

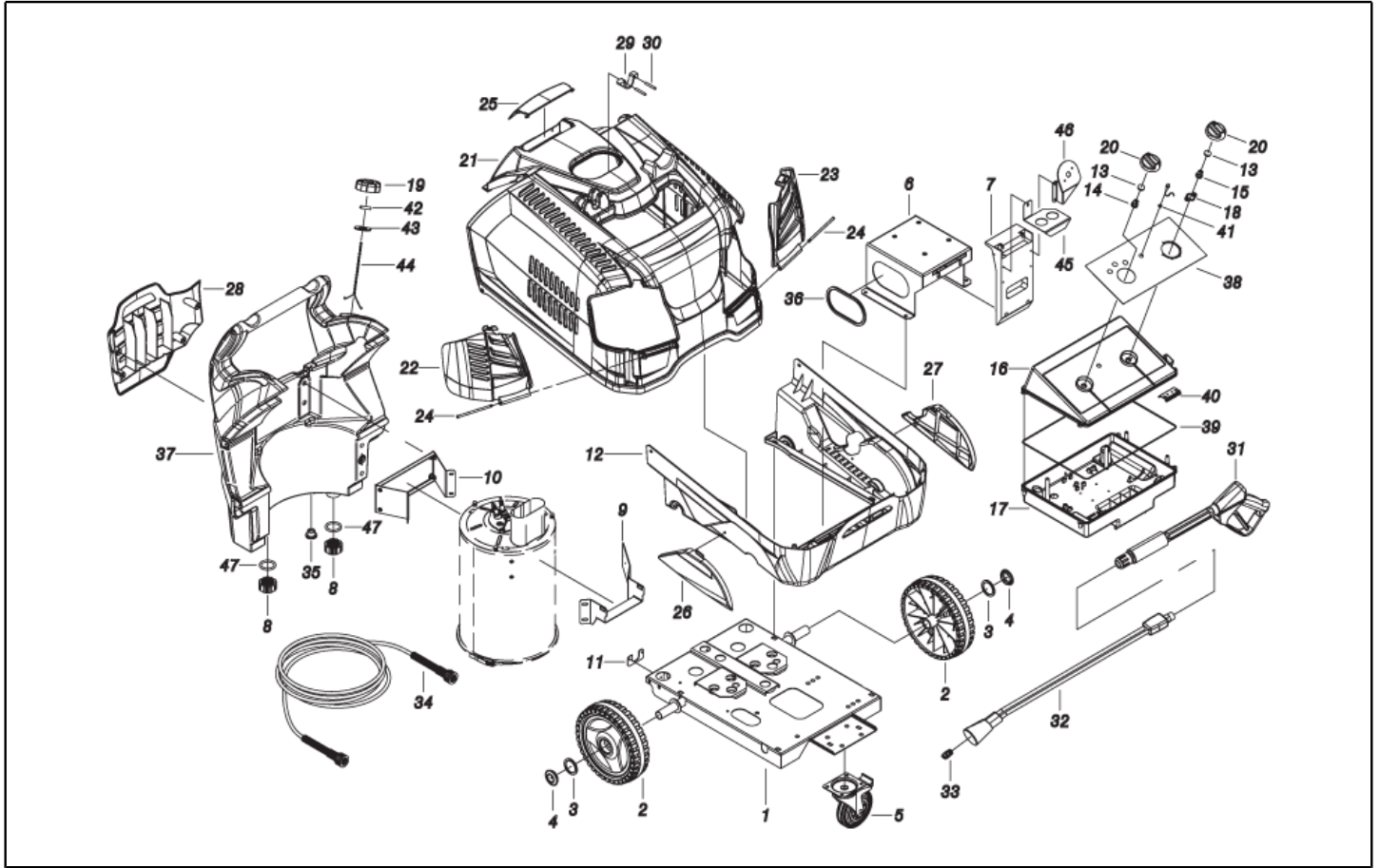


IPC

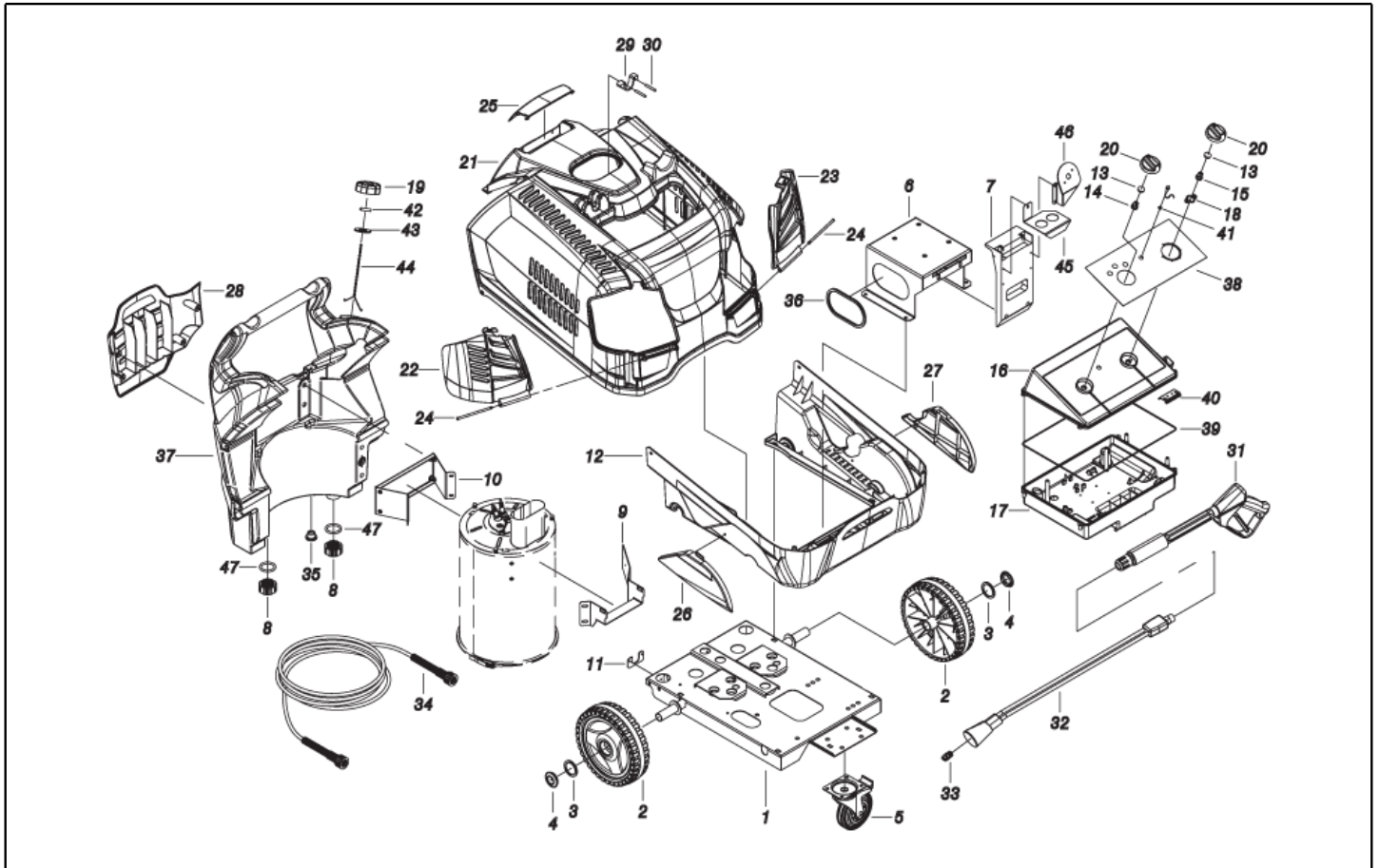
Spare Parts List

Ref: IDAC50817

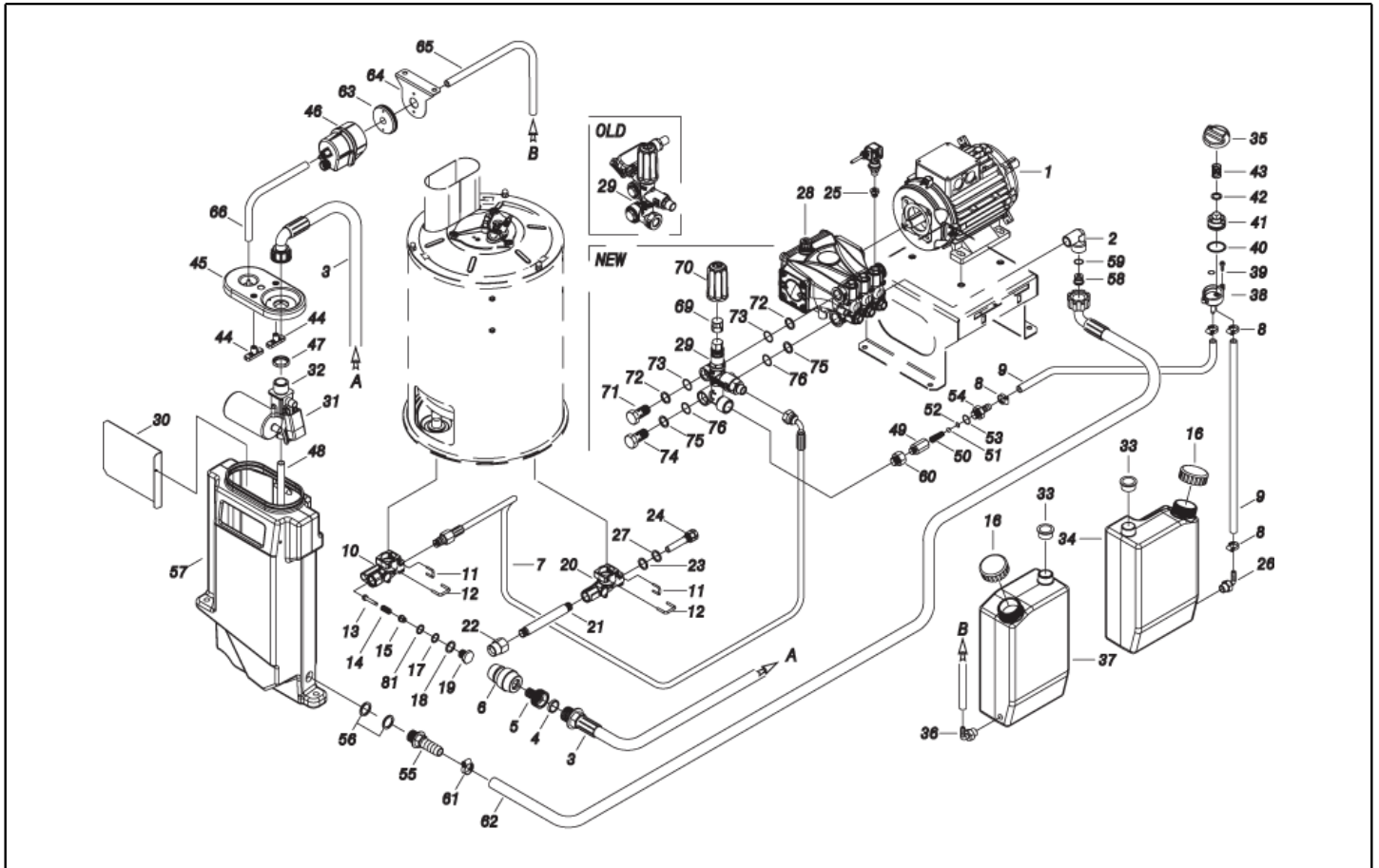
Model: PWH 170/13 TRB X



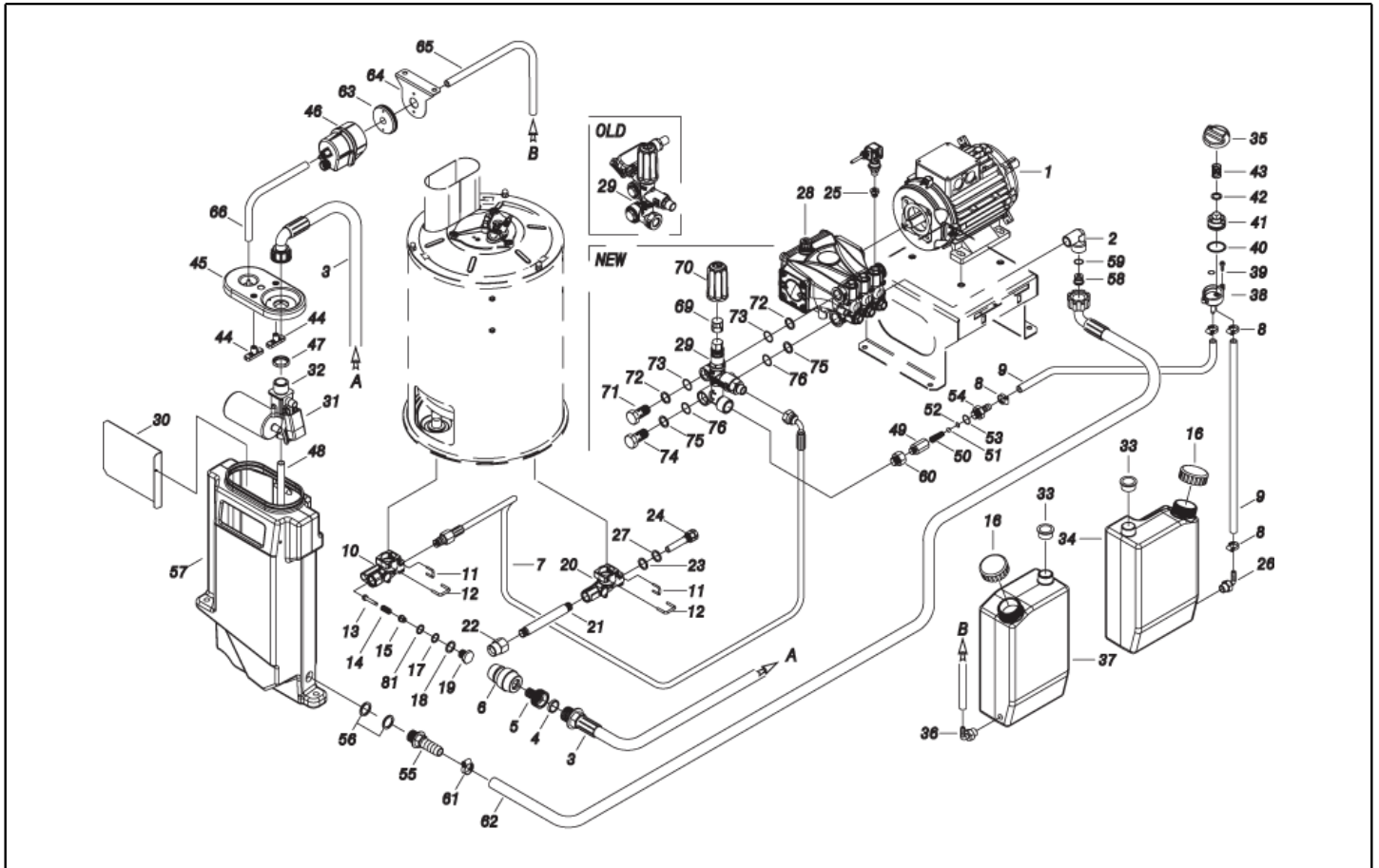
| Ref. K | Part N. | Customer Part N. | Description | Quantity | Validity | | Price |
|--------|-----------|------------------|--|----------|------------|------------|-------|
| | | | | | From | To | |
| 0001 | LAFN40703 | | CHARIOT PW-H28/3W BK. | 1,00 | | | -- |
| 0002 | RTRT40041 | | ROUE D.250-D.25X 65 RES BK. | 2,00 | | 14/09/2015 | -- |
| 0002 | RTRT40043 | | ROUE D.250-D.25X 65 RES BK/GRN | 2,00 | 15/09/2015 | | -- |
| 0003 | VTRS09813 | 00009813 | RONDELLE D.25 | 2,00 | | | -- |
| 0004 | MPVR40734 | | ENJOLIVEUR D.50 G-48/IPC GR.368C | 2,00 | | | -- |
| 0005 | RTRT47975 | 00047975 | ROUE PIVOTTANTE D.100 P MZ.PLS. | 1,00 | | | -- |
| 0006 | LAFN40710 | | SUPPORT MOTEUR PW-H28 5.5HP ZC. | 1,00 | | | -- |
| 0007 | MPVR33534 | 00033534 | SUPPORT BOITE MST PA 66 | 1,00 | | | -- |
| 0008 | MPVR20187 | 00020187 | FRETTE M 39 X 3 | 2,00 | | | -- |
| 0009 | LAFN40705 | | SUPPORT PW-H28 MPU ZC. | 1,00 | | | -- |
| 0010 | LAFN40706 | | BRIDE PW-H28 MPU ZC | 1,00 | | | -- |
| 0011 | LAFN40707 | | BRIDE PW-H28 ZC | 1,00 | | | -- |
| 0012 | MPVR40685 | | COUVERTURE NOIR PW-H28 INF.PP | 1,00 | | | -- |
| 0013 | GUGO25527 | 00025527 | O-RING D. 14 X 3 NBR 70SH | 2,00 | | | -- |
| 0014 | MPVR23482 | 00023482 | TALON TEC. TUV | 1,00 | | | -- |
| 0015 | MPVR23484 | 00023484 | TALON THERM.KSM TUV | 1,00 | | | -- |
| 0016 | MPVR40753 | | COUVERCLE BOITE PW-H28 ABS BK. C/F.Led | 1,00 | | | -- |
| 0017 | MPVR40690 | | BOITE CONTROLE PW-H28 ABS BK. | 1,00 | | | -- |
| 0018 | MPVR41903 | 00041903 | EPAISSEUR TERM.IM.PA66 | 1,00 | | | -- |
| 0019 | MPVR40401 | | BOUCHON RESERV. P176 PEHD BL. C/F. | 1,00 | | | -- |
| 0020 | MPVR49057 | 00049057 | POIGNEE NOIRE P176-M.RACE PA6 | 2,00 | | | -- |
| 0021 | MPVR40678 | | COUVERTURE VERT PW-H28 SUP.PP GR.368C | 1,00 | | | -- |
| 0022 | MPVR40680 | | GUICHET PW-H28 DX PPL V.368C | 1,00 | | | -- |
| 0023 | MPVR40682 | | GUICHET PW-H28 SX PPL V.368C | 1,00 | | | -- |
| 0024 | MPVR40692 | | PIVOT PW-H28 PP V.368C | 2,00 | | | -- |
| 0025 | MPVR40684 | | GUICHET PW-H28 PPL V.368C Pst | 1,00 | | | -- |
| 0026 | MPVR40686 | | GUICHET PW-H28 PPL BK.INF.DX | 1,00 | | | -- |
| 0027 | MPVR40687 | | GUICHET PW-H28 PPL BK.INF.SX | 1,00 | | | -- |
| 0028 | MPVR40688 | | PORTE-OUTIL PW-H28 PP BK. | 1,00 | | | -- |
| 0029 | MPVR40485 | | CAOUTCHOUC PW-H35 15-20BK. | 1,00 | | | -- |
| 0030 | MPVR40534 | | PIVOT PW-H35 PP BK. | 2,00 | | | -- |
| 0031 | IPPR40010 | | POIGNEE G 5100+P.330 +M22 SW.M V | 1,00 | | 29/02/2016 | -- |
| 0031 | IPPR40020 | | POIGNEE G 6000+P.330 +M22 SW.M V | 1,00 | 01/03/2016 | | -- |
| 0032 | LCPR40087 | | RALLONGE P 70 -P20.IX700 M22 M | 1,00 | | | -- |
| 0033 | UGLN40000 | | BUSE LECH 1/4 15034 | 1,00 | | | -- |
| 0034 | TBAP25324 | 00025324 | TUYAU H.P. R1 MT 10 5/16" C/2 IRV ZC | 1,00 | | | -- |
| 0035 | RCVR40146 | | BOUCHON 3/8 M OT.NIK EI 8 +OR | 1,00 | | | -- |
| 0036 | GUVR13437 | 00013437 | BORD H=10 | 0,43 | | | -- |
| 0037 | MPVR40676 | | RESERVOIR PW-H28 PE BK. | 1,00 | | | -- |
| 0038 | ETET40757 | | ETICHETTE PW-H28 PLC Ser. | 1,00 | | | -- |
| 0039 | GUGO33675 | 00033675 | JOINT MOUSSE D. 4 | 1,30 | | | -- |
| 0040 | LAFN46067 | 00046067 | SUPPORT L.60 P176 | 1,00 | | | -- |
| 0041 | GUGO40058 | | JOINT D. 7.7-11 X1 NBR 70SH | 1,00 | | | -- |
| 0042 | LAFN40498 | | PIVOT D. 6 X 12-15 IX | 1,00 | | | -- |



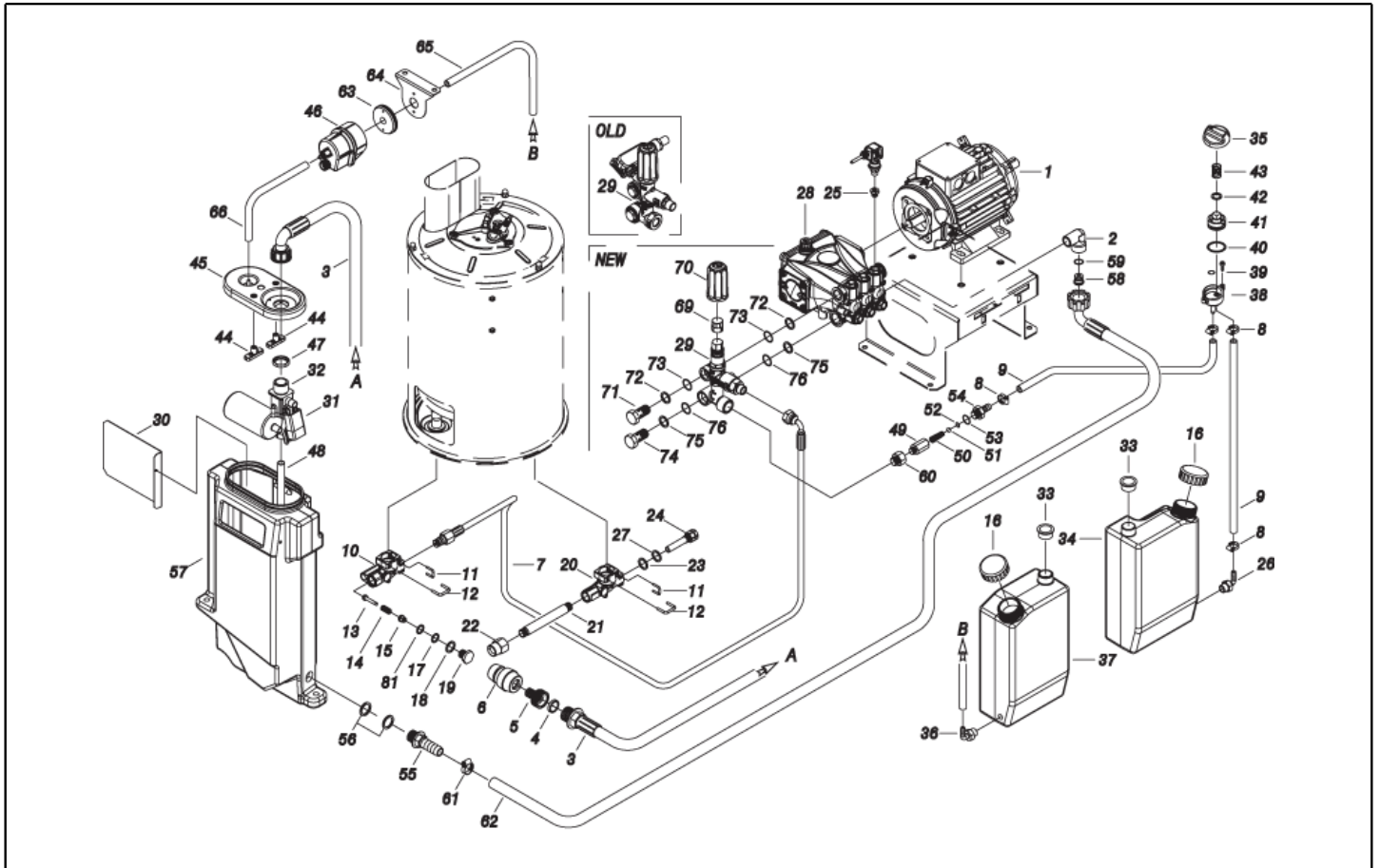
| Ref. K | Part N. | Customer Part N. | Description | Quantity | Validity | | Price |
|--------|-----------|------------------|------------------------------------|----------|------------|----|-------|
| | | | | | From | To | |
| 0043 | VTRS07728 | 00007728 | RONDELLE D. 6 INX | 1,00 | | | -- |
| 0044 | VTVR40026 | | CHAINETTE 13MG. INX L=220 G.V-MSC. | 1,00 | | | -- |
| 0045 | LAFN40731 | | BRIDE PW-H28 ZC. | 1,00 | | | -- |
| 0046 | LAFN40721 | | SUPPORT PW-H28 ZC | 1,00 | | | -- |
| 0047 | GUGO40074 | | O-RING D. 37.47 X 5.34 NBR 70SH | 2,00 | 01/07/2016 | | -- |



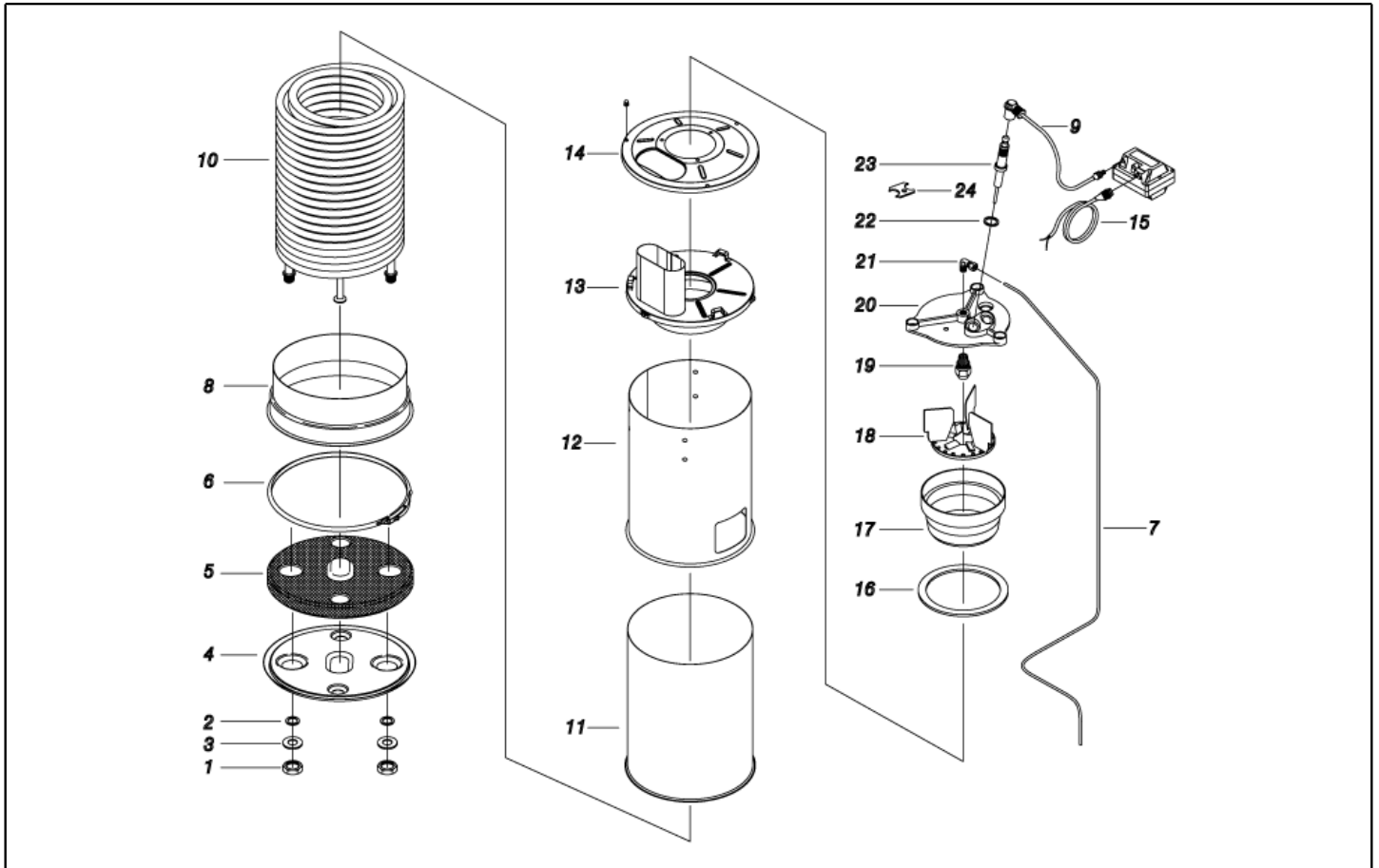
| Ref. K | Part N. | Customer Part N. | Description | Quantity | Validity | | Price |
|--------|-------------|------------------|------------------------------------|----------|------------|------------|-------|
| | | | | | From | To | |
| 0001 | MOTR40043 | | MOTEUR 3PH H35 HP 5.5 400-50 2P ED | 1,00 | | | -- |
| 0002 | RCVR40153 | | COUDE 3/4"-1/2" M OT. | 1,00 | | | -- |
| 0003 | TBBP40085 | | TUYAU B.P. L=1060 3/4F90°-3/4M 0° | 1,00 | | | -- |
| 0004 | FTDT12702 | 00012702 | FILTRE PA | 1,00 | | | -- |
| 0005 | RCVR29600 | 00029600 | PRISE PTC 3/4 F | 1,00 | | | -- |
| 0006 | RCVR29602 | 00029602 | RACCORD D. 1/2"-5/8" PTC | 1,00 | | | -- |
| 0007 | TBAP40166 | | TUYAU 1/ 4 RACC L=645 R1 PW-H28 | 1,00 | | | -- |
| 0008 | FSVR00427 | 00000427 | COLLIER D. 12 CLIC 66-110 | 2,00 | | | -- |
| 0008 | FSVR00427 | 00000427 | COLLIER D. 12 CLIC 66-110 | 2,00 | | | -- |
| 0009 | TBBP00051 | 00000051 | TUYAU DETERGENT D. 6-12 | 0,65 | | | -- |
| 0009 | TBBP00051 | 00000051 | TUYAU DETERGENT D. 6-12 | 0,35 | | | -- |
| 0010 | S MFVR40062 | | RACCORD PW-H28 AL. INL. | 1,00 | | | -- |
| 0011 | LAFN37625 | 00037625 | GOUPILLE "U" T-STOP PRM INX | 2,00 | | | -- |
| 0012 | LAFN87846 | 00087846 | GOUPILLE "U" P191 INX | 2,00 | | | -- |
| 0013 | S RCDS40215 | | PETIT PISTON V.SC. P191/200 OT. | 1,00 | | | -- |
| 0014 | S MLML40035 | | RESSORT D. 8.8X21 X2.5 INX | 1,00 | | | -- |
| 0015 | S RCDS40214 | | DOUILLE V.SC. P191/200 OT. | 1,00 | | | -- |
| 0016 | MPVR40756 | | BOUCHON BAC KSM C/F. | 1,00 | | | -- |
| 0016 | MPVR40756 | | BOUCHON BAC KSM C/F. | 1,00 | | | -- |
| 0017 | S GUGO37529 | 00037529 | O-RING D. 5.23 X 2.62 NBR 70SH | 1,00 | | | -- |
| 0018 | S GUGO25527 | 00025527 | O-RING D. 14 X 3 NBR 70SH | 1,00 | | | -- |
| 0019 | S RCDS87757 | 00087757 | BOUCHON SOUPAPE P191 OT. | 1,00 | | | -- |
| 0019 | UGBR18630 | 00018630 | GIGLEUR BRULEUR 0.75 45 A | 1,00 | | 31/08/2016 | -- |
| 0020 | MFVR40063 | | RACCORD PW-H28 AL. OUT. | 1,00 | | | -- |
| 0021 | RCDS40210 | | RACCORD L= 58 2X3/8M CN. ZC. | 1,00 | | | -- |
| 0022 | RCIN03753 | 00003753 | RACCORD MALE M22-3/8 M-FA | 1,00 | | | -- |
| 0023 | GUGO27030 | 00027030 | O-RING D. 6 X 3 VIT 70SH | 1,00 | | | -- |
| 0024 | RCDS40211 | | RECUPERATION PW-H28 D.15 OT. | 1,00 | | | -- |
| 0025 | PVVR40183 | | BOUCHON AR RC C/F. 1/8F+OR | 1,00 | | | -- |
| 0026 | RCVR89548 | | RACC. P. TUYAU "L" 1/8M D.7 OT.NK | 1,00 | | | -- |
| 0027 | VTRS40025 | | RONDELLE D. 6.6X11.75X2 OT. | 1,00 | | | -- |
| 0028 | PPAP40100 | | POMPE RCS 11.17 DX ND | 1,00 | | | -- |
| 0029 | VVAZ40066 | | SOUPAPE VRZ-RC +TSS L.90 SI | 1,00 | | 29/02/2016 | -- |
| 0029 | VVAZ40079 | | SOUPAPE VRF-2 AR-R PPr S/I. | 1,00 | 01/03/2016 | | -- |
| 0030 | LAFN40732 | | PANNEAU PW-H28 INX | 1,00 | | | -- |
| 0031 | RCGR60703 | 00060703 | FLOTTEUR MTM 3/4 PP. S/F. | 1,00 | | | -- |
| 0032 | MPVR88419 | | ADAPTEUR P245 PA6 BK. | 1,00 | | | -- |
| 0033 | MPVR18582 | 00018582 | BOUCHON D.22 | 1,00 | | | -- |
| 0033 | MPVR18582 | 00018582 | BOUCHON D.22 | 1,00 | | | -- |
| 0034 | MPVR40706 | | RESERVOIR PW-H28 PEHD NT. | 1,00 | | | -- |
| 0035 | MPVR25533 | 00025533 | POIGNEE GRIS PRT-AC | 1,00 | | | -- |
| 0036 | RCVR40151 | | RACC. P. TUYAU "L" 1/8M D.5 OT.NIK | 1,00 | | | -- |
| 0037 | MPVR40707 | | BAC PW-H28 PEHD NT. | 1,00 | | | -- |
| 0038 | RCGR08069 | 00008069 | CORPS ROBINET DET. PRT | 1,00 | | | -- |



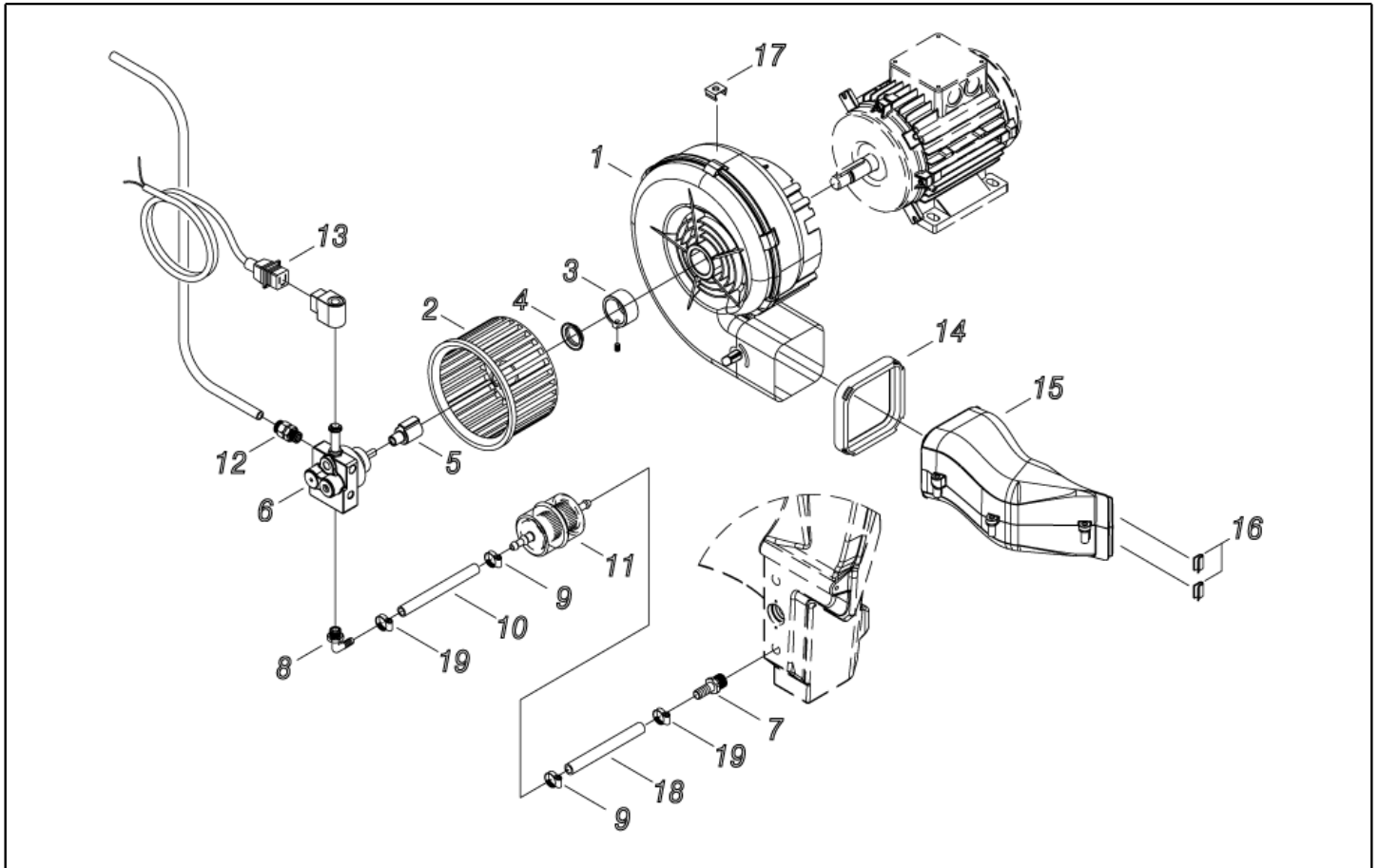
| Ref. K | Part N. | Customer Part N. | Description | Quantity | Validity | | Price |
|--------|-----------|------------------|--------------------------------------|----------|------------|------------|-------|
| | | | | | From | To | |
| 0039 | GUGO08071 | 00008071 | O-RING D. 4.48 X 1.78 NBR 70SH | 1,00 | | | -- |
| 0040 | GUGO12183 | 00012183 | O-RING D. 23.4 X 3.53 VIT 70SH | 1,00 | | | -- |
| 0041 | RCGR08070 | 00008070 | REGULATEUR PRT | 1,00 | | | -- |
| 0042 | VTRS00542 | 00000542 | RONDELLE D.14X20 | 1,00 | | | -- |
| 0043 | MLML08068 | 00008068 | RESSORT D.1,5 L.23 | 1,00 | | | -- |
| 0044 | MPVR89078 | | PLAQUETTE P190 PA6 BL. | 2,00 | | | -- |
| 0045 | MPVR40516 | | COUVERC.RES. P190-35 PA6 BL. | 1,00 | | | -- |
| 0046 | MEPD22718 | 00022718 | POMPE DOSEUSE NME-1 220V CPL. | 1,00 | | | -- |
| 0047 | RCVR49974 | 00049974 | FRETTE 3/4" X 4 NIK | 1,00 | | | -- |
| 0048 | TBBP07631 | 00007631 | TUYAU B.P. D.10-14 | 0,08 | | 14/06/2016 | -- |
| 0048 | TBBP40105 | | TUYAU B.P. D.12-17 CRISTALL | 0,08 | 15/06/2016 | | -- |
| 0049 | RCDS46072 | 00046072 | CORPS VALVE N/R 1/4F-1/4 P176 OT | 1,00 | | | -- |
| 0050 | MLML21505 | 00021505 | RESSORT D. 8 X5 X0.3 | 1,00 | | | -- |
| 0051 | SFVR04274 | 00004274 | BILLE D. 7/32 | 1,00 | | | -- |
| 0052 | GUGO01055 | 00001055 | O-RING D. 5.28 X 1.78 VIT 70SH | 1,00 | | | -- |
| 0053 | GUGO01036 | 00001036 | O-RING D. 10.82 X 1.78 NBR 70SH | 1,00 | | | -- |
| 0054 | RCDS10546 | 00010546 | SIEGE SOUPAPE 1/4M + PG. D.3-7.5 OTT | 1,00 | | | -- |
| 0055 | RCVR40154 | | RACC. P. TUYAU PPL D.19 -G.1/2M | 1,00 | | | -- |
| 0056 | GUGO40060 | | JOINT D. 21.0-33 X 2.5 EPDM | 2,00 | | | -- |
| 0057 | MPVR40705 | | RESERVOIR EAU PW-H28 PEHD NT. | 1,00 | | | -- |
| 0058 | MPVR40741 | | BUSE A EAU PW-H28 D. 6 PVC | 1,00 | | 30/06/2015 | -- |
| 0058 | MPVR40742 | | BUSE A EAU PW-H28 D. 7 PVC | 1,00 | 01/07/2015 | | -- |
| 0059 | GUGO01060 | 00001060 | O-RING D. 9.92 X 2.62 NBR 70SH | 1,00 | | | -- |
| 0060 | RCVR02606 | 00002606 | REDUCTION 1/2-1/4 M/F | 1,00 | | | -- |
| 0061 | FSVR00431 | 00000431 | COLLIER D. 16-25 | 1,00 | | | -- |
| 0062 | TBBP40086 | | TUYAU B.P. L=290 3/4F 90° -LIB.19X26 | 1,00 | | | -- |
| 0063 | MPVR44324 | 00044324 | SUPPORT NM1-P105 PVC | 1,00 | | | -- |
| 0064 | LAFN40720 | | SUPPORT A.CALC. PW-H28 ZC | 1,00 | | | -- |
| 0065 | TBBP00058 | 00000058 | TUYAU B.P. D. 4- 7 | 0,26 | | | -- |
| 0066 | TBBP85832 | 00085832 | TUYAU B.P. D. 5- 8 | 0,50 | | | -- |
| 0066 | FSVR40008 | | COLLIER D. 13.5 CLIC | 1,00 | | | -- |
| 0069 | PVVR40273 | | ADAPTATEUR VRF-2 RG. | 1,00 | 01/03/2016 | | -- |
| 0070 | MPVR40589 | | POIGNEE NOIRE ST 260 IPC | 1,00 | 01/03/2016 | | -- |
| 0071 | RCDS40172 | | VIS CREUSE 3/8 VRF-2 OT 4F. | 1,00 | 01/03/2016 | | -- |
| 0072 | VTRS00548 | 00000548 | RONDELLE D.17,5X23X1,5 (3/8)RM | 2,00 | 01/03/2016 | | -- |
| 0073 | GUGO03510 | 00003510 | O-RING D. 12.37 X 2.62 NBR 70SH | 2,00 | 01/03/2016 | | -- |
| 0074 | RCDS40171 | | VIS CREUSE G 1/2 VRF-2 OT. 2F. | 1,00 | 01/03/2016 | | -- |
| 0075 | VTRS00549 | 00000549 | RONDELLE D.21,5X27X1,5 (1/2) RM | 1,00 | 01/03/2016 | | -- |
| 0076 | GUGO01048 | 00001048 | O-RING D. 15.88 X 2.62 NBR 70SH | 2,00 | 01/03/2016 | | -- |



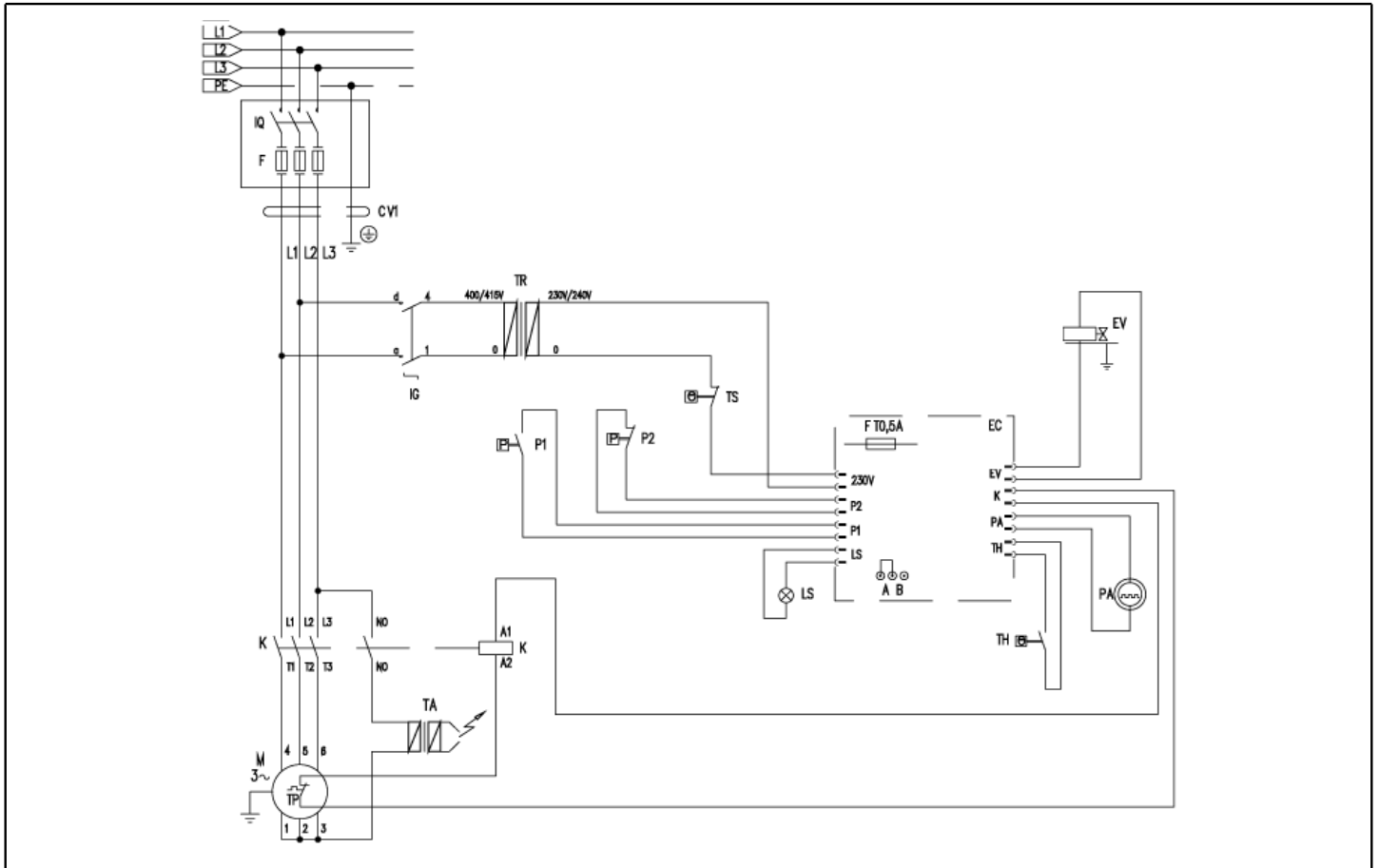
| Ref. Part N. | Cust. Part N. | Description | Reference | Price |
|--------------|---------------------------|-------------|------------------------------------|-------|
| KTRI40482 | KIT P 14- 65 PW-H28 200b. | | 0010 0013 0014 0015 0017 0018 0019 | -- |



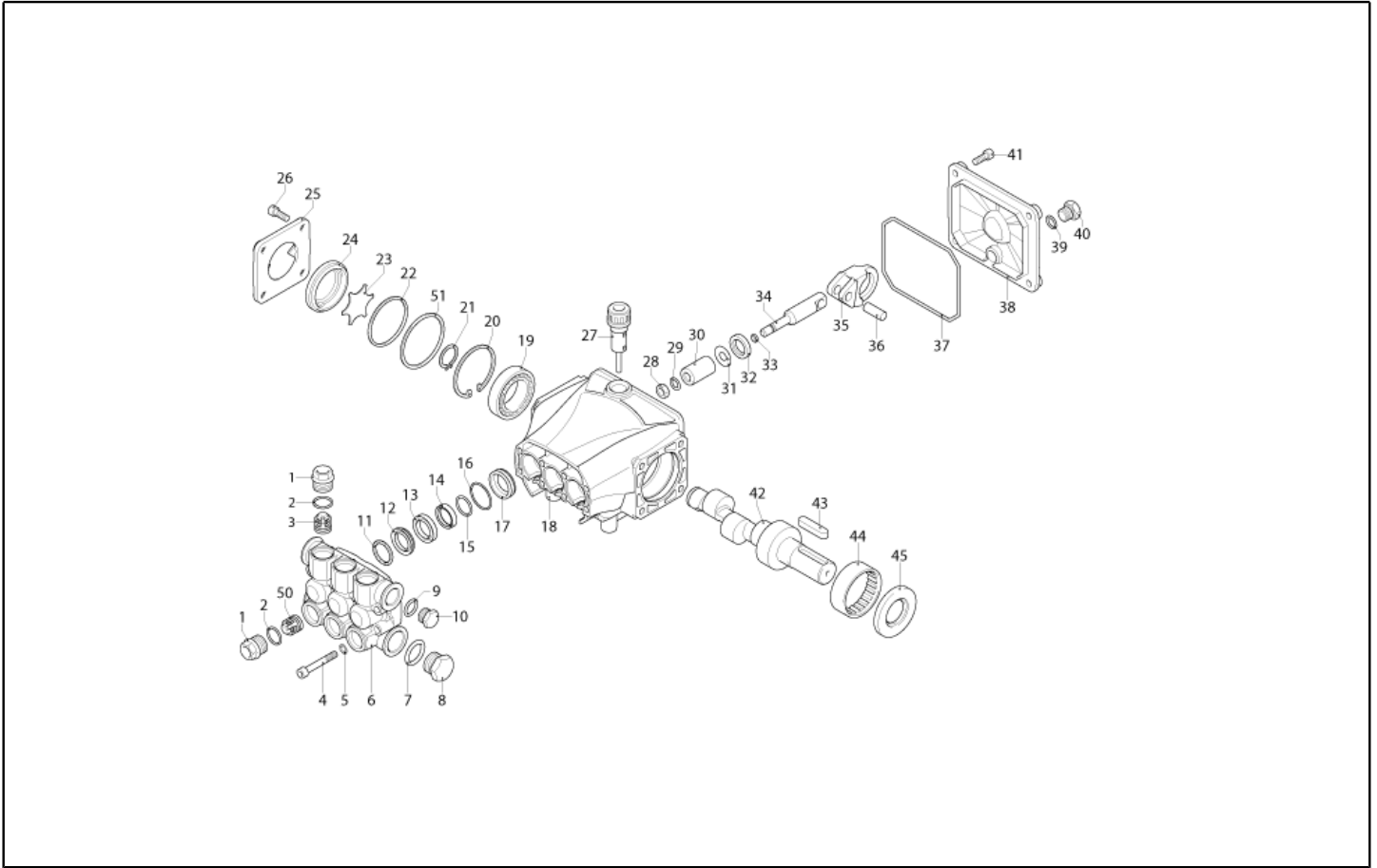
| Ref. K | Part N. | Customer Part N. | Description | Quantity | Validity | | Price |
|--------|-----------|------------------|---|----------|------------|------------|-------|
| | | | | | From | To | |
| 0001 | RCDS40208 | | FRETTE M 27 X 1,5 ZC | 2,00 | | | -- |
| 0002 | GUGO40059 | | O-RING D. 16 X 4 VIT 70SH | 2,00 | | | -- |
| 0003 | GUVR21021 | 00021021 | BAGUE ANTIEXTR. D. 21 X17 TEF. | 2,00 | | | -- |
| 0004 | LAFN48448 | 00048448 | FOND CHAUDIERE KSM 2V. ZN | 1,00 | | | -- |
| 0005 | ITTE48373 | 00048373 | FOND KSM C.TE | 1,00 | | | -- |
| 0006 | LAFN20108 | 00020108 | BAGUE D.298 KSM | 1,00 | | | -- |
| 0007 | TBCO40061 | | TUYAU GASOIL PW-H28/5.5 D. 4 IX | 1,00 | | | -- |
| 0008 | LAFN48368 | 00048368 | BANDE KSM 2V. INX | 1,00 | | | -- |
| 0009 | MECV35334 | 00035334 | CABLE A.T. 9.8-23KOHM/M L= 400P | 2,00 | | | -- |
| 0010 | LAGR40031 | | SERPENTIN DOUB. M27X1.5 H28 26MT. SP.2.35 | 1,00 | | | -- |
| 0011 | LAFN40576 | | CYLINDRE EXT. MPU-26 INX | 1,00 | | | -- |
| 0012 | LAFN40575 | | CYLINDRE INT. MPU-26 CP.INX | 1,00 | | | -- |
| 0013 | LAFN40711 | | COUVERCLE CHAUD MPU.150 INX | 1,00 | | | -- |
| 0014 | LAFN40580 | | COUVERCLE CHAUD MPU INX | 1,00 | | | -- |
| 0015 | MECB34463 | 00034463 | CABLE BT L=800 SP. FD | 1,00 | | | -- |
| 0016 | GUVR25775 | 00025775 | JOINT D. 105/88 X 3 | 1,00 | | | -- |
| 0017 | LAFN20055 | 00020055 | PORTE D.NETT. KSM | 1,00 | | | -- |
| 0018 | LAFN30294 | 00030294 | DEFLECTEUR KSM/AGN | 1,00 | | | -- |
| 0019 | UGBR18630 | 00018630 | GIGLEUR BRULEUR 0.75 45 A | 1,00 | 05/12/2016 | | -- |
| 0019 | UGBR40002 | | GIGLEUR BRULEUR 0.75 45 HFD | 1,00 | 01/09/2016 | 04/12/2016 | -- |
| 0020 | MFVR88612 | | PORTE-ELECTRODE KSM 1/8CN. | 1,00 | | | -- |
| 0021 | RCVR08954 | 00008954 | COUDE 1/8"-4 B5 | 1,00 | | | -- |
| 0022 | VTRS07941 | 00007941 | RONDELLE D.11.3X15X1.5 RM | 2,00 | | | -- |
| 0023 | MECA18232 | 00018232 | ELECTRODE L=101.5 KSM | 2,00 | | | -- |
| 0024 | LAFN20123 | 00020123 | PLAQUETTE KSM INX | 1,00 | | | -- |



| Ref. K | Part N. | Customer Part N. | Description | Quantity | Validity | | Price |
|--------|-----------|------------------|--|----------|----------|----|-------|
| | | | | | From | To | |
| 0001 | MPVR26987 | 00026987 | COQUILLE KSM CPL. | 1,00 | | | -- |
| 0002 | VEVR20128 | 00020128 | HELICE KSM D.140 29P. PA66 | 1,00 | | | -- |
| 0003 | RCDS20417 | 00020417 | DOUILLE KSM | 1,00 | | | -- |
| 0004 | LAFN21890 | 00021890 | DOUILLE D. 25 | 1,00 | | | -- |
| 0005 | FGGT49223 | 00049223 | JOINT KSM/P190 2V. PP | 1,00 | | | -- |
| 0006 | PPGS40011 | | POMPE FUEL DNF BFA 01R3L1 | 1,00 | | | -- |
| 0007 | RCVR40113 | | RACC. P. TUYAU 1/8 M D. 5- 7 NIK | 1,00 | | | -- |
| 0008 | RCVR72873 | 00072873 | RACC. P. TUYAU "L" 1/4M - D.7 OT.NK | 1,00 | | | -- |
| 0009 | FSVR11197 | 00011197 | COLLIER D.I. 11 13315 | 2,00 | | | -- |
| 0010 | TBCO06945 | 00006945 | TUYAU B.P. D. 6-12 10BAR C.PRESS | 0,11 | | | -- |
| 0011 | FTCO10912 | 00010912 | FILTRE FB 13/T NYL. | 1,00 | | | -- |
| 0012 | RCVR14014 | 00014014 | RACCORD BI-CONE DTT 1/8"M B1 D. 2/ 4 NIK | 1,00 | | | -- |
| 0013 | MECB41542 | 00041542 | CABLE DLT L= 700 | 1,00 | | | -- |
| 0014 | GUGO20124 | 00020124 | GARNITURE KSM | 1,00 | | | -- |
| 0015 | MPVR40697 | | TAPIS DE TRANS. KM-H28/MPU. 2PZ. | 1,00 | | | -- |
| 0016 | MPVR21415 | 00021415 | AGRAFE KSM | 2,00 | | | -- |
| 0017 | VTVR20127 | 00020127 | AGRAFE KSM | 5,00 | | | -- |
| 0018 | TBCO06945 | 00006945 | TUYAU B.P. D. 6-12 10BAR C.PRESS | 0,60 | | | -- |
| 0019 | FSVR00427 | 00000427 | COLLIER D. 12 CLIC 66-110 | 1,00 | | | -- |



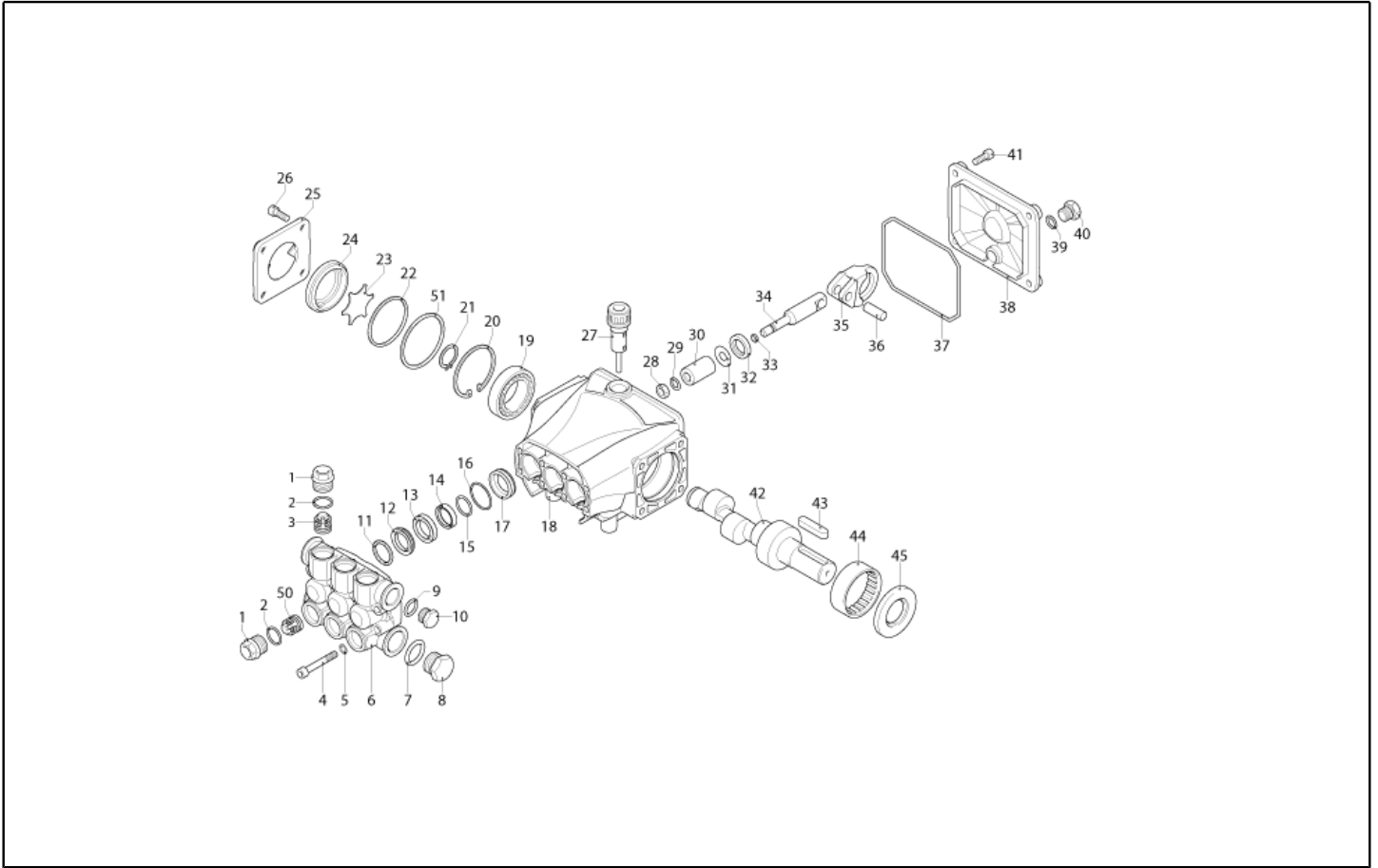
| Ref. K | Part N. | Customer Part N. | Description | Quantity | Validity | | Price |
|--------|-----------|------------------|--|----------|------------|------------|-------|
| | | | | | From | To | |
| K | METT40009 | | TELERUPTEUR SIE 3RT 2016-1AP01 230V | 1,00 | | | -- |
| EC | MECE40042 | | PLATINE PW-H28 T-ST PREMIUM/DS | 1,00 | | 29/02/2016 | -- |
| EC | MECE40050 | | PLATINE PW-H28 T-ST PREMIUM/DS 2P | 1,00 | 01/03/2016 | | -- |
| EV | MEBE43705 | 00043705 | BOBINE DNF 220-50 | 1,00 | | | -- |
| IG | MECI40020 | | INTERRUPTEUR BRM BP. 0-1 12A | 1,00 | 01/03/2016 | | -- |
| IG | MECI40033 | | INTERRUPTEUR GTK BP. 0-1 16(8)A | 1,00 | | 29/02/2016 | -- |
| LS | MELF40003 | | AMPOULE LED RD. 6V H8TT RR FL 06 | 1,00 | | | -- |
| TA | METR88630 | | TRANSFORMATEUR 23/240V-5/60HZ 2X26KV TR. | 1,00 | | | -- |
| TH | METK40014 | | THERMOSTAT 40-154° L=1200 NT/133 | 1,00 | | | -- |
| TR | METR40016 | | TRANSFORMATEUR 35VA 0-400/230 5/60HZ PMA | 1,00 | | | -- |
| TS | METK40007 | | THERMOSTAT 65°C NSP-040 PT RIPR. | 1,00 | | | -- |
| CV1 | MECB40002 | | CABLE H07 RNF 4X1.5 L=6.500 | 1,00 | | | -- |
| P1,2 | MEPF40014 | | PRESSOSTAT PR 5 1/8M 25BAR RD. | 2,00 | 01/03/2016 | | -- |



| Ref. K | Part N. | Customer Part N. | Description | Quantity | Validity | | Price |
|--------|-------------|------------------|----------------------------------|----------|------------|------------|-------|
| | | | | | From | To | |
| 0001 | PVVR40120 | | BOUCHON AR RC | 6,00 | | | -- |
| 0002 | GUGO03505 | 00003505 | O-RING D. 15.6 X 1.78 NBR 70SH | 6,00 | | | -- |
| 0003 | S VVAM40002 | | ENSEMBL. CLAPET RC | 3,00 | | | -- |
| 0004 | VTVT06236 | 00006236 | VIS TCCE UNI 5931 6X40 ZB | 8,00 | | | -- |
| 0005 | VTRS01077 | 00001077 | RONDELLE D. 6,4X10X0,7 | 8,00 | | | -- |
| 0006 | MFVR40026 | | CULASSE AR RCS OT. | 1,00 | | | -- |
| 0007 | GUGO19245 | 00019245 | O-RING D. 17.5 X 2 NBR 70SH | 1,00 | | | -- |
| 0008 | PVVR40121 | | BOUCHON 1/2 M RC | 1,00 | | | -- |
| 0009 | GUGO09720 | 00009720 | O-RING D. 14 X 1.78 NBR 70SH | 1,00 | | | -- |
| 0010 | PVVR40099 | | BOUCHON 3/8 M HRM | 1,00 | | | -- |
| 0011 | S PVVR40158 | | BAGUE DE TETE D. 15 RCS | 3,00 | | | -- |
| 0012 | S GUVR40028 | | BAGUE D'ETANCH. D. 15 XJS | 3,00 | | | -- |
| 0013 | PVVR40159 | | BAGUE INTERMED. D. 15 RCS | 3,00 | | | -- |
| 0014 | S GUVR40041 | | BAGUE D'ETANCH. D. 15 RCS L.P. | 3,00 | | | -- |
| 0015 | S GUVR40042 | | BAGUE ANTIEXTR. D.15 | 3,00 | | | -- |
| 0016 | S GUGO08182 | 00008182 | O-RING D. 21.91 X 1.78 NBR 70SH | 3,00 | | | -- |
| 0017 | PVVR40160 | | BAGUE P.GARNIT. D. 15 RCS | 3,00 | | | -- |
| 0018 | MFVR40027 | | CARTER POMPE AR RCS | 1,00 | | | -- |
| 0019 | CUVR28336 | 00028336 | ROULEM.A BILLES 6304 | 1,00 | | | -- |
| 0020 | VTAE09661 | 00009661 | BAGUE D'ARRET D. 52 UNI 7437 | 1,00 | | | -- |
| 0021 | VTAE06193 | 00006193 | BAGUE D'ARRET D. 20 UNI 7435 | 1,00 | | | -- |
| 0022 | GUGO02561 | 00002561 | O-RING D. 47.3 X 2.62 NBR 70SH | 1,00 | | | -- |
| 0023 | PVVR40125 | | DISQUE RC | 1,00 | | | -- |
| 0024 | PVVR40126 | | VOYANT HUILE RC | 1,00 | | | -- |
| 0025 | MFVR40021 | | COUVERCLE CART. AR RC LT. | 1,00 | | | -- |
| 0026 | VTVT01531 | 00001531 | VIS TE 6X 16 UNI 5739 | 4,00 | | | -- |
| 0027 | PVVR19231 | 00019231 | BOUCHON HUILE XTS | 1,00 | | 31/03/2014 | -- |
| 0027 | PVVR40436 | | BOUCHON HUILE RC | 1,00 | 01/04/2014 | | -- |
| 0028 | VTDD00483 | 00000483 | ECROU M 8 ZIN UNI 5588 | 3,00 | | | -- |
| 0029 | VTRS19394 | 00019394 | RONDELLE D. 8X13X0,5 | 3,00 | | | -- |
| 0030 | S PIVR19232 | 00019232 | PISTON D. 15 XTS | 3,00 | | | -- |
| 0031 | PVVR19233 | 00019233 | DISQUE XTS | 3,00 | | | -- |
| 0032 | S GUGO09690 | 00009690 | JOINT SPI 15X 24X 5 NBR70 | 3,00 | | | -- |
| 0033 | GUGO08071 | 00008071 | O-RING D. 4.48 X 1.78 NBR 70SH | 3,00 | | | -- |
| 0034 | PVVR40127 | | TIGE DE PISTON RC | 3,00 | | | -- |
| 0035 | BLVR40001 | | BIELLE RC | 3,00 | | | -- |
| 0036 | PVVR40128 | | CHEVILLE-GOUJON D. 9X23 RC | 3,00 | | | -- |
| 0037 | GUGO18695 | 00018695 | O-RING D. 101.27 X 2.62 NBR 70SH | 1,00 | | | -- |
| 0038 | MFVR40022 | | COUVERCLE CART. AR RC | 1,00 | | | -- |
| 0039 | GUGO01036 | 00001036 | O-RING D. 10.82 X 1.78 NBR 70SH | 1,00 | | | -- |
| 0040 | PVVR40129 | | BOUCHON 1/4 M RC | 1,00 | | | -- |
| 0041 | VTVT09913 | 00009913 | VIS TCEI 6X16 UNI5931 | 4,00 | | | -- |
| 0042 | ALMO40036 | | ARBRE AR RCS 11LT VRS. ND | 1,00 | | | -- |
| 0043 | VTVR41531 | 00041531 | CLAVETTE 8X 7X35 UNI 6604A | 1,00 | | | -- |



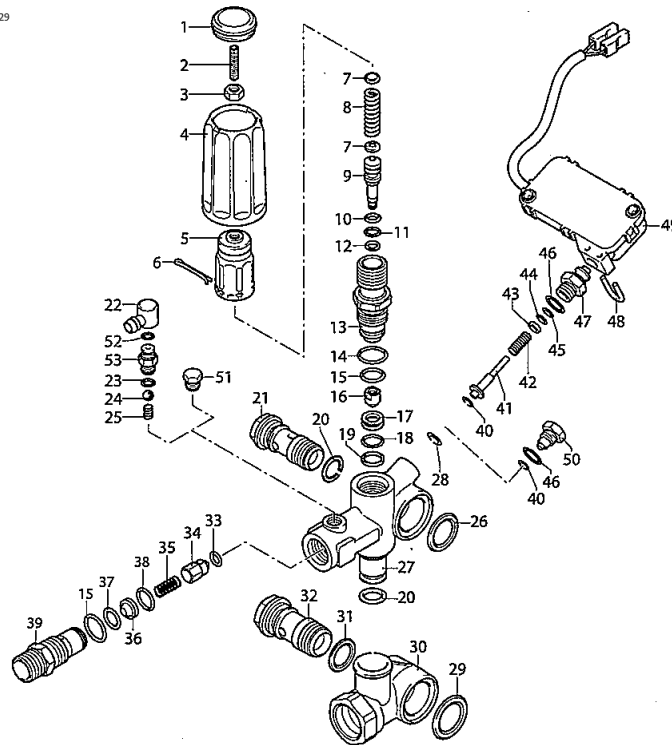
| Ref. K | Part N. | Customer Part N. | Description | Quantity | Validity | | Price |
|--------|-------------|------------------|----------------------------|----------|------------|----|-------|
| | | | | | From | To | |
| 0044 | CUVR23636 | 00023636 | ROULEM.A ROUL. HK 4516 | 1,00 | | | -- |
| 0045 | S GUGO00999 | 00000999 | JOINT SPI 25X 52X 7 NBR70 | 1,00 | | | -- |
| 0050 | S VVAM40007 | | ENSEMBL. CLAPET RC ASP. BK | 3,00 | | | -- |
| 0051 | PVVR40437 | | BAGUE D. 51.8 X0.5 | 1,00 | 01/04/2014 | | -- |



| Ref. Part N. | Cust. Part N. | Description | Reference | Price |
|--------------|---------------|-------------------------------|---------------------|-------|
| KTRI40096 | | KIT P 15-42918 RC | 0032 0045 | -- |
| KTRI40139 | | KIT P 15-42920 D.15 RCS | 0030 | -- |
| KTRI40140 | | KIT P 15-42921 D.15 RCS | 0012 0014 0015 0016 | -- |
| KTRI40141 | | KIT P 15-2191 D.15 RCS | 0011 | -- |
| KTRI40207 | | KIT P 15-42914 RC 3+3 BL./WH. | 0003 0050 | -- |

VRZ TSS + ID

KIT F = pos. 10 11 14 15 18 19 20 23 28 29
31 33 37 38 40 44 45 46

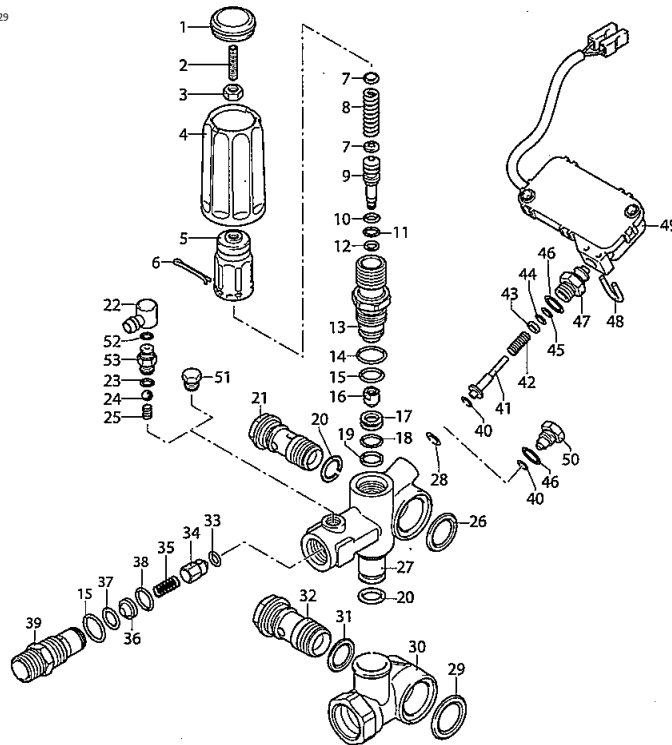


UN_00_4104-FR

| Ref. K | Part N. | Customer Part N. | Description | Quantity | Validity | | Price |
|--------|-------------|------------------|--------------------------------------|----------|------------|------------|-------|
| | | | | | From | To | |
| 0001 | PVVR40241 | | BOUCHON VRC-BM | 1,00 | | | -- |
| 0002 | VTVT40051 | | VIS STEI M 6X25 | 1,00 | | | -- |
| 0003 | PVVR40292 | | ECROU AR | 1,00 | | | -- |
| 0004 | PVVR40418 | | POIGNEE VRZ | 1,00 | | | -- |
| 0005 | PVVR40236 | | POIGNEE M.MT/4B | 1,00 | | | -- |
| 0006 | VTVR40025 | | GOUPILLE D. 2.6X15 | 1,00 | | | -- |
| 0007 | PVVR40067 | | COUPELLE RESS. AR XJS | 2,00 | | | -- |
| 0008 | PVVR40419 | | RESSORT VALVOLA VRZ | 1,00 | | | -- |
| 0009 | PVVR40420 | | PISTON VRC-BM | 1,00 | | | -- |
| 0010 | S GUGO40046 | | O-RING D. 6.02 X 2.62 NBR 90SH | 1,00 | | | -- |
| 0011 | S GUGO12489 | 00012489 | O-RING D. 6.07 X 1.78 NBR 70SH | 1,00 | | | -- |
| 0012 | GUVR40072 | | BAGUE ANTIEXTR. D. 6.5X 9.4 | 1,00 | | | -- |
| 0013 | PVVR40421 | | TIGE DE PISTON VRZ | 1,00 | | | -- |
| 0014 | S GUGO03505 | 00003505 | O-RING D. 15.6 X 1.78 NBR 70SH | 1,00 | | | -- |
| 0015 | S GUGO11652 | 00011652 | O-RING D. 12.42 X 1.78 NBR 70SH | 2,00 | | | -- |
| 0016 | PVVR40423 | | OBTURATEUR AR VRZ | 1,00 | | | -- |
| 0017 | PVVR40424 | | SIEGE SOUPAPE AR VRZ | 1,00 | | | -- |
| 0018 | S GUGO19194 | 00019194 | O-RING D. 11.11 X 1.78 NBR 70SH | 1,00 | | | -- |
| 0019 | S GUVR40085 | | BAGUE ANTIEXTR. D. 14 X11,8X1 | 1,00 | | | -- |
| 0020 | S GUGO01047 | 00001047 | O-RING D. 11.91 X 2.62 NBR 70SH | 2,00 | | | -- |
| 0021 | RCDS40068 | | VIS CREUSE G 3/8 M.MATIC 4/B OT. | 1,00 | | | -- |
| 0026 | GUGO40057 | | O-RING D. 20.29 X 2.62-NBR 70SH | 1,00 | | | -- |
| 0027 | PVVR40427 | | CORPS VALVE VRZ | 1,00 | | | -- |
| 0028 | S GUGO40031 | | O-RING D. 3.39 X 1.78 NBR 70SH | 1,00 | | | -- |
| 0029 | S GUGO76542 | 00076542 | O-RING D. 23.47 X 2.62 NBR 70SH | 1,00 | | | -- |
| 0030 | PVVR40428 | | CORPS VALVOLA VRZ | 1,00 | | | -- |
| 0031 | S GUGO01058 | 00001058 | O-RING D. 17.17 X 1.78 NBR 70SH | 1,00 | | | -- |
| 0032 | RCDS40070 | | VIS CREUSE G 1/2 M.MATIC 4/B | 1,00 | | | -- |
| 0033 | S GUGO12494 | 00012494 | O-RING D. 4 X 2.5 -NBR 70SH | 1,00 | | | -- |
| 0034 | PVVR40422 | | OBTURATEUR AR VRZ | 1,00 | | | -- |
| 0035 | PVVR40252 | | RESSORT VRC-BM | 1,00 | | | -- |
| 0039 | RCDS40192 | | NIPPLE G 3/8 VRZ | 1,00 | | | -- |
| 0040 | S GUVR40084 | | BAGUE ANTIEXTR. PARBAK 8-007 | 1,00 | | 31/01/2016 | -- |
| 0040 | S GUVR40094 | | BAGUE ANTIEXTR. D. 4.2X 7 X1 PTFE+BZ | 1,00 | 01/02/2016 | | -- |
| 0041 | PVVR40425 | | TIGE D.CONTROLE AR TSS VRZ | 1,00 | | 31/01/2016 | -- |
| 0041 | S PVVR40470 | | TIGE D.CONTROLE AR TSS VRZ.Evo | 1,00 | 01/02/2016 | | -- |
| 0042 | PVVR40429 | | RESSORT VALVOLA VRZ | 1,00 | | | -- |
| 0043 | PVVR40430 | | RONDELLE VALVOLA VRZ | 1,00 | | | -- |
| 0044 | S GUGO19207 | 00019207 | O-RING D. 1.78 X 1.78 NBR 70SH | 1,00 | | | -- |
| 0045 | S GUVR40086 | | BAGUE ANTIEXTR. D. 4,9X 2 X1,3 | 1,00 | | | -- |
| 0046 | S GUGO06988 | 00006988 | O-RING D. 7.66 X 1.78 NBR 70SH | 1,00 | | | -- |
| 0047 | PVVR40431 | | RACCORD VALVOLA VRZ | 1,00 | | | -- |
| 0048 | LAFN40212 | | GOUPILLE "U" AR TSS | 1,00 | | | -- |
| 0049 | PVVR40433 | | PRESSOSTAT TTS VRZ marc. AB | 1,00 | | | -- |

VRZ TSS + ID

KIT F = pos. 10 11 14 15 18 19 20 23 28 29
31 33 37 38 40 44 45 46

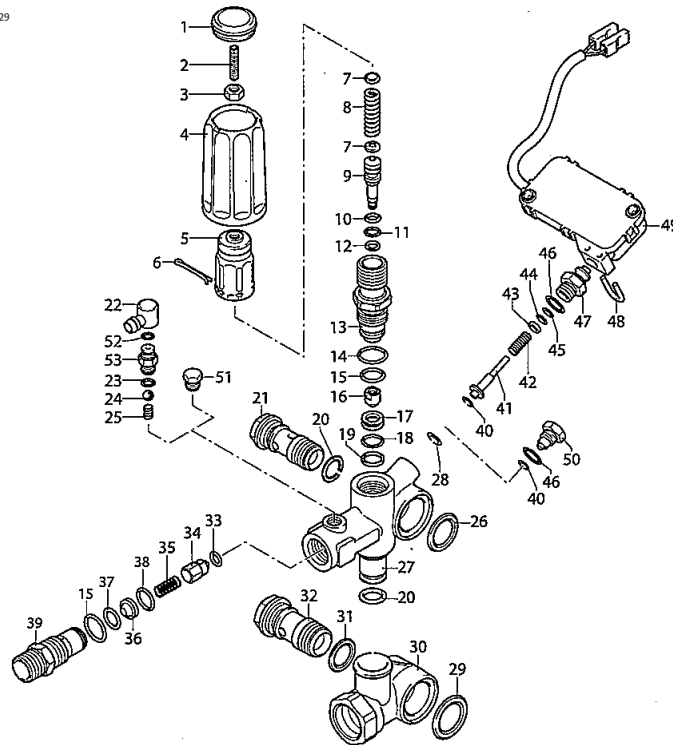


UN_00_4104-FR

| Ref. K | Part N. | Customer Part N. | Description | Quantity | Validity | | Price |
|--------|-----------|------------------|---------------|----------|----------|----|-------|
| | | | | | From | To | |
| 0051 | RCDS19214 | 00019214 | BOUCHON 1/8 M | 1,00 | | | -- |

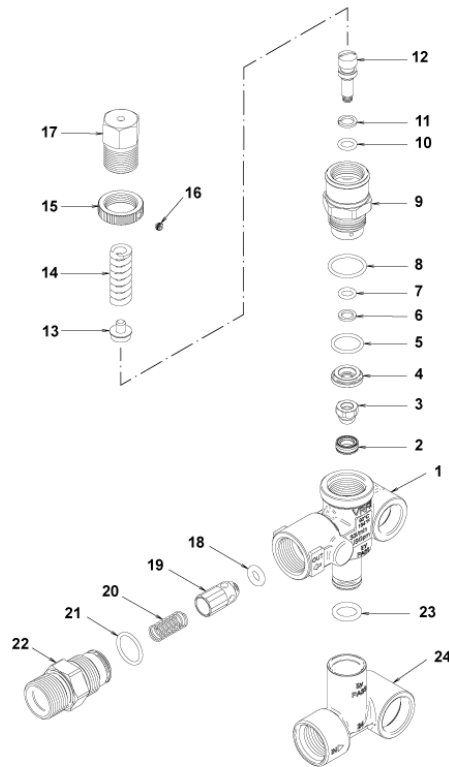
VRZ TSS + ID

KIT F = pos. 10 11 14 15 18 19 20 23 28 29
31 33 37 38 40 44 45 46

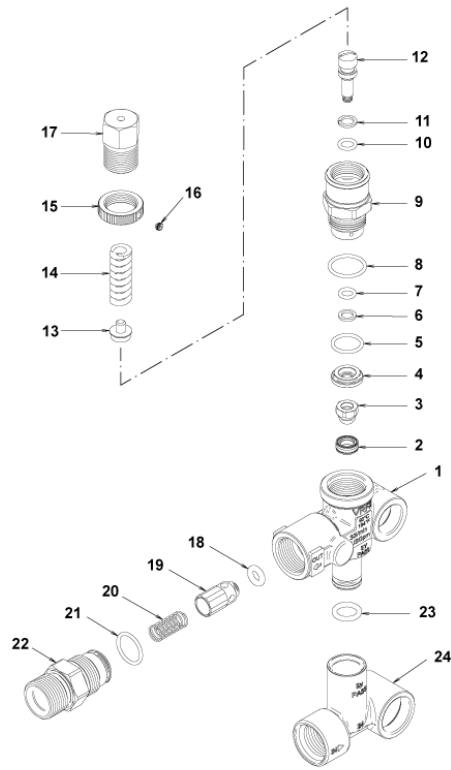


UN_00_4104-FR

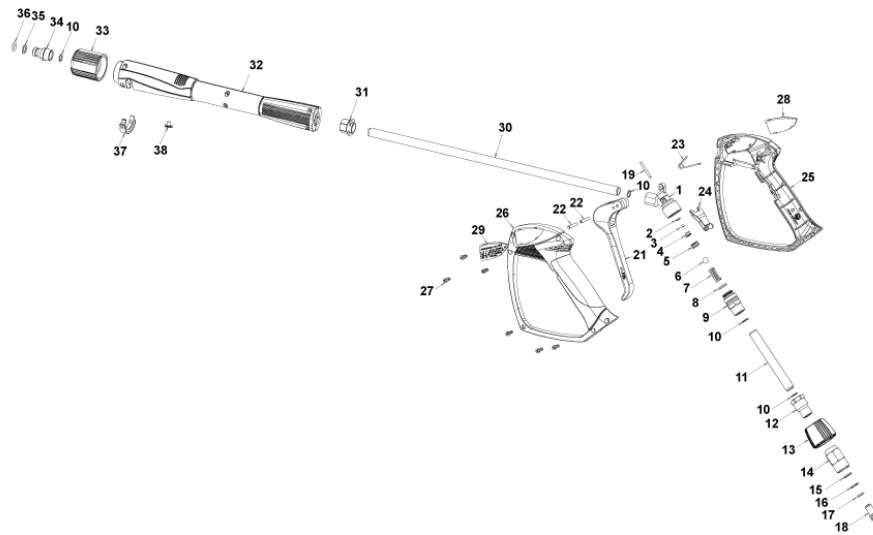
| Ref. Part N. | Cust. Part N. | Description | Reference | Price |
|--------------|---------------|------------------------------|--|-------|
| KTRI40394 | | KIT P 14-43234 VRZ.Evo | 0028 0040 0041 | -- |
| F KTRI40293 | | KIT P SET O-RING VALVOLA VRZ | 0010 0011 0014 0015 0018 0019 0020 0023 0028 0029 0031 0033 0037 0038 0040 0044 0045 0046 | -- |



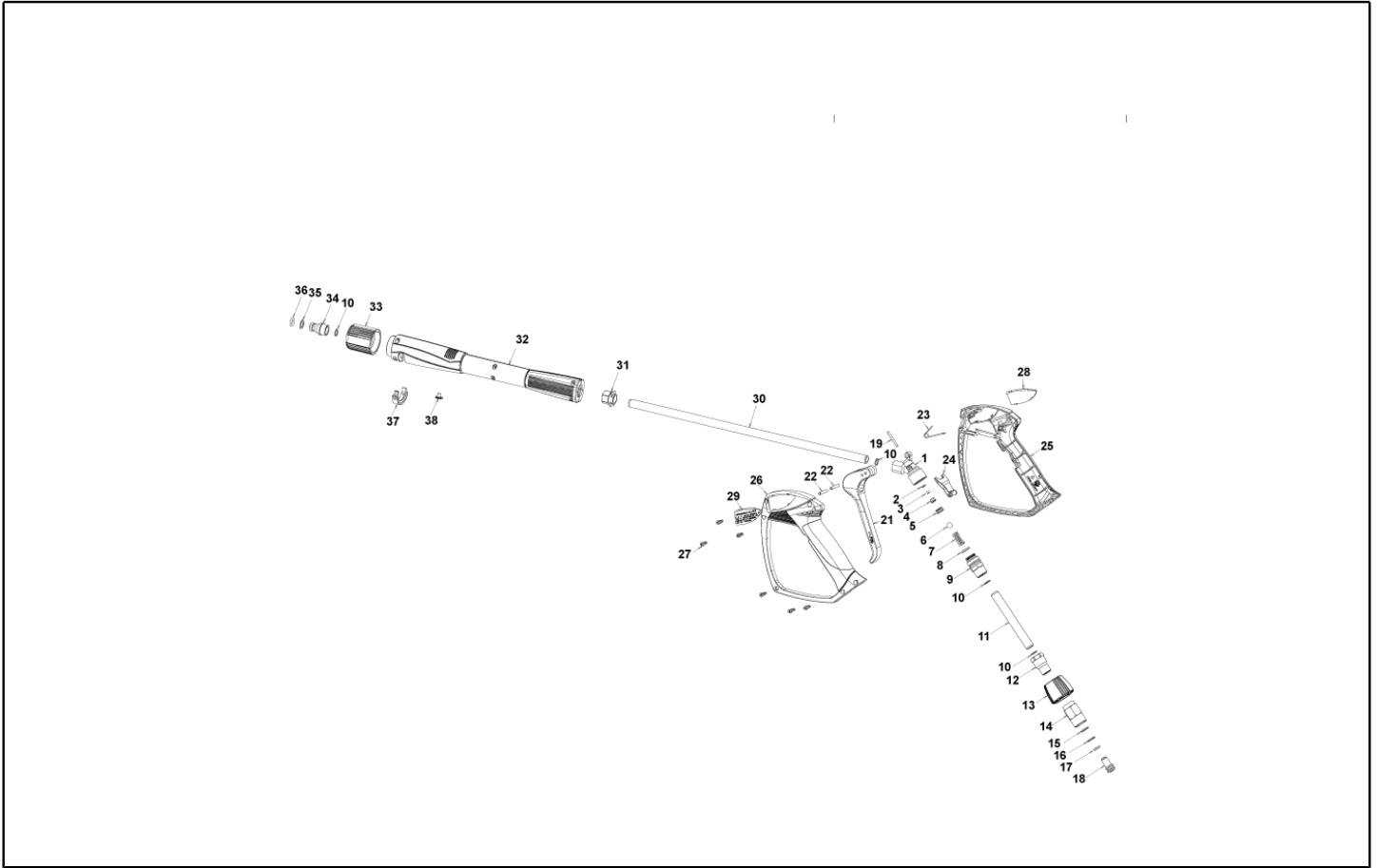
| Ref. K | Part N. | Customer Part N. | Description | Quantity | Validity | | Price |
|--------|-------------|------------------|------------------------------------|----------|----------|----|-------|
| | | | | | From | To | |
| 0001 | PVVR40375 | | CORPS VALVE VRF2 +G1/8 F | 1,00 | | | -- |
| 0002 | S PVVR40363 | | SIEGE SOUPAPE MV124 +OR | 1,00 | | | -- |
| 0003 | S PVVR40364 | | OBTURATEUR MV124 | 1,00 | | | -- |
| 0004 | S PVVR40365 | | ENTRETOISE MV124 | 1,00 | | | -- |
| 0005 | S GUGO12322 | 00012322 | O-RING D. 14 X 1.78 NBR 90SH | 1,00 | | | -- |
| 0006 | S GUVR40072 | | BAGUE ANTIEXTR. D. 6.5X 9.4 | 1,00 | | | -- |
| 0007 | S GUGO83861 | | O-RING D. 6.07 X 1.78 NBR 90SH | 1,00 | | | -- |
| 0008 | S GUGO24913 | 00024913 | O-RING D. 17.17 X 1.78 NBR 90SH | 1,00 | | | -- |
| 0009 | S PVVR40366 | | RACCORD VRF2 D.10 | 1,00 | | | -- |
| 0010 | S GUGO03500 | 00003500 | O-RING D. 6.75 X 1.78 NBR 70SH | 1,00 | | | -- |
| 0011 | S GUVR40073 | | BAGUE ANTIEXTR. D. 7.1X10 X1.2 TBT | 1,00 | | | -- |
| 0012 | S PVVR40367 | | PETIT PISTON D.10 VRF2 | 1,00 | | | -- |
| 0013 | PVVR40368 | | COUPELLE RESS. MV124 25B | 1,00 | | | -- |
| 0014 | MLML40027 | | RESSORT D. 3.0/6.0 X38.85 | 1,00 | | | -- |
| 0015 | PVVR40369 | | FRETTE MV167.09 | 1,00 | | | -- |
| 0016 | VTVT89696 | | VIS EI-ST 4X 4 UNI5927 ZC | 1,00 | | | -- |
| 0017 | PVVR40370 | | CAPUCHON VRF2 M18X1 | 1,00 | | | -- |
| 0018 | S GUGO46053 | 00046053 | O-RING D. 6 X 3 NBR 90SH | 1,00 | | | -- |
| 0019 | S PVVR40349 | | OBTURATEUR VRT3 | 1,00 | | | -- |
| 0020 | S MLML40026 | | RESSORT VRT3 | 1,00 | | | -- |
| 0021 | S GUGO12321 | 00012321 | O-RING D. 15.6 X 1.78 NBR 90SH | 1,00 | | | -- |
| 0022 | PVVR40525 | | RACCORD VRT3 G 3/8M | 1,00 | | | -- |
| 0023 | S GUGO11225 | 00011225 | O-RING D. 10.78 X 2.62 NBR 70SH | 1,00 | | | -- |
| 0024 | PVVR40373 | | RACCORD VRF2.24 | 1,00 | | | -- |



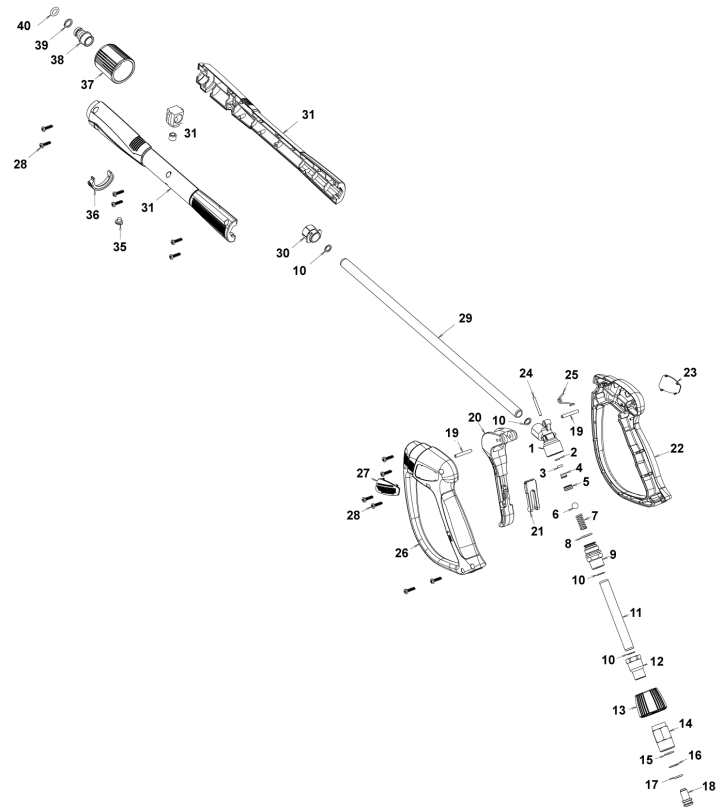
| Ref. Part N. | Cust. Part N. | Description | Reference | Price |
|--------------|---------------|------------------------|---|-------|
| KTRI40236 | | KIT P 14-103 VRF2 | 0002 0003 0004 0005 0006 0007 0008 0009 0010 0011 0012 0018 0019 0020 0021 | -- |
| KTRI40237 | | KIT P 14-104 SEAL VRF2 | 0002 0003 0005 0006 0007 0008 0010 0011 0018 0021 | -- |



| Ref. K | Part N. | Customer Part N. | Description | Quantity | Validity | | Price |
|--------|-------------|------------------|-----------------------------------|----------|----------|----|-------|
| | | | | | From | To | |
| 0001 | PVVR40381 | | CORPS PISTOLET G 5100 G1/4F | 1,00 | | | -- |
| 0002 | S GUVR40074 | | BAGUE ANTIEXTR. D. 3 X 7.4X1.3 | 1,00 | | | -- |
| 0003 | S GUGO21835 | 00021835 | O-RING D. 2.84 X 2.62 VIT. 80SH | 1,00 | | | -- |
| 0004 | PVVR40382 | | TIGE DE PISTON G 5100 | 1,00 | | | -- |
| 0005 | S PVVR40112 | | SIEGE BILLE G 5000 | 1,00 | | | -- |
| 0006 | S SFVR27026 | 00027026 | BILLE D. 11/32" INX | 1,00 | | | -- |
| 0007 | MLML40016 | | RESSORT D. 9.4 x21.5x1.6 G5000 | 1,00 | | | -- |
| 0008 | GUGO12322 | 00012322 | O-RING D. 14 X 1.78 NBR 90SH | 1,00 | | | -- |
| 0009 | PVVR40383 | | RACCORD COLL. G5100 1/4F | 1,00 | | | -- |
| 0010 | VTRS40017 | | RONDELLE D. 8.2X11,4X1,00 | 4,00 | | | -- |
| 0011 | PVVR40384 | | TUYAU G 1/4" L.105 | 1,00 | | | -- |
| 0012 | RCIN40022 | | RACCORD SWIV G5100 1/4F | 1,00 | | | -- |
| 0013 | MPVR40486 | | FRETTE G 5100 SW. GR. | 1,00 | | | -- |
| 0014 | RCIN40021 | | BRANCHEMENT SWIV 5100 M22 | 1,00 | | | -- |
| 0015 | S GUVR40075 | | BAGUE ANTIEXTR. D. 10 X14X1.5 | 1,00 | | | -- |
| 0016 | S GUVR40076 | | BAGUE ANTIEXTR. D. 11.2X14X1.2 | 1,00 | | | -- |
| 0017 | S GUGO15295 | 00015295 | O-RING D. 10.82 X 1.78 VIT 80SH | 1,00 | | | -- |
| 0018 | PVVR40386 | | VIS SW. G 5100 | 1,00 | | | -- |
| 0019 | PVVR40387 | | PETIT PISTON G 5100 | 1,00 | | | -- |
| 0021 | MPVR40487 | | GACHETTE G 5100-SW | 1,00 | | | -- |
| 0022 | VTVR40047 | | GOUPILLE D. 4X29 | 2,00 | | | -- |
| 0023 | MLML40029 | | RESSORT G 5100 | 1,00 | | | -- |
| 0024 | MPVR40488 | | DISP.D.SECURITE G 5100-SW | 1,00 | | | -- |
| 0025 | MPVR40489 | | COQUILLE G 5100-SW DX | 1,00 | | | -- |
| 0026 | MPVR40490 | | COQUILLE G 5100-SW SX | 1,00 | | | -- |
| 0027 | VTVT40043 | | VIS AF 4X 14 HILO ZN.N | 6,00 | | | -- |
| 0028 | MPVR40491 | | PLAQUE G 5100 GR.DX | 1,00 | | | -- |
| 0029 | MPVR40492 | | PLAQUE G 5100 GR.SX | 1,00 | | | -- |
| 0030 | LCPR40086 | | TUYAU 1/4 L=420 ZC. 0° | 1,00 | | | -- |
| 0031 | MPVR40493 | | RACCORD G 5100-SW | 1,00 | | | -- |
| 0032 | MPVR40494 | | PROTECTION P 420 C/AN. | 1,00 | | | -- |
| 0033 | PVVR40119 | | RONDELLE M22X1,5 IRV G5000 | 1,00 | | | -- |
| 0034 | RCIN40009 | | CHEVILLE-GOUJON G 1/4 F IRV G5000 | 1,00 | | | -- |
| 0035 | GUVR40034 | | BAGUE ANTIEXTR. D. 10 X14 | 1,00 | | | -- |
| 0036 | GUGO01946 | 00001946 | O-RING D. 9.13 X 2.62 VIT 70SH | 1,00 | | | -- |
| 0037 | MPVR40495 | | BOUCHON G 5100 REM. | 1,00 | | | -- |
| 0038 | MPVR40198 | | BOUCHON G 5000 | 1,00 | | | -- |



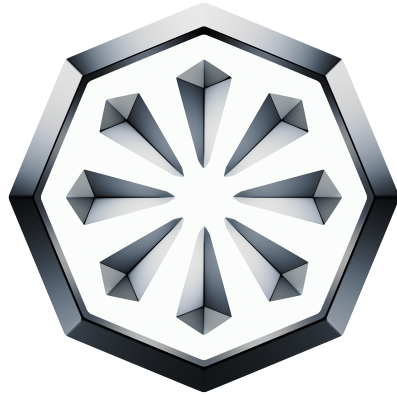
| Ref. Part N. | Cust. Part N. | Description | Reference | Price |
|--------------|---------------|----------------------------|---------------------|-------|
| KTRI40242 | | KIT P 26- 25 G 5100 | 0002 0003 0005 0006 | -- |
| KTRI40243 | | KIT P 26- 26 SWIVEL G 5100 | 0015 0016 0017 | -- |



| Ref. K | Part N. | Customer Part N. | Description | Quantity | Validity | | Price |
|--------|-------------|------------------|-----------------------------------|----------|----------|----|-------|
| | | | | | From | To | |
| 0001 | PVVR40381 | | CORPS PISTOLET G 5100 G1/4F | 1,00 | | | -- |
| 0002 | S GUVR40074 | | BAGUE ANTIEXTR. D. 3 X 7.4X1.3 | 1,00 | | | -- |
| 0003 | S GUGO21835 | 00021835 | O-RING D. 2.84 X 2.62 VIT. 80SH | 1,00 | | | -- |
| 0004 | PVVR40382 | | TIGE DE PISTON G 5100 | 1,00 | | | -- |
| 0005 | S PVVR40112 | | SIEGE BILLE G 5000 | 1,00 | | | -- |
| 0006 | S SFVR40002 | | BILLE D.11/32" ALL.GR16 | 1,00 | | | -- |
| 0007 | MLML40016 | | RESSORT D. 9.4 x21.5x1.6 G5000 | 1,00 | | | -- |
| 0008 | GUGO12322 | 00012322 | O-RING D. 14 X 1.78 NBR 90SH | 1,00 | | | -- |
| 0009 | PVVR40383 | | RACCORD COLL.G5100 1/4F | 1,00 | | | -- |
| 0010 | VTRS40017 | | RONDELLE D. 8.2X11,4X1.00 | 4,00 | | | -- |
| 0011 | PVVR40384 | | TUYAU G 1/4" L.105 | 1,00 | | | -- |
| 0012 | RCIN40022 | | RACCORD SWIV G5100 1/4F | 1,00 | | | -- |
| 0013 | MPVR40819 | | FRETTE G 5100 SW. BK. | 1,00 | | | -- |
| 0014 | RCIN40021 | | BRANCHEMENT SWIV 5100 M22 | 1,00 | | | -- |
| 0015 | S GUVR40075 | | BAGUE ANTIEXTR. D. 10 X14X1.5 | 1,00 | | | -- |
| 0016 | S GUVR40076 | | BAGUE ANTIEXTR. D. 11.2X14X1.2 | 1,00 | | | -- |
| 0017 | S GUGO15295 | 00015295 | O-RING D. 10.82 X 1.78 VIT 80SH | 1,00 | | | -- |
| 0018 | PVVR40386 | | VIS SW. G 5100 | 1,00 | | | -- |
| 0019 | VTVR40047 | | GOUPILLE D. 4X29 | 2,00 | | | -- |
| 0020 | MPVR40820 | | GACHETTE G 6000-SW | 1,00 | | | -- |
| 0021 | MPVR40821 | | DISP.D.SECURITE G 6000-SW | 1,00 | | | -- |
| 0022 | MPVR40822 | | COQUILLE G 6000-SW DX | 1,00 | | | -- |
| 0023 | MPVR40823 | | PLAQUE G 6000 GR.DX | 1,00 | | | -- |
| 0024 | PVVR40387 | | PETIT PISTON G 5100 | 1,00 | | | -- |
| 0025 | MLML40029 | | RESSORT G 5100 | 1,00 | | | -- |
| 0026 | MPVR40824 | | COQUILLE G 6000-SW SX | 1,00 | | | -- |
| 0027 | MPVR40825 | | PLAQUE G 6000 GR.SX | 1,00 | | | -- |
| 0028 | VTVT40043 | | VIS AF 4X 14 HILO ZN.N | 12,00 | | | -- |
| 0029 | LCPR40086 | | TUYAU 1/4 L=420 ZC. 0° | 1,00 | | | -- |
| 0030 | MPVR40493 | | RACCORD G 5100-SW | 1,00 | | | -- |
| 0031 | MPVR40494 | | PROTECTION P 420 C/AN. | 1,00 | | | -- |
| 0035 | MPVR40198 | | BOUCHON G 5000 | 1,00 | | | -- |
| 0036 | MPVR40495 | | BOUCHON G 5100 REM. | 1,00 | | | -- |
| 0037 | PVVR40119 | | RONDELLE M22X1,5 IRV G5000 | 1,00 | | | -- |
| 0038 | RCIN40009 | | CHEVILLE-GOUJON G 1/4 F IRV G5000 | 1,00 | | | -- |
| 0039 | GUVR40034 | | BAGUE ANTIEXTR. D. 10 X14 | 1,00 | | | -- |
| 0040 | GUGO01946 | 00001946 | O-RING D. 9.13 X 2.62 VIT 70SH | 1,00 | | | -- |



| Ref. Part N. | Cust. Part N. | Description | Reference | Price |
|--------------|---------------|----------------------------|---------------------|-------|
| KTRI40243 | | KIT P 26- 26 SWIVEL G 5100 | 0015 0016 0017 | -- |
| KTRI40414 | | KIT P 26- 34 G 6000 | 0002 0003 0005 0006 | -- |

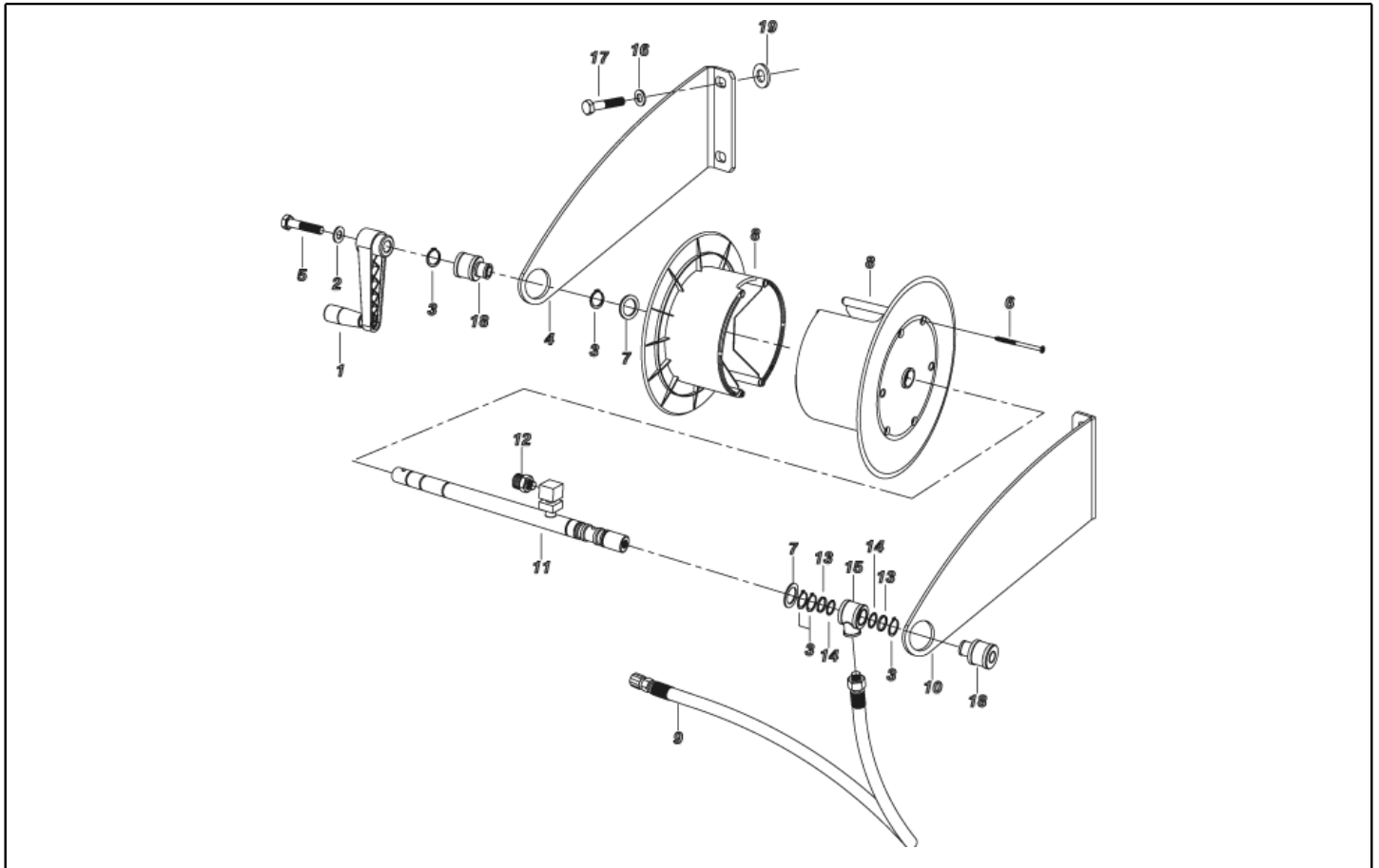


IPC

Spare parts list

Ref: KTRI40303

Model: KIT P 35- 44 PW-H28 BK.



| Ref. K | Part n. | Customer part n. | Description | Quantity | Validity | | Price |
|--------|-----------|------------------|-------------------------------------|----------|----------|----|-------|
| | | | | | From | To | |
| 0001 | MPVR92147 | | POIGNEE AVV/TUB*SERIE F*138-60 M8 | 1,00 | | | -- |
| 0002 | VTRS00504 | 00000504 | RONDELLE D. 8 TE ZC. UNI 6592 | 1,00 | | | -- |
| 0003 | VTAE33674 | 00033674 | BAGUE D'ARRET D. 22 UNI 7435 | 1,00 | | | -- |
| 0003 | VTAE33674 | 00033674 | BAGUE D'ARRET D. 22 UNI 7435 | 1,00 | | | -- |
| 0003 | VTAE33674 | 00033674 | BAGUE D'ARRET D. 22 UNI 7435 | 1,00 | | | -- |
| 0003 | VTAE33674 | 00033674 | BAGUE D'ARRET D. 22 UNI 7435 | 1,00 | | | -- |
| 0003 | VTAE33674 | 00033674 | BAGUE D'ARRET D. 22 UNI 7435 | 1,00 | | | -- |
| 0004 | LAFN40555 | | SUPP.ENROULEUR PW-H35 SX | 1,00 | | | -- |
| 0005 | VTVT01573 | 00001573 | VIS TCEI 8X25 UNI5931 | 1,00 | | | -- |
| 0006 | VTVT40006 | | VIS AF TCB-TC 5 X20 HILO INX | 4,00 | | | -- |
| 0007 | VTRS04924 | 00004924 | RONDELLE D.23X 39 | 1,00 | | | -- |
| 0007 | VTRS04924 | 00004924 | RONDELLE D.23X 39 | 1,00 | | | -- |
| 0008 | MPVR40581 | | ENROULEUR PRT.ANM PP | 1,00 | | | -- |
| 0008 | MPVR40581 | | ENROULEUR PRT.ANM PP | 1,00 | | | -- |
| 0009 | TBAP40169 | | TUYAU H.P. 5/16 L=590 R1 3/8M -IRV | 1,00 | | | -- |
| 0010 | LAFN40554 | | SUPP.ENROULEUR PW-H35 DX | 1,00 | | | -- |
| 0011 | LAFN40551 | | AXE PW-H35 3PZ. | 1,00 | | | -- |
| 0012 | RCIN10577 | 00010577 | RACCORD MALE 1/4MA | 1,00 | | | -- |
| 0013 | GUVR37665 | 00037665 | BAGUE ANTIEXTR. D.17.8X22 X1.5 PTFE | 2,00 | | | -- |
| 0014 | GUGO01032 | 00001032 | O-RING D. 17.13 X 2.62 NBR 70SH | 2,00 | | | -- |
| 0015 | RCDS89862 | | BLOCAGE PRT-P237 G3/8 OT. | 1,00 | | | -- |
| 0016 | VTRS00512 | 00000512 | RONDELLE D. 8 X24 ZC. | 4,00 | | | -- |
| 0017 | VTVT00452 | 00000452 | VIS TE 8X 50 UNI 5739 | 4,00 | | | -- |
| 0018 | MPVR40518 | | DOUILLE D.28-38/22.5 L=12 PVC N | 1,00 | | | -- |
| 0018 | MPVR40518 | | DOUILLE D.28-38/22.5 L=12 PVC N | 1,00 | | | -- |
| 0019 | VTRS40016 | | RONDELLE D.22 X32 X1.2 ZC. | 1,00 | | | -- |
| 0019 | VTRS40016 | | RONDELLE D.22 X32 X1.2 ZC. | 1,00 | | | -- |
| 0019 | VTRS40016 | | RONDELLE D.22 X32 X1.2 ZC. | 1,00 | | | -- |
| 0019 | VTRS40016 | | RONDELLE D.22 X32 X1.2 ZC. | 1,00 | | | -- |