

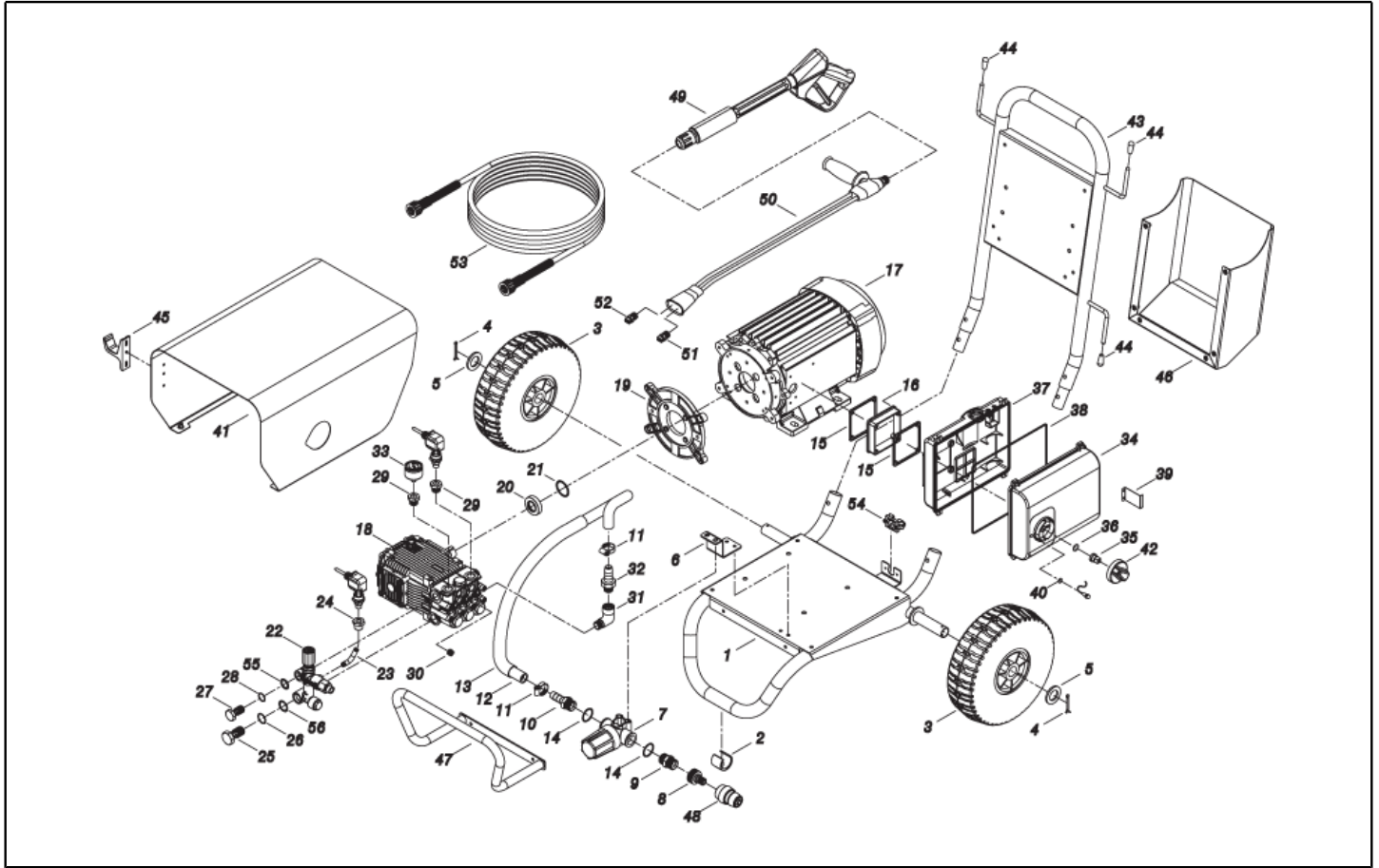


**IPC**

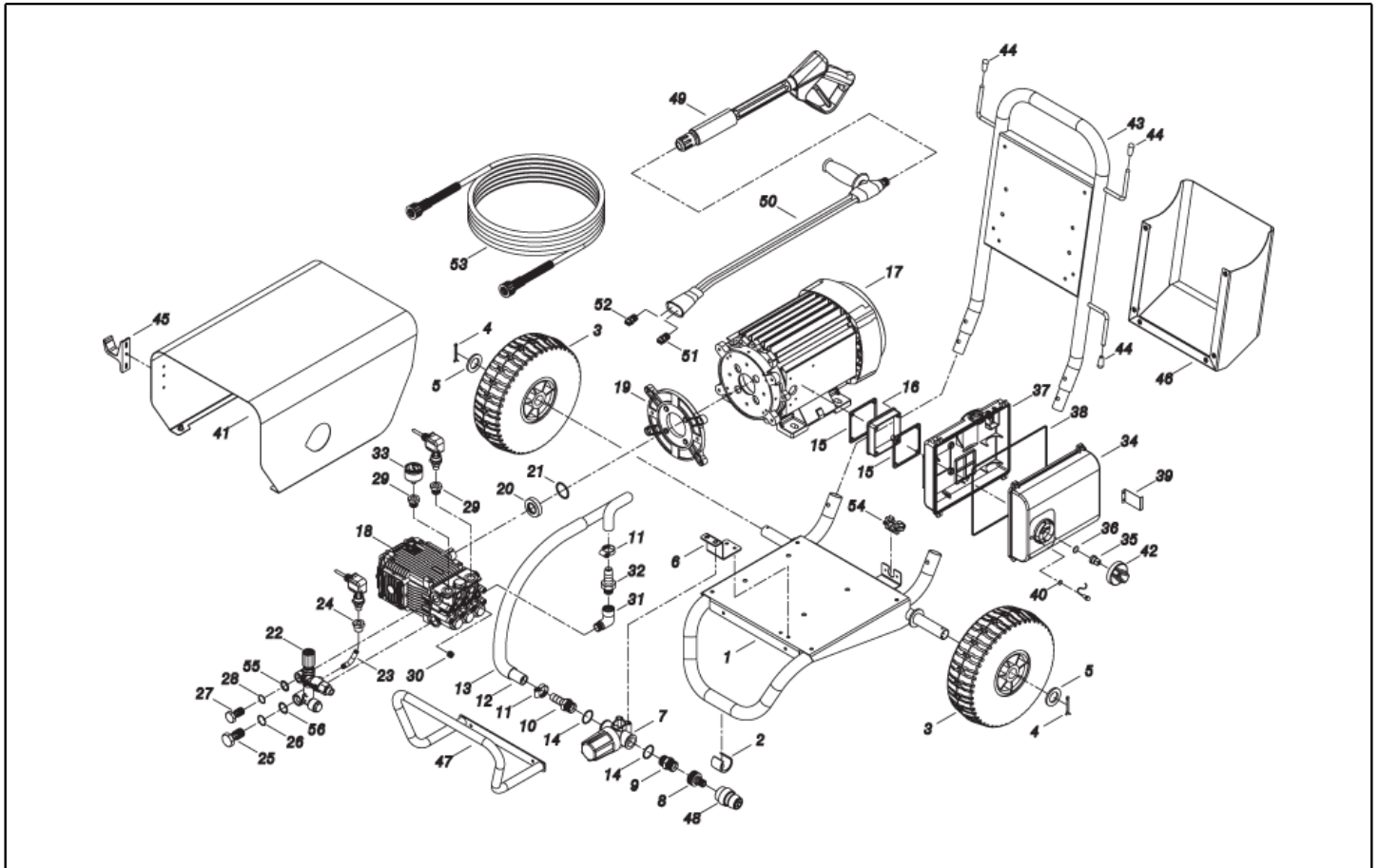
## **Spare Parts List**

Ref: IDAF50799

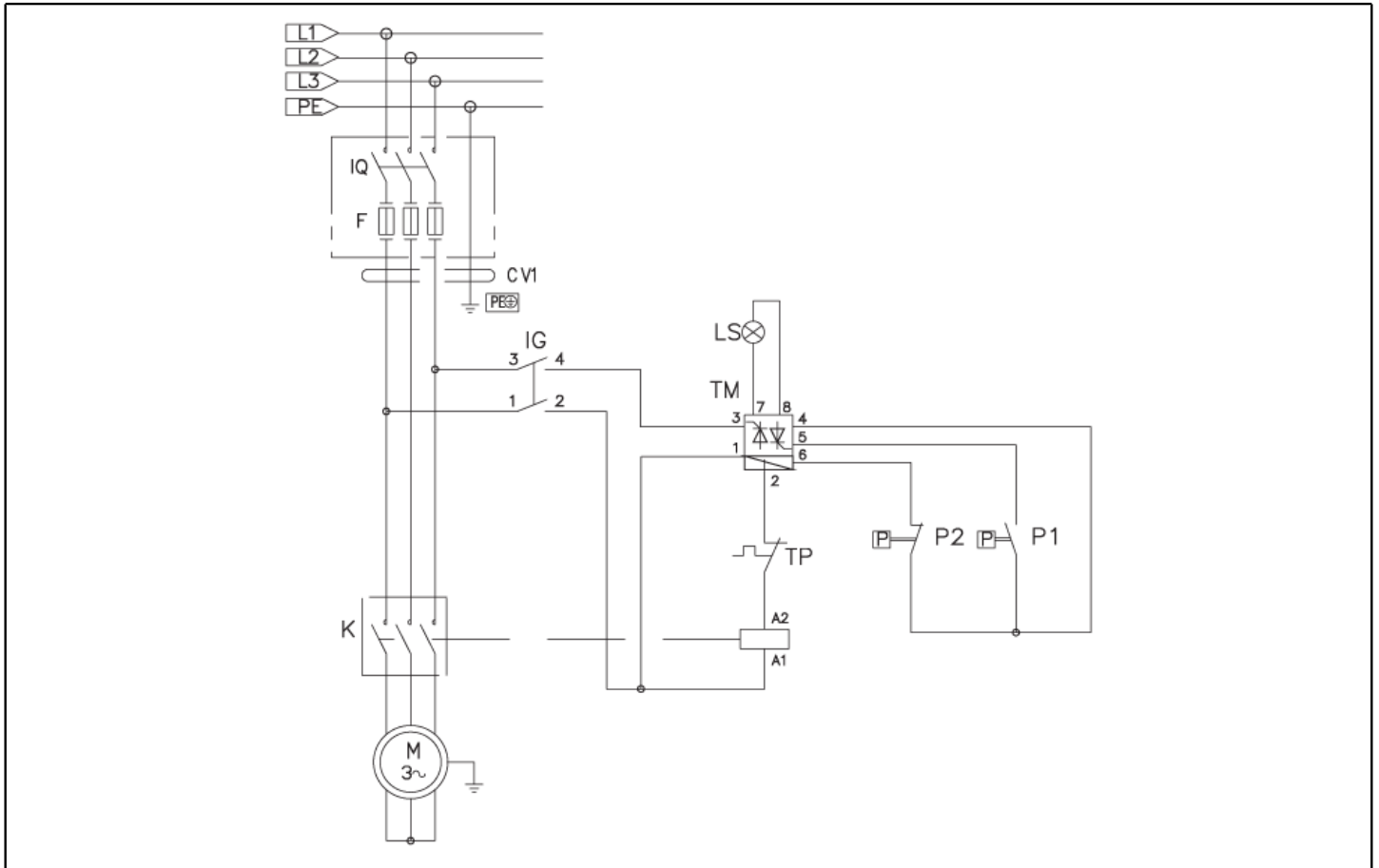
Model: PW 150/21 TRI X



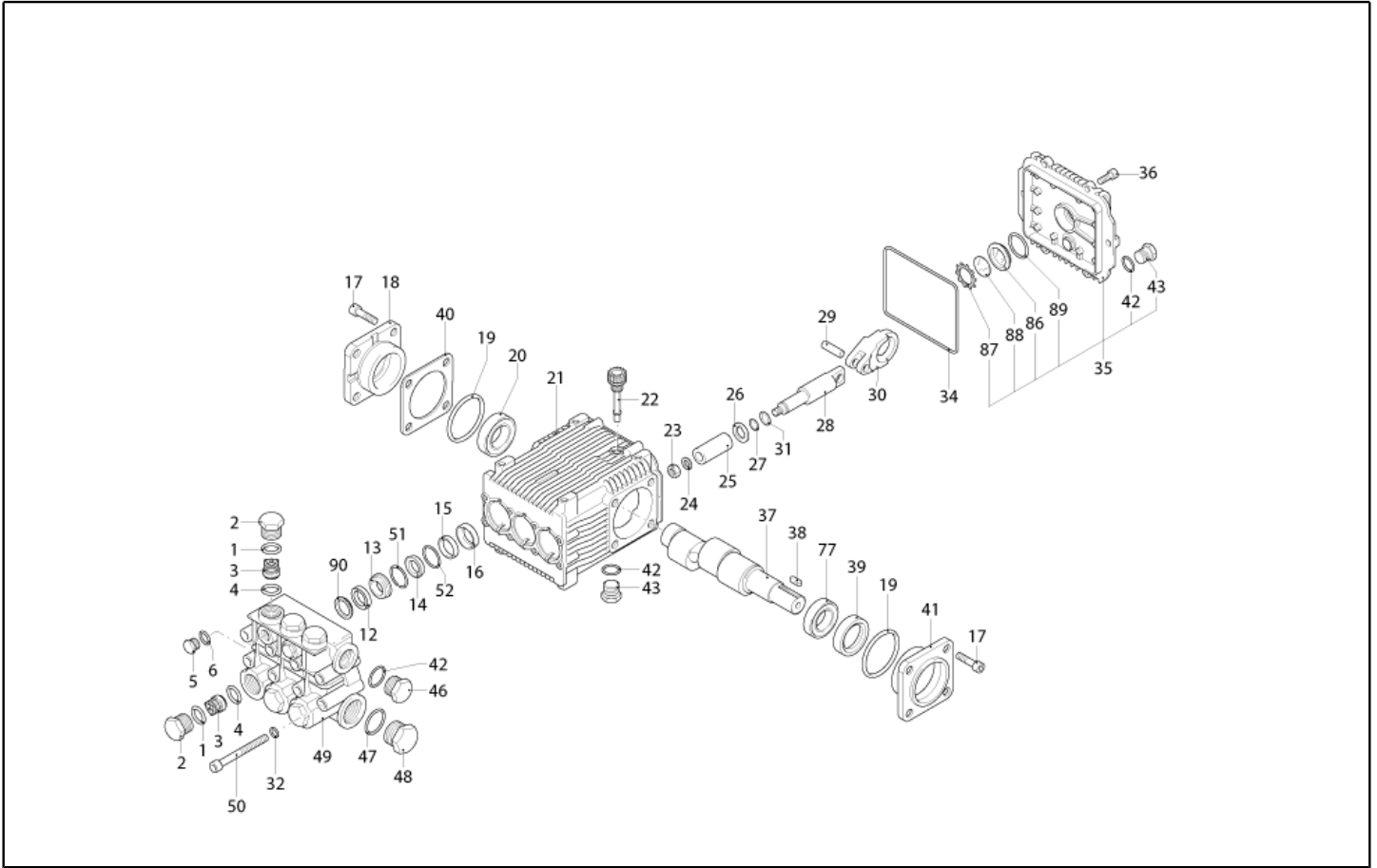
| Ref. K | Part N.   | Customer Part N. | Description                            | Quantity | Validity   |            | Price |
|--------|-----------|------------------|--|----------|------------|------------|-------|
|        |           |                  |  |          | From       | To         |       |
| 0001   | LAFN40802 |                  | CHARIOT PW-C85 7.5-9HP AL.             | 1,00     |            |            | --    |
| 0002   | MPVR40787 |                  | PETIT PIED D.28-30MM P.7.5MM           | 1,00     |            |            | --    |
| 0003   | RTRT40007 |                  | ROUE D. 11,4"X 4/4 -D.25 PN.           | 2,00     |            |            | --    |
| 0004   | VTVR00475 | 00000475         | GOUPILLE D. 4X40                       | 2,00     |            |            | --    |
| 0005   | VTRS73055 | 00073055         | RONDELLE D.44x26x4 ZC U.6592           | 2,00     |            |            | --    |
| 0006   | LAFN40807 |                  | ETRIER FILTRE PW-C85 7.5HP AL.         | 1,00     |            |            | --    |
| 0007   | FTAC40015 |                  | FILTRE EAU 3/4 FF 100MS 55L/1 TC       | 1,00     |            |            | --    |
| 0008   | RCVR29600 | 00029600         | PRISE PTC 3/4 F                        | 1,00     |            |            | --    |
| 0009   | RCVR40006 |                  | NIPPLE 3/4 - 3/4 D.18 L=60 PPL         | 1,00     |            |            | --    |
| 0010   | RCVR40004 |                  | RACC. P. TUYAU PPL D.15 -G.3/4M        | 1,00     |            | 30/04/2016 | --    |
| 0010   | RCVR40181 |                  | RACC. P. TUYAU PPL D.16 -G.3/4M ARG    | 1,00     | 01/05/2016 |            | --    |
| 0011   | FSVR00431 | 00000431         | COLLIER D. 16-25                       | 2,00     |            |            | --    |
| 0012   | TBBP40097 |                  | TUYAU D. 16 SPIRAC/AL 15B.             | 0,60     |            | 30/04/2016 | --    |
| 0012   | TBBP40103 |                  | TUYAU D. 16 R6 EXCEEDS 1TE             | 0,60     | 01/05/2016 |            | --    |
| 0013   | TBFX72726 | 00072726         | TUYAU in PVC con SPIRALE D.25          | 0,55     |            |            | --    |
| 0014   | GUGO01043 | 00001043         | O-RING D. 25.07 X 2.62 NBR 70SH        | 2,00     |            |            | --    |
| 0015   | GUGO10881 | 00010881         | JOINT M.E.L. 73X73                     | 1,00     |            |            | --    |
| 0015   | GUGO10881 | 00010881         | JOINT M.E.L. 73X73                     | 1,00     |            |            | --    |
| 0016   | MPVR40348 |                  | ENTRETOISE C50 H.22 PP                 | 1,00     |            |            | --    |
| 0017   | MOTR40057 |                  | MOTEUR 3PH C85 HP7.5 23-400/50C RR/K   | 1,00     |            |            | --    |
| 0018   | PPAP40063 |                  | POMPE RK 20.19 DX NC 21LT.             | 1,00     |            |            | --    |
| 0019   | MFVR21735 | 00021735         | CONTRE-BRIDE MEC 112 2.V               | 1,00     |            |            | --    |
| 0020   | RCDS40112 |                  | DOUILLE AR RK.C50 OT                   | 1,00     |            |            | --    |
| 0021   | GUGO40021 |                  | O-RING D. 39.34 X 2.62 VIT 70SH        | 1,00     |            |            | --    |
| 0022   | VVAZ40078 |                  | SOUPAPE VRF-2 AR-R PPr.S/IN.M22        | 1,00     |            |            | --    |
| 0023   | RCDS40232 |                  | RACCORD L= 51 2X1/8M CN. IX.           | 1,00     |            |            | --    |
| 0024   | RCVR02589 | 00002589         | MANCHON 1/8-1/4 F A6                   | 1,00     |            |            | --    |
| 0025   | RCDS40171 |                  | VIS CREUSE G 1/2 VRF-2 OT. 2F.         | 1,00     |            |            | --    |
| 0026   | GUGO01048 | 00001048         | O-RING D. 15.88 X 2.62 NBR 70SH        | 2,00     |            |            | --    |
| 0027   | RCDS40172 |                  | VIS CREUSE 3/8 VRF-2 OT 4F.            | 1,00     |            |            | --    |
| 0028   | GUGO03510 | 00003510         | O-RING D. 12.37 X 2.62 NBR 70SH        | 2,00     |            |            | --    |
| 0029   | PVVR40175 |                  | BOUCHON AR RR C/F. 1/8F+OR             | 1,00     |            |            | --    |
| 0029   | PVVR40175 |                  | BOUCHON AR RR C/F. 1/8F+OR             | 1,00     | 01/11/2015 |            | --    |
| 0030   | RCVR09058 | 00009058         | BOUCHON 1/4 M EI D. 8                  | 1,00     |            |            | --    |
| 0031   | RCVR40116 |                  | COUDE 1/2" M/F A10                     | 1,00     |            |            | --    |
| 0032   | RCVR73008 | 00073008         | RACC. P. TUYAU 1/2 D.17 454/A          | 1,00     |            |            | --    |
| 0033   | MNMN18650 | 00018650         | MANOMETRE 0-300 D.40                   | 1,00     |            |            | --    |
| 0034   | MPVR40789 |                  | COUVERCLE BOITE PW-C85 C/F.Led ABS BK. | 1,00     |            |            | --    |
| 0035   | MPVR23482 | 00023482         | TALON TEC. TUV                         | 1,00     |            |            | --    |
| 0036   | GUGO25527 | 00025527         | O-RING D. 14 X 3 NBR 70SH              | 1,00     |            |            | --    |
| 0037   | MPVR40669 |                  | BOITE CONTROLE PW-C50 MP/DS ABS BK.    | 1,00     |            |            | --    |
| 0038   | GUGO33675 | 00033675         | JOINT MOUSSE D. 4                      | 0,90     |            |            | --    |
| 0039   | LAFN40830 |                  | SUPPORT PW-C85 INX                     | 1,00     |            |            | --    |
| 0040   | GUGO40058 |                  | JOINT D. 7.7-11 X1 NBR 70SH            | 1,00     |            |            | --    |



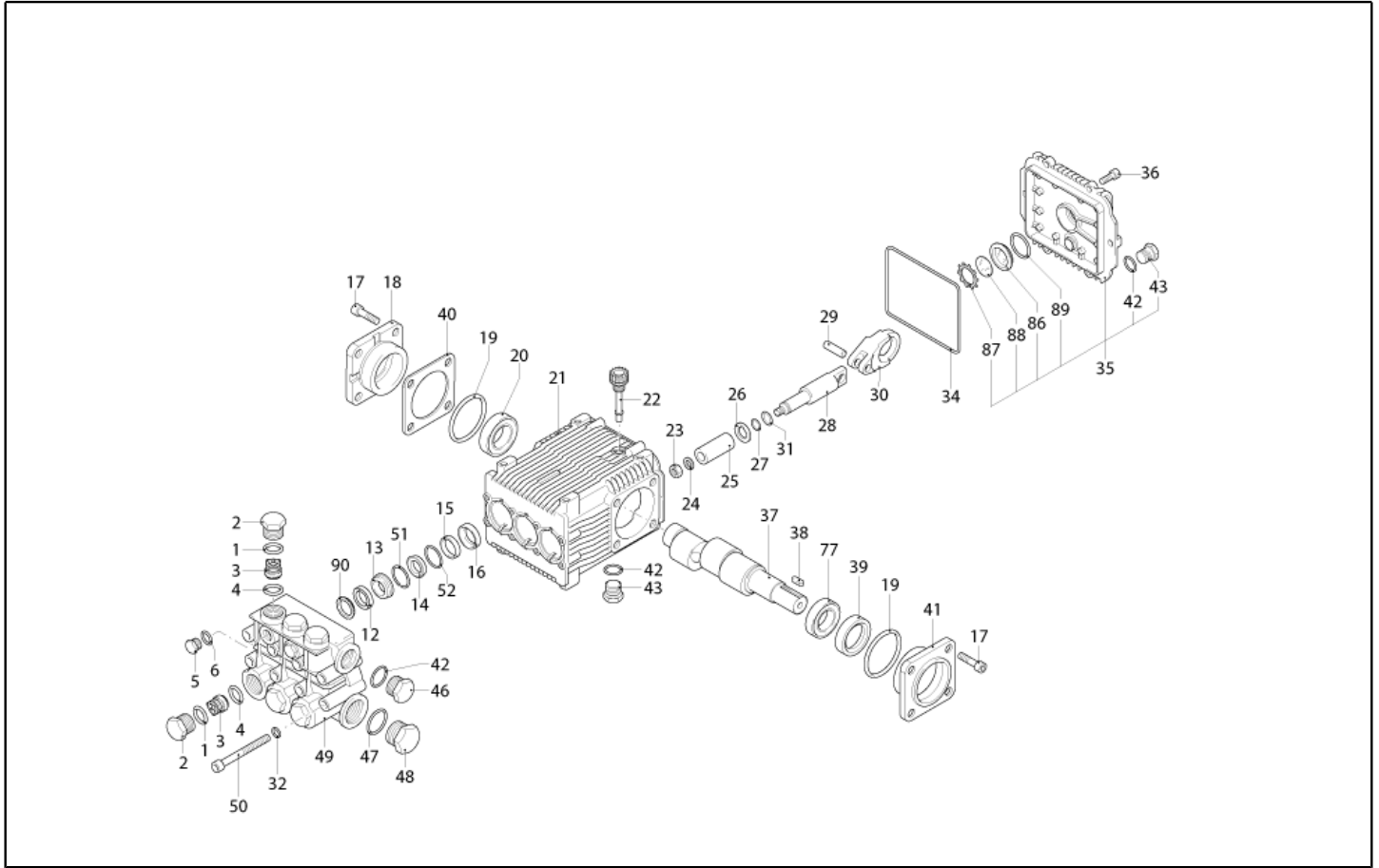
| Ref. K | Part N.   | Customer Part N. | Description                          | Quantity | Validity   |    | Price |
|--------|-----------|------------------|--------------------------------------|----------|------------|----|-------|
|        |           |                  |                                      |          | From       | To |       |
| 0041   | LAFN40805 |                  | COUVERTURE PW-C85 7.5-9HP AL.        | 1,00     |            |    | --    |
| 0042   | MPVR49057 | 00049057         | POIGNEE NOIRE P176-M.RACE PA6        | 1,00     |            |    | --    |
| 0043   | LAFN40803 |                  | POIGNEE PW-C85 7.5-9HP AL.           | 1,00     |            |    | --    |
| 0044   | MPVR32471 | 00032471         | EMBOUT D. 8 BK                       | 3,00     |            |    | --    |
| 0045   | MPVR14947 | 00014947         | PORTE LANCE NYL 66                   | 1,00     |            |    | --    |
| 0046   | LAFN40818 |                  | PORTE-OUTIL PW-C85 NTR AL.           | 1,00     |            |    | --    |
| 0047   | LAFN40806 |                  | PARE-CHOC PW-C85 7.5-9HP AL.         | 1,00     |            |    | --    |
| 0048   | RCLR29602 | 00029602         | RACCORD D. 1/2"-5/8" PTC             | 1,00     |            |    | --    |
| 0049   | IPPR40020 |                  | POIGNEE G 6000+P.330 +M22 SW.M V     | 1,00     |            |    | --    |
| 0050   | LCPR12983 | 00012983         | RALLONGE DOUBLE PD 70                | 1,00     |            |    | --    |
| 0051   | UGLN49997 | 00049997         | BUSE LECH 1/4 25075                  | 2,00     |            |    | --    |
| 0053   | TBAP40062 |                  | TUYAU H.P. R1 MT 15 5/16" C/2 IRV ZC | 1,00     |            |    | --    |
| 0054   | MEVR33994 | 00033994         | COLLIER DE SER. 4228 B D. 6- 18      | 1,00     |            |    | --    |
| 0055   | VTRS00548 | 00000548         | RONDELLE D.17,5X23X1,5 (3/8)RM       | 1,00     | 01/02/2016 |    | --    |
| 0056   | VTRS00549 | 00000549         | RONDELLE D.21,5X27X1,5 (1/2) RM      | 1,00     | 01/02/2016 |    | --    |



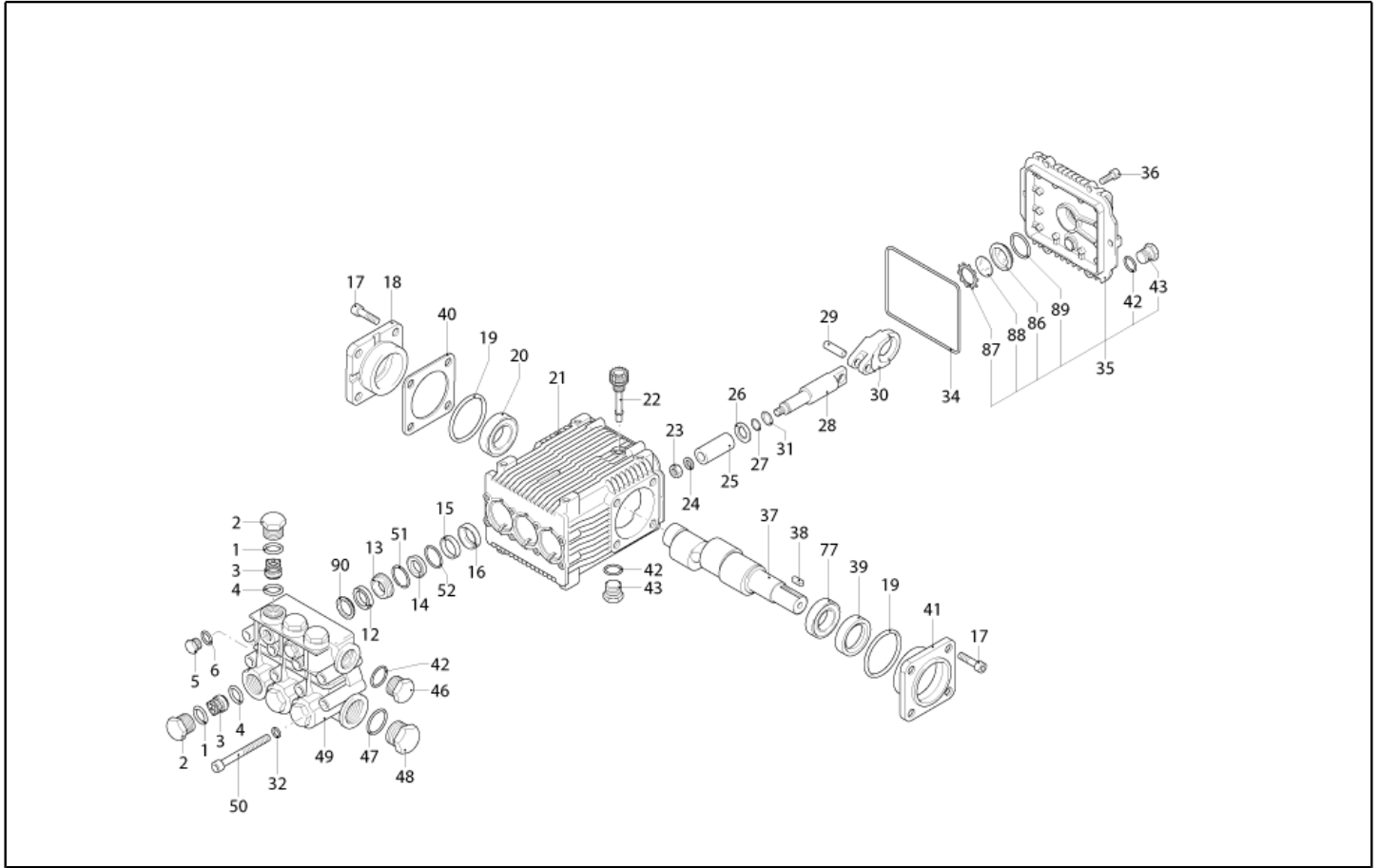
| Ref. K | Part N.   | Customer Part N. | Description                          | Quantity | Validity |    | Price |
|--------|-----------|------------------|--------------------------------------|----------|----------|----|-------|
|        |           |                  |                                      |          | From     | To |       |
| K      | METT40013 |                  | TELERUPTEUR SIE 3RT 2017-1AV01 400V  | 1,00     |          |    | --    |
| IG     | MECI40020 |                  | INTERRUPTEUR BRM BP. 0-1 12A         | 1,00     |          |    | --    |
| LS     | MELF40004 |                  | AMPOULE LED RD. 6V H8TT RR FL 06     | 1,00     |          |    | --    |
| P1     | MEPF39741 | 00039741         | PRESSOSTAT MTM 1/8M NA/NC 25B. MICRO | 1,00     |          |    | --    |
| P2     | MEPF39902 | 00039902         | PRESSOSTAT MTM 1/4M NA/NC 25B. MICRO | 1,00     |          |    | --    |
| TM     | METY40004 |                  | MINUTEUR THV/1-DS 400-5/60 30S.2P    | 1,00     |          |    | --    |
| CV1    | MECB89888 |                  | CABLE H07 RNF 4X2.5 L=6.500          | 1,00     |          |    | --    |



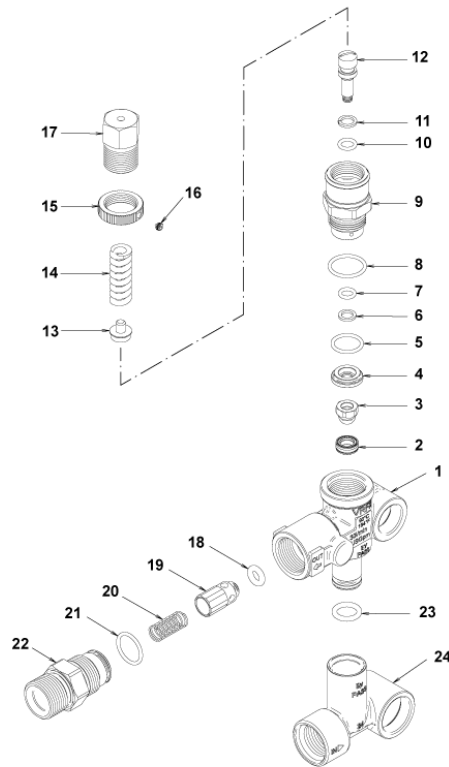
| Ref. K | Part N.     | Customer Part N. | Description                     | Quantity | Validity |    | Price |
|--------|-------------|------------------|---------------------------------|----------|----------|----|-------|
|        |             |                  |                                 |          | From     | To |       |
| 0001   | GUGO03502   | 00003502         | O-RING D. 17.86 X 2.62 NBR 70SH | 6,00     |          |    | --    |
| 0002   | PVVR40161   |                  | BOUCHON AR RR                   | 6,00     |          |    | --    |
| 0003   | S VVAM40003 |                  | ENSEMBL. CLAPET RR              | 6,00     |          |    | --    |
| 0004   | S GUGO02259 | 00002259         | O-RING D. 15.54 X 2.62 NBR 70SH | 6,00     |          |    | --    |
| 0005   | PVVR40129   |                  | BOUCHON 1/4 M RC                | 2,00     |          |    | --    |
| 0006   | GUGO01036   | 00001036         | O-RING D. 10.82 X 1.78 NBR 70SH | 2,00     |          |    | --    |
| 0012   | S GUVR40051 |                  | BAGUE D'ETANCH. D. 22 RK W1     | 3,00     |          |    | --    |
| 0013   | PVVR40212   |                  | BAGUE INTERMED. D.22 RK         | 3,00     |          |    | --    |
| 0014   | S GUVR40050 |                  | BAGUE D'ETANCH. D. 22 RK W2     | 3,00     |          |    | --    |
| 0015   | PVVR40210   |                  | ENTRETOISE D. 35 RK             | 3,00     |          |    | --    |
| 0016   | S GUGO40022 |                  | JOINT SPI RK                    | 3,00     |          |    | --    |
| 0017   | VTVT01118   | 00001118         | VIS TCEI M 8X16 ZC. UNI 5931    | 8,00     |          |    | --    |
| 0018   | MFVR40038   |                  | COUVERCLE CART. AR RK LT.       | 1,00     |          |    | --    |
| 0019   | S GUGO01053 | 00001053         | O-RING D. 60 X 2.62 NBR 70SH    | 2,00     |          |    | --    |
| 0020   | CUVR40011   |                  | ROULEMENT 30304 DQ              | 1,00     |          |    | --    |
| 0021   | MFVR40039   |                  | CARTER POMPE AR RK              | 1,00     |          |    | --    |
| 0022   | PVVR19231   | 00019231         | BOUCHON HUILE XTS               | 1,00     |          |    | --    |
| 0023   | VTDD00483   | 00000483         | ECROU M 8 ZIN UNI 5588          | 3,00     |          |    | --    |
| 0024   | VTRS19394   | 00019394         | RONDELLE D. 8X13X0.5            | 3,00     |          |    | --    |
| 0025   | S PIVR40009 |                  | PISTON D.22X40 RK               | 3,00     |          |    | --    |
| 0026   | PVVR40218   |                  | DISQUE RK                       | 3,00     |          |    | --    |
| 0027   | GUGO08071   | 00008071         | O-RING D. 4.48 X 1.78 NBR 70SH  | 3,00     |          |    | --    |
| 0028   | PVVR40217   |                  | TIGE DE PISTON RK               | 3,00     |          |    | --    |
| 0029   | PVVR40211   |                  | CHEVILLE-GOUJON D. 10X25 RK     | 3,00     |          |    | --    |
| 0030   | BLVR40005   |                  | BIELLE RK                       | 3,00     |          |    | --    |
| 0031   | GUVR40044   |                  | BAGUE ANTIEXTR. D. 5 X 8 X1     | 3,00     |          |    | --    |
| 0032   | VTRS00504   | 00000504         | RONDELLE D. 8 TE ZC. UNI 6592   | 8,00     |          |    | --    |
| 0034   | S GUGO40023 |                  | O-RING D. 106 X 3 NBR 70SH      | 1,00     |          |    | --    |
| 0035   | MFVR40041   |                  | COUVERCLE CART. AR RK           | 1,00     |          |    | --    |
| 0036   | VTVT01114   | 00001114         | VIS TCEI 6X14 UNI 5931          | 6,00     |          |    | --    |
| 0037   | ALMO40017   |                  | ARBRE AR RK20.19 NC             | 1,00     |          |    | --    |
| 0038   | VTVR41531   | 00041531         | CLAVETTE 8X 7X35 UNI 6604A      | 1,00     |          |    | --    |
| 0039   | S GUGO01245 | 00001245         | JOINT SPI 25X 45X10-L.CM -NBR70 | 1,00     |          |    | --    |
| 0040   | PVVR40214   |                  | EPAISSEUR AR 0,20 mm            | 1,00     |          |    | --    |
| 0041   | MFVR40040   |                  | COUVERCLE CART. AR RK LAT. OPEN | 1,00     |          |    | --    |
| 0042   | GUGO09720   | 00009720         | O-RING D. 14 X 1.78 NBR 70SH    | 3,00     |          |    | --    |
| 0043   | PVVR40099   |                  | BOUCHON 3/8 M HRM               | 1,00     |          |    | --    |
| 0046   | PVVR40099   |                  | BOUCHON 3/8 M HRM               | 1,00     |          |    | --    |
| 0047   | GUGO19245   | 00019245         | O-RING D. 17.5 X 2 NBR 70SH     | 1,00     |          |    | --    |
| 0048   | PVVR40121   |                  | BOUCHON 1/2 M RC                | 1,00     |          |    | --    |
| 0049   | MFVR40042   |                  | CULASSE AR RK OT.               | 1,00     |          |    | --    |
| 0050   | VTVT37530   | 00037530         | VIS TCEI M 8X70 UNI 5931        | 8,00     |          |    | --    |
| 0051   | S GUGO10379 | 00010379         | O-RING D. 22 X 2 NBR 70SH       | 3,00     |          |    | --    |
| 0052   | S GUGO40024 |                  | O-RING D. 28.25 X 1.78 NBR 70SH | 3,00     |          |    | --    |



| Ref. K | Part N.   | Customer Part N. | Description                       | Quantity | Validity |    | Price |
|--------|-----------|------------------|-----------------------------------|----------|----------|----|-------|
|        |           |                  |                                   |          | From     | To |       |
| 0077   | CUVR66788 |                  | ROULEMENT D.25X52X16,25 30205 SKF | 1,00     |          |    | --    |
| 0086   | PVVR19238 | 00019238         | VOYANT HUILE XTS                  | 1,00     |          |    | --    |
| 0087   | VTAE19239 | 00019239         | SEEGER 0,5 X25,35X16,0            | 1,00     |          |    | --    |
| 0088   | PVVR40199 |                  | DISQUE CONTRASTO POMPA RW         | 1,00     |          |    | --    |
| 0089   | GUGO19395 | 00019395         | O-RING D. 20.24 X 2.62 NBR 70SH   | 1,00     |          |    | --    |

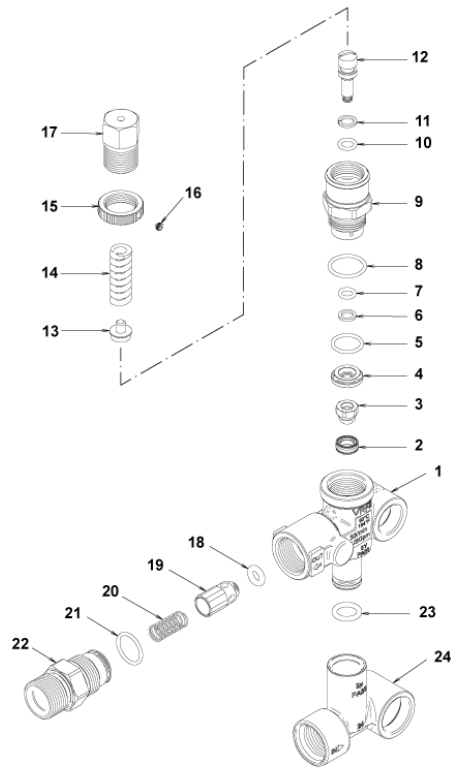


| Ref. Part N. | Cust. Part N. | Description            | Reference           | Price |
|--------------|---------------|------------------------|---------------------|-------|
| K A          | KTRI40142     | KIT P 15-42909 RR      | 0003 0004           | --    |
| K B          | KTRI40166     | KIT P 15-2526 D.22 RK  | 0025                | --    |
| K C          | KTRI40167     | KIT P 15-1855 RK       | 0016 0019 0034 0039 | --    |
| K E          | KTRI40168     | KIT P 15-42925 D.22 RK | 0012 0014 0051 0052 | --    |

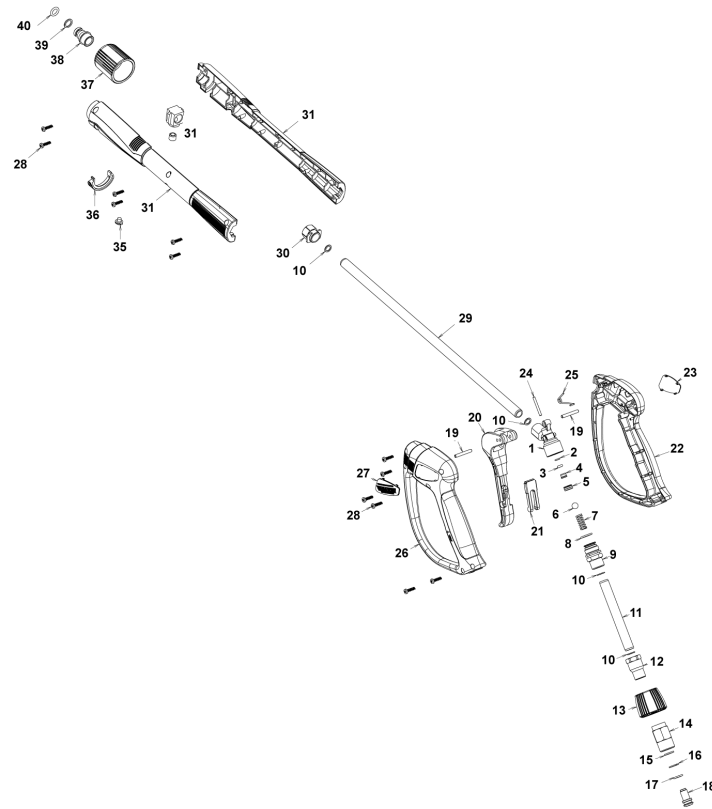


| Ref. K | Part N.   | Customer Part N. | Description                        | Quantity                        | Validity |    | Price |
|--------|-----------|------------------|------------------------------------|---------------------------------|----------|----|-------|
|        |           |                  |                                    |                                 | From     | To |       |
| 0001   | PVVR40375 |                  | CORPS VALVE VRF2 +G1/8 F           | 1,00                            |          |    | --    |
| 0002   | S         | PVVR40363        | SIEGE SOUPAPE MV124 +OR            | 1,00                            |          |    | --    |
| 0003   | S         | PVVR40364        | OBTURATEUR MV124                   | 1,00                            |          |    | --    |
| 0004   | S         | PVVR40365        | ENTRETOISE MV124                   | 1,00                            |          |    | --    |
| 0005   | S         | GUGO12322        | 00012322                           | O-RING D. 14 X 1.78 NBR 90SH    | 1,00     |    | --    |
| 0006   | S         | GUVR40072        | BAGUE ANTIEXTR. D. 6.5X 9.4        | 1,00                            |          |    | --    |
| 0007   | S         | GUGO83861        | O-RING D. 6.07 X 1.78 NBR 90SH     | 1,00                            |          |    | --    |
| 0008   | S         | GUGO24913        | 00024913                           | O-RING D. 17.17 X 1.78 NBR 90SH | 1,00     |    | --    |
| 0009   | S         | PVVR40366        | RACCORD VRF2 D.10                  | 1,00                            |          |    | --    |
| 0010   | S         | GUGO03500        | 00003500                           | O-RING D. 6.75 X 1.78 NBR 70SH  | 1,00     |    | --    |
| 0011   | S         | GUVR40073        | BAGUE ANTIEXTR. D. 7.1X10 X1.2 TBT | 1,00                            |          |    | --    |
| 0012   | S         | PVVR40367        | PETIT PISTON D.10 VRF2             | 1,00                            |          |    | --    |
| 0013   | PVVR40368 |                  | COUPELLE RESS. MV124 25B           | 1,00                            |          |    | --    |
| 0014   | MLML40027 |                  | RESSORT D. 3.0/6.0 X38.85          | 1,00                            |          |    | --    |
| 0015   | PVVR40369 |                  | FRETTE MV167.09                    | 1,00                            |          |    | --    |
| 0016   | VTVT89696 |                  | VIS EI-ST 4X 4 UNI5927 ZC          | 1,00                            |          |    | --    |
| 0017   | PVVR40370 |                  | CAPUCHON VRF2 M18X1                | 1,00                            |          |    | --    |
| 0018   | S         | GUGO46053        | 00046053                           | O-RING D. 6 X 3 NBR 90SH        | 1,00     |    | --    |
| 0019   | S         | PVVR40349        | OBTURATEUR VRT3                    | 1,00                            |          |    | --    |
| 0020   | S         | MLML40026        | RESSORT VRT3                       | 1,00                            |          |    | --    |
| 0021   | S         | GUGO12321        | 00012321                           | O-RING D. 15.6 X 1.78 NBR 90SH  | 1,00     |    | --    |
| 0022   | PVVR40374 |                  | RACCORD VRT3 M22 M                 | 1,00                            |          |    | --    |
| 0023   | GUGO11225 | 00011225         | O-RING D. 10.78 X 2.62 NBR 70SH    | 1,00                            |          |    | --    |
| 0024   | PVVR40373 |                  | RACCORD VRF2.24                    | 1,00                            |          |    | --    |





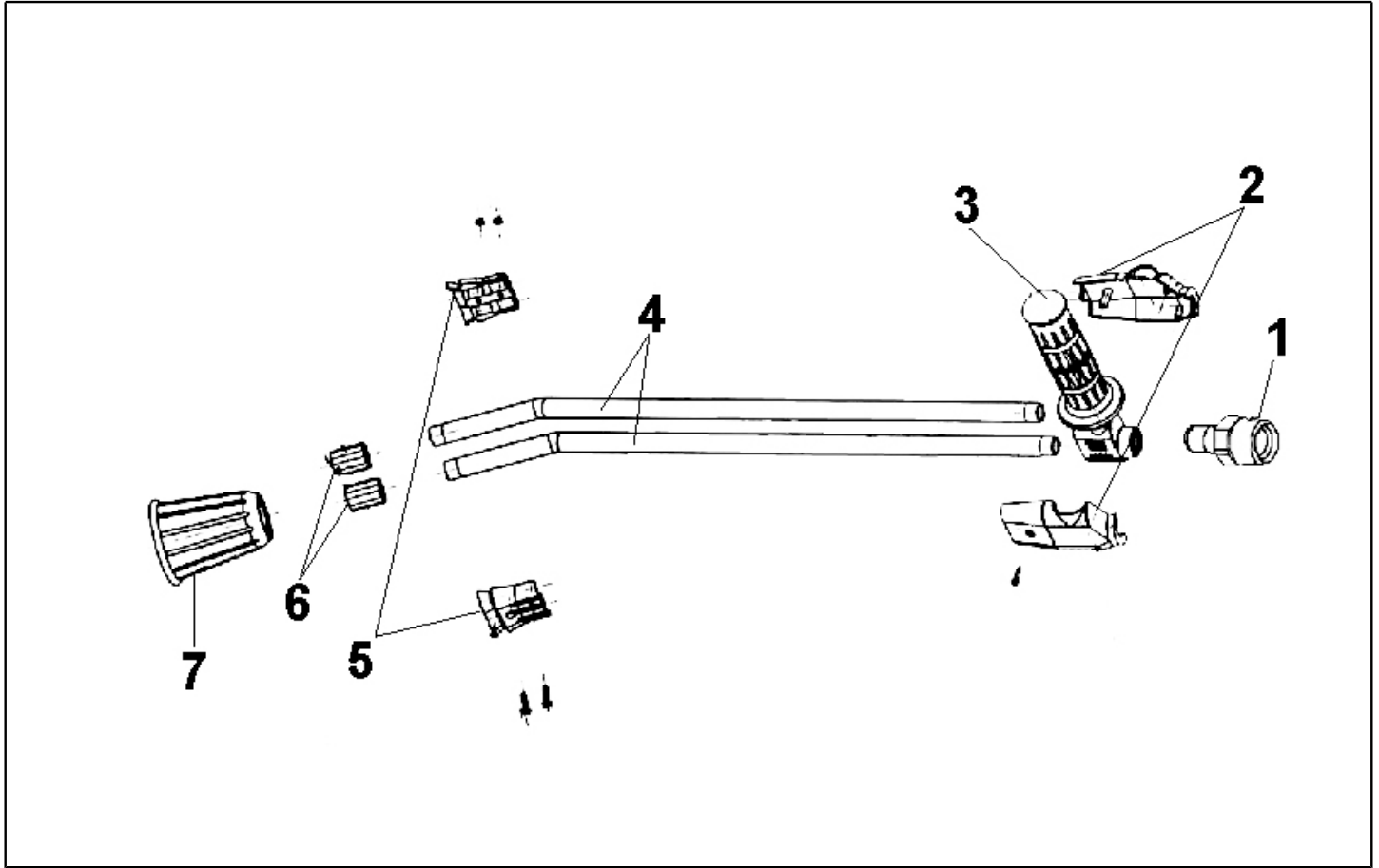
| Ref. Part N. | Cust. Part N. | Description            | Reference   | Price |
|--------------|---------------|------------------------|---|-------|
| KTRI40236    |               | KIT P 14-103 VRF2      | 0002 0003 0004 0005 0006 0007 0008 0009 0010 0011<br>0012 0018 0019 0020 0021 | --    |
| KTRI40237    |               | KIT P 14-104 SEAL VRF2 | 0002 0003 0005 0006 0007 0008 0010 0011 0018 0021                             | --    |



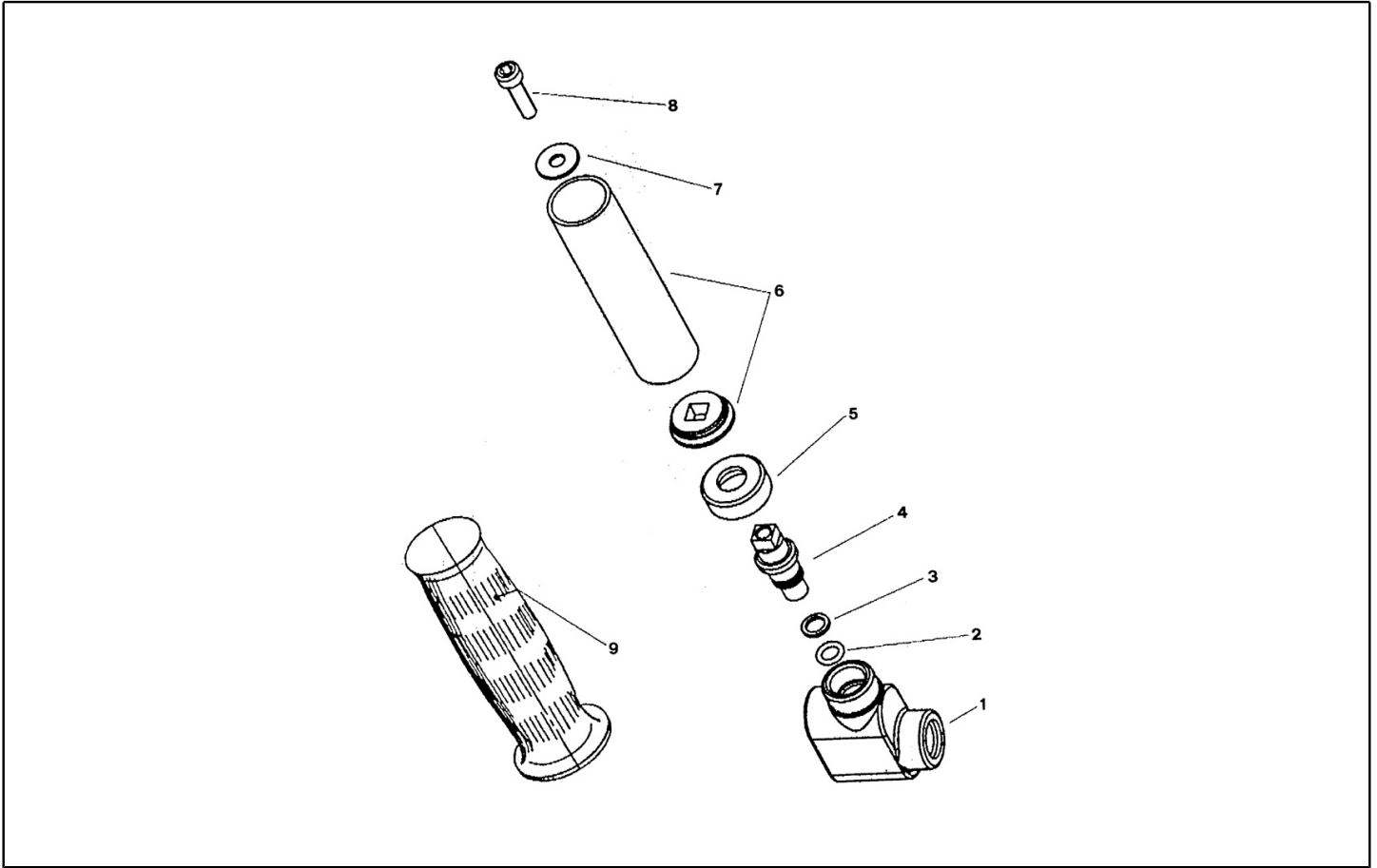
| Ref. K | Part N.     | Customer Part N. | Description                       | Quantity | Validity |    | Price |
|--------|-------------|------------------|-----------------------------------|----------|----------|----|-------|
|        |             |                  |                                   |          | From     | To |       |
| 0001   | PVVR40381   |                  | CORPS PISTOLET G 5100 G1/4F       | 1,00     |          |    | --    |
| 0002   | S GUVR40074 |                  | BAGUE ANTIEXTR. D. 3 X 7.4X1.3    | 1,00     |          |    | --    |
| 0003   | S GUGO21835 | 00021835         | O-RING D. 2.84 X 2.62 VIT. 80SH   | 1,00     |          |    | --    |
| 0004   | PVVR40382   |                  | TIGE DE PISTON G 5100             | 1,00     |          |    | --    |
| 0005   | S PVVR40112 |                  | SIEGE BILLE G 5000                | 1,00     |          |    | --    |
| 0006   | S SFVR40002 |                  | BILLE D.11/32" ALL.GR16           | 1,00     |          |    | --    |
| 0007   | MLML40016   |                  | RESSORT D. 9.4 x21.5x1.6 G5000    | 1,00     |          |    | --    |
| 0008   | GUGO12322   | 00012322         | O-RING D. 14 X 1.78 NBR 90SH      | 1,00     |          |    | --    |
| 0009   | PVVR40383   |                  | RACCORD COLL.G5100 1/4F           | 1,00     |          |    | --    |
| 0010   | VTRS40017   |                  | RONDELLE D. 8.2X11,4X1.00         | 4,00     |          |    | --    |
| 0011   | PVVR40384   |                  | TUYAU G 1/4" L.105                | 1,00     |          |    | --    |
| 0012   | RCIN40022   |                  | RACCORD SWIV G5100 1/4F           | 1,00     |          |    | --    |
| 0013   | MPVR40819   |                  | FRETTE G 5100 SW. BK.             | 1,00     |          |    | --    |
| 0014   | RCIN40021   |                  | BRANCHEMENT SWIV 5100 M22         | 1,00     |          |    | --    |
| 0015   | S GUVR40075 |                  | BAGUE ANTIEXTR. D. 10 X14X1.5     | 1,00     |          |    | --    |
| 0016   | S GUVR40076 |                  | BAGUE ANTIEXTR. D. 11.2X14X1.2    | 1,00     |          |    | --    |
| 0017   | S GUGO15295 | 00015295         | O-RING D. 10.82 X 1.78 VIT 80SH   | 1,00     |          |    | --    |
| 0018   | PVVR40386   |                  | VIS SW. G 5100                    | 1,00     |          |    | --    |
| 0019   | VTVR40047   |                  | GOUPILLE D. 4X29                  | 2,00     |          |    | --    |
| 0020   | MPVR40820   |                  | GACHETTE G 6000-SW                | 1,00     |          |    | --    |
| 0021   | MPVR40821   |                  | DISP.D.SECURITE G 6000-SW         | 1,00     |          |    | --    |
| 0022   | MPVR40822   |                  | COQUILLE G 6000-SW DX             | 1,00     |          |    | --    |
| 0023   | MPVR40823   |                  | PLAQUE G 6000 GR.DX               | 1,00     |          |    | --    |
| 0024   | PVVR40387   |                  | PETIT PISTON G 5100               | 1,00     |          |    | --    |
| 0025   | MLML40029   |                  | RESSORT G 5100                    | 1,00     |          |    | --    |
| 0026   | MPVR40824   |                  | COQUILLE G 6000-SW SX             | 1,00     |          |    | --    |
| 0027   | MPVR40825   |                  | PLAQUE G 6000 GR.SX               | 1,00     |          |    | --    |
| 0028   | VTVT40043   |                  | VIS AF 4X 14 HILO ZN.N            | 12,00    |          |    | --    |
| 0029   | LCPR40086   |                  | TUYAU 1/4 L=420 ZC. 0°            | 1,00     |          |    | --    |
| 0030   | MPVR40493   |                  | RACCORD G 5100-SW                 | 1,00     |          |    | --    |
| 0031   | MPVR40494   |                  | PROTECTION P 420 C/AN.            | 1,00     |          |    | --    |
| 0035   | MPVR40198   |                  | BOUCHON G 5000                    | 1,00     |          |    | --    |
| 0036   | MPVR40495   |                  | BOUCHON G 5100 REM.               | 1,00     |          |    | --    |
| 0037   | PVVR40119   |                  | RONDELLE M22X1,5 IRV G5000        | 1,00     |          |    | --    |
| 0038   | RCIN40009   |                  | CHEVILLE-GOUJON G 1/4 F IRV G5000 | 1,00     |          |    | --    |
| 0039   | GUVR40034   |                  | BAGUE ANTIEXTR. D. 10 X14         | 1,00     |          |    | --    |
| 0040   | GUGO01946   | 00001946         | O-RING D. 9.13 X 2.62 VIT 70SH    | 1,00     |          |    | --    |



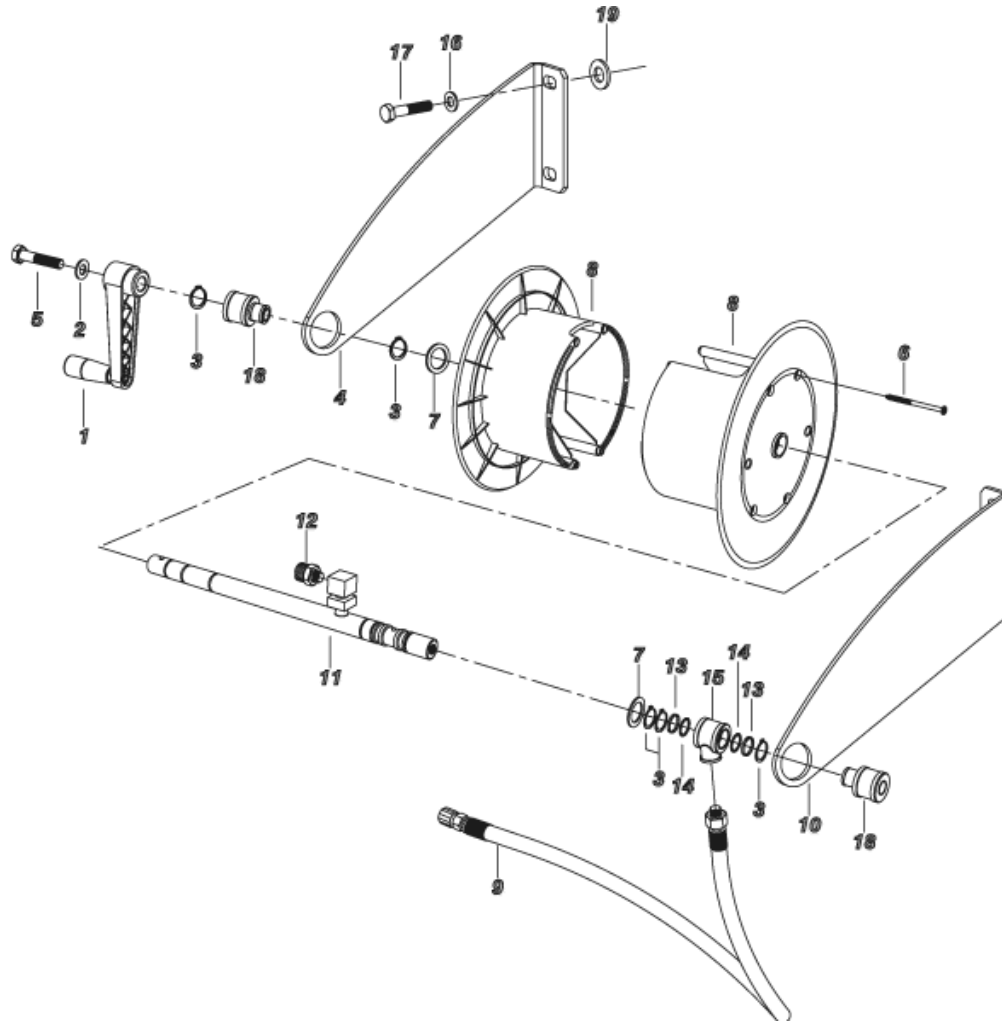
| Ref. Part N. | Cust. Part N. | Description                | Reference           | Price |
|--------------|---------------|----------------------------|---------------------|-------|
| KTRI40243    |               | KIT P 26- 26 SWIVEL G 5100 | 0015 0016 0017      | --    |
| KTRI40414    |               | KIT P 26- 34 G 6000        | 0002 0003 0005 0006 | --    |



| Ref. K | Part N.   | Customer Part N. | Description                   | Quantity | Validity |    | Price |
|--------|-----------|------------------|-------------------------------|----------|----------|----|-------|
|        |           |                  |                               |          | From     | To |       |
| 0001   | PVVR45296 | 00045296         | RACCORD G 1/4M -M22 M +PR.PLS | 1,00     |          |    | --    |
| 0002   | MPVR45214 | 00045214         | PROTECTION TB.1/4 MTM         | 1,00     |          |    | --    |
| 0003   | RCGR45737 | 00045737         | ROBINET 1/8 F LD MTM          | 1,00     |          |    | --    |
| 0004   | LCPR45740 | 00045740         | TUYAU 1/8 L=660 INOX MTM      | 2,00     |          |    | --    |
| 0005   | MPVR45001 | 00045001         | COQUILLE LD MTM               | 1,00     |          |    | --    |
| 0006   | RCVR45741 | 00045741         | PORTE BUSE 1/4-1/8 F MTM      | 2,00     |          |    | --    |
| 0007   | PVVR43810 | 00043810         | PROTECTION L.D. MTM           | 1,00     |          |    | --    |



| Ref. K | Part N.   | Customer Part N. | Description                     | Quantity | Validity   |            | Price |
|--------|-----------|------------------|---------------------------------|----------|------------|------------|-------|
|        |           |                  |                                 |          | From       | To         |       |
| 0001   | RCGR41556 | 00041556         | CORPS ROBINET L.DOP. 1/8" MTM   | 1,00     |            | 08/03/2010 | --    |
| 0001   | PVVR40132 |                  | CORPS VALVE L.DP 1/4F-1/8FF CP. | 1,00     | 09/03/2010 |            | --    |
| 0002   | GUGO10330 | 00010330         | O-RING D. 6.07 X 1.78 VIT 70SH  | 1,00     |            | 08/03/2010 | --    |
| 0003   | GUVR41551 | 00041551         | BAGUE ANTIEXTR. SR 010          | 1,00     |            | 08/03/2010 | --    |
| 0004   | PVVR41553 | 00041553         | PETIT PISTON L.DP. MTM          | 1,00     |            | 08/03/2010 | --    |
| 0005   | PVVR41555 | 00041555         | FRETTE L.DOP. MTM               | 1,00     |            | 08/03/2010 | --    |
| 0006   | LAFN41552 | 00041552         | TUYAU D. 22 MTM                 | 1,00     |            |            | --    |
| 0007   | VTRS15958 | 00015958         | RONDELLE UNI 6592 5X15X1,5 ZB   | 1,00     |            |            | --    |
| 0008   | VTVT17639 | 00017639         | VIS TCEI M 5X10 UNI 5931        | 1,00     |            |            | --    |
| 0009   | MPVR41554 | 00041554         | POIGNEE D. 22 MTM               | 1,00     |            |            | --    |



| Ref. | K | Part N.   | Customer Part N. | Description                        | Qty  | Validity: |    | Price |
|------|---|-----------|------------------|------------------------------------|------|-----------|----|-------|
|      |   |           |                  |                                    |      | From      | To |       |
| 0001 |   | MPVR92147 |                  | HANDLE AVV/TUB"SERIE F"138-60 M8   | 1,00 |           |    | --    |
| 0002 |   | VTRS00504 |                  | WASHER D. 8 TE ZC. UNI 6592        | 1,00 |           |    | --    |
| 0003 |   | VTAE33674 |                  | CIRCLIP D. 22 UNI 7435             | 1,00 |           |    | --    |
| 0003 |   | VTAE33674 |                  | CIRCLIP D. 22 UNI 7435             | 1,00 |           |    | --    |
| 0003 |   | VTAE33674 |                  | CIRCLIP D. 22 UNI 7435             | 1,00 |           |    | --    |
| 0003 |   | VTAE33674 |                  | CIRCLIP D. 22 UNI 7435             | 1,00 |           |    | --    |
| 0003 |   | VTAE33674 |                  | CIRCLIP D. 22 UNI 7435             | 1,00 |           |    | --    |
| 0004 |   | LAFN40808 |                  | HOSE WIND.SUPP.PW-H35 SX           | 1,00 |           |    | --    |
| 0005 |   | VTVT01573 |                  | SCREW TCEI 8X25 UNI5931            | 1,00 |           |    | --    |
| 0006 |   | VTVT40006 |                  | SCREW AF TCB-TC 5 X20 HILO INX     | 4,00 |           |    | --    |
| 0007 |   | VTRS04924 |                  | WASHER D.23X 39                    | 1,00 |           |    | --    |
| 0007 |   | VTRS04924 |                  | WASHER D.23X 39                    | 1,00 |           |    | --    |
| 0008 |   | MPVR40581 |                  | HOSE REEL PRT.ANM PP               | 1,00 | 10/2013   |    | --    |
| 0008 |   | MPVR40581 |                  | HOSE REEL PRT.ANM PP               | 1,00 | 10/2013   |    | --    |
| 0009 |   | TBAP40169 |                  | HOSE-FITTING 5/16 R1 3/8M -M22 F   | 1,00 |           |    | --    |
| 0010 |   | LAFN40808 |                  | HOSE WIND.SUPP.PW-H35 DX           | 1,00 |           |    | --    |
| 0011 |   | LAFN40551 |                  | AXLE PW-H35 3PZ.                   | 1,00 |           |    | --    |
| 0012 |   | RCIN10577 |                  | MALE COUPLING 1/4MA                | 1,00 |           |    | --    |
| 0013 |   | GUVR37665 |                  | ANTI-EXTR.RING D.17.8X22 X1.5 PTFE | 2,00 |           |    | --    |
| 0014 |   | GUGO01032 |                  | O-RING D. 17.13 X 2.62 NBR 70SH    | 2,00 |           |    | --    |
| 0015 |   | RCDS89862 |                  | BLOCK PRT-P237 G3/8 OT.            | 1,00 |           |    | --    |
| 0016 |   | VTRS00512 |                  | WASHER D. 8 X24 ZC.                | 4,00 |           |    | --    |
| 0017 |   | VTVT00452 |                  | SCREW TE 8X 50 UNI 5739            | 4,00 |           |    | --    |
| 0018 |   | MPVR40518 |                  | BUSHING D.28-38/22.5 L=12 PVC N    | 1,00 |           |    | --    |
| 0018 |   | MPVR40518 |                  | BUSHING D.28-38/22.5 L=12 PVC N    | 1,00 |           |    | --    |
| 0019 |   | VTRS40016 |                  | WASHER D.22 X32 X1.2 ZC.           | 1,00 |           |    | --    |
| 0019 |   | VTRS40016 |                  | WASHER D.22 X32 X1.2 ZC.           | 1,00 |           |    | --    |
| 0019 |   | VTRS40016 |                  | WASHER D.22 X32 X1.2 ZC.           | 1,00 |           |    | --    |
| 0019 |   | VTRS40016 |                  | WASHER D.22 X32 X1.2 ZC.           | 1,00 |           |    | --    |