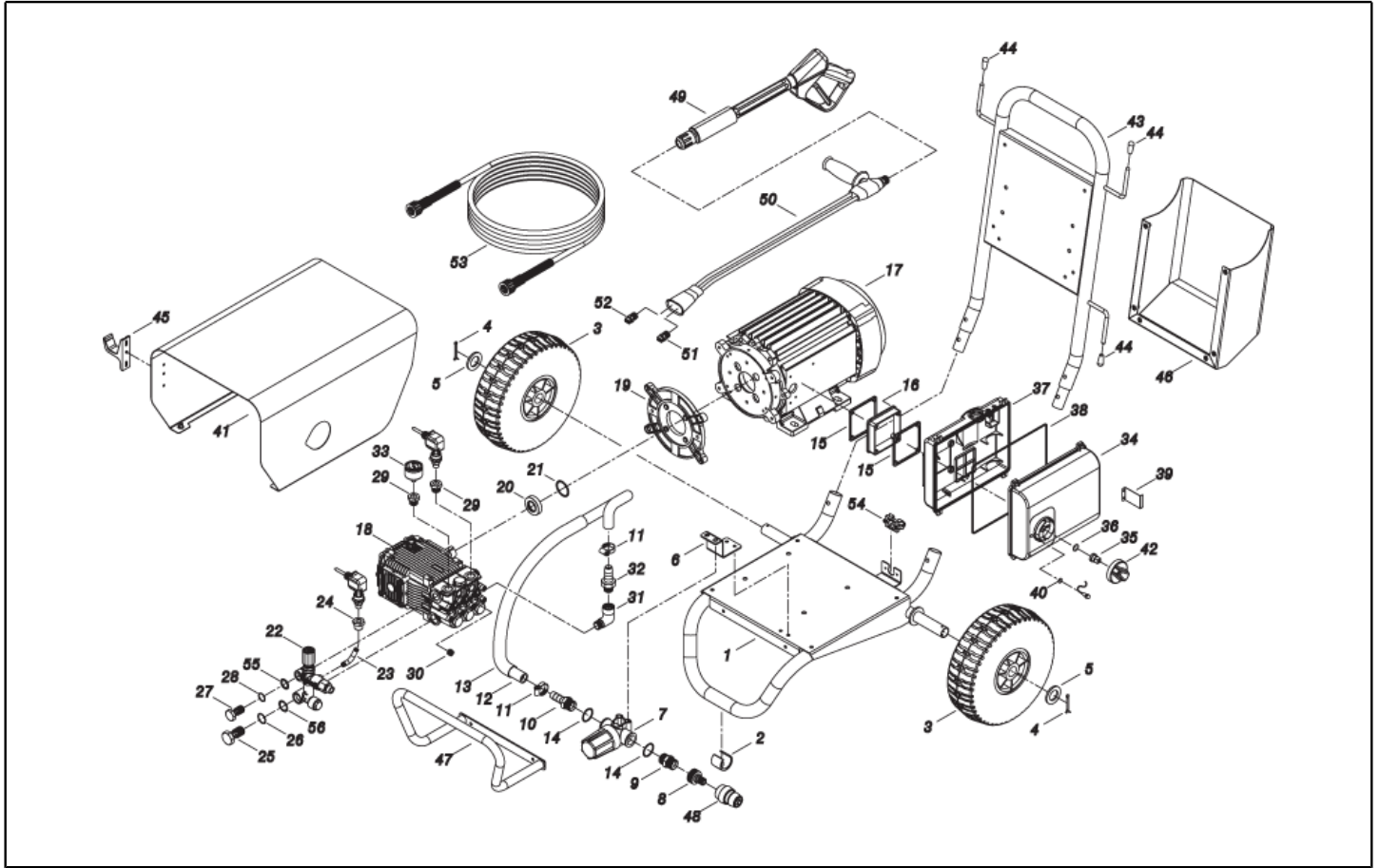


IPC

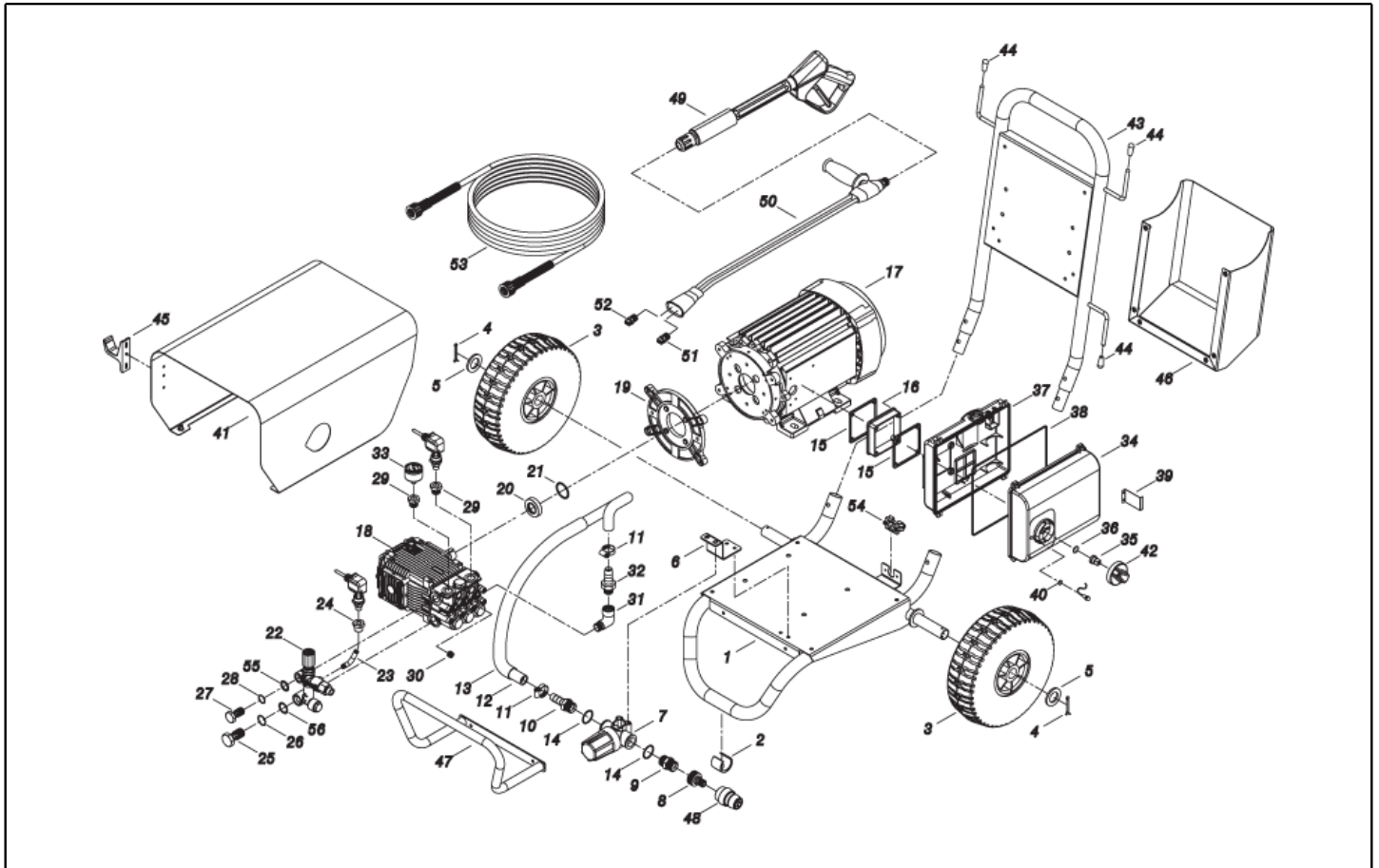
Spare Parts List

Ref: IDAF50800

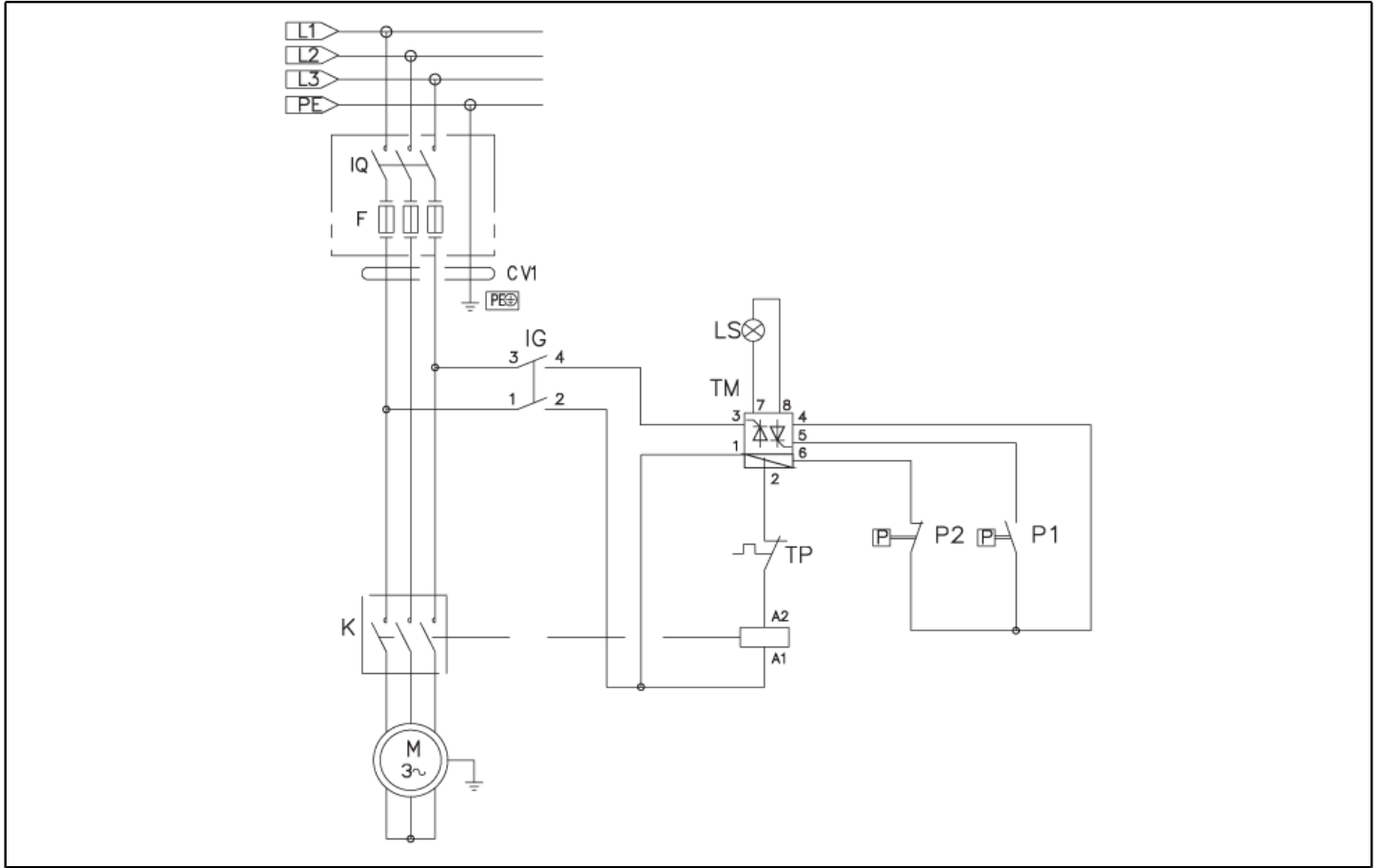
Model: PW 200/21 TRI X



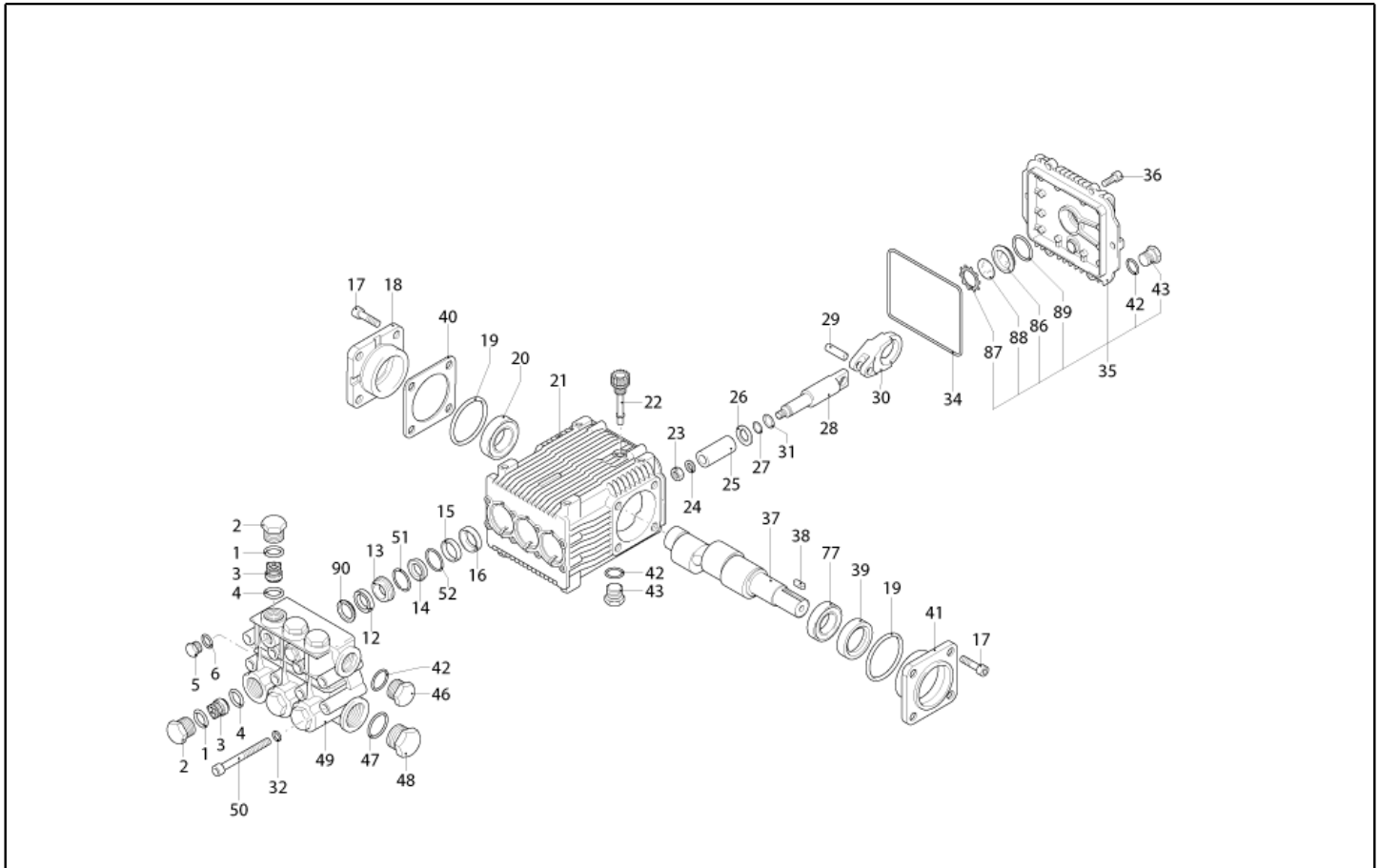
Ref. K	Part N.	Customer Part N.	Description	Quantity	Validity		Price
					From	To	
0001	LAFN40802		CHARIOT PW-C85 7.5-9HP AL.	1,00			--
0002	MPVR40787		PETIT PIED D.28-30MM P.7.5MM	1,00			--
0003	RTRT40007		ROUE D. 11,4"X 4/4 -D.25 PN.	2,00			--
0004	VTVR00475	00000475	GOUPILLE D. 4X40	2,00			--
0005	VTRS73055	00073055	RONDELLE D.44x26x4 ZC U.6592	2,00			--
0006	LAFN40807		ETRIER FILTRE PW-C85 7.5HP AL.	1,00			--
0007	FTAC40015		FILTRE EAU 3/4 FF 100MS 55L/1 TC	1,00			--
0008	RCVR29600	00029600	PRISE PTC 3/4 F	1,00			--
0009	RCVR40006		NIPPLE 3/4 - 3/4 D.18 L=60 PPL	1,00			--
0010	RCVR40004		RACC. P. TUYAU PPL D.15 -G.3/4M	1,00		30/04/2016	--
0010	RCVR40181		RACC. P. TUYAU PPL D.16 -G.3/4M ARG	1,00	01/05/2016		--
0011	FSVR00431	00000431	COLLIER D. 16-25	2,00			--
0012	TBBP40097		TUYAU D. 16 SPIRAC/AL 15B.	0,60		30/04/2016	--
0012	TBBP40103		TUYAU D. 16 R6 EXCEEDS 1TE	0,60	01/05/2016		--
0013	TBFX72726	00072726	TUYAU in PVC con SPIRALE D.25	0,55			--
0014	GUGO01043	00001043	O-RING D. 25.07 X 2.62 NBR 70SH	2,00			--
0015	GUGO10881	00010881	JOINT M.E.L. 73X73	1,00			--
0015	GUGO10881	00010881	JOINT M.E.L. 73X73	1,00			--
0016	MPVR40348		ENTRETOISE C50 H.22 PP	1,00			--
0017	MOTR40058		MOTEUR 3PH C85 HP 9 2/460-5/60 RR/K	1,00			--
0018	PPAP40063		POMPE RK 20.19 DX NC 21LT.	1,00			--
0019	MFVR21735	00021735	CONTRE-BRIDE MEC 112 2.V	1,00			--
0020	RCDS40109		DOUILLE AR RK OT	1,00			--
0021	GUGO42285	00042285	O-RING D. 35 X 2.5 VIT.70SH	1,00			--
0022	VVAZ40078		SOUPAPE VRF-2 AR-R PPr.S/IN.M22	1,00			--
0023	RCDS40232		RACCORD L= 51 2X1/8M CN. IX.	1,00			--
0024	RCVR02589	00002589	MANCHON 1/8-1/4 F A6	1,00			--
0025	RCDS40171		VIS CREUSE G 1/2 VRF-2 OT. 2F.	1,00			--
0026	GUGO01048	00001048	O-RING D. 15.88 X 2.62 NBR 70SH	2,00			--
0027	RCDS40172		VIS CREUSE 3/8 VRF-2 OT 4F.	1,00			--
0028	GUGO03510	00003510	O-RING D. 12.37 X 2.62 NBR 70SH	2,00			--
0029	PVVR40175		BOUCHON AR RR C/F. 1/8F+OR	1,00			--
0029	PVVR40175		BOUCHON AR RR C/F. 1/8F+OR	1,00	01/11/2015		--
0030	RCVR09058	00009058	BOUCHON 1/4 M EI D. 8	1,00			--
0031	RCVR40116		COUDE 1/2" M/F A10	1,00			--
0032	RCVR73008	00073008	RACC. P. TUYAU 1/2 D.17 454/A	1,00			--
0033	MNMN18650	00018650	MANOMETRE 0-300 D.40	1,00			--
0034	MPVR40789		COUVERCLE BOITE PW-C85 C/F.Led ABS BK.	1,00			--
0035	MPVR23482	00023482	TALON TEC. TUV	1,00			--
0036	GUGO25527	00025527	O-RING D. 14 X 3 NBR 70SH	1,00			--
0037	MPVR40669		BOITE CONTROLE PW-C50 MP/DS ABS BK.	1,00			--
0038	GUGO33675	00033675	JOINT MOUSSE D. 4	0,90			--
0039	LAFN40830		SUPPORT PW-C85 INX	1,00			--
0040	GUGO40058		JOINT D. 7.7-11 X1 NBR 70SH	1,00			--



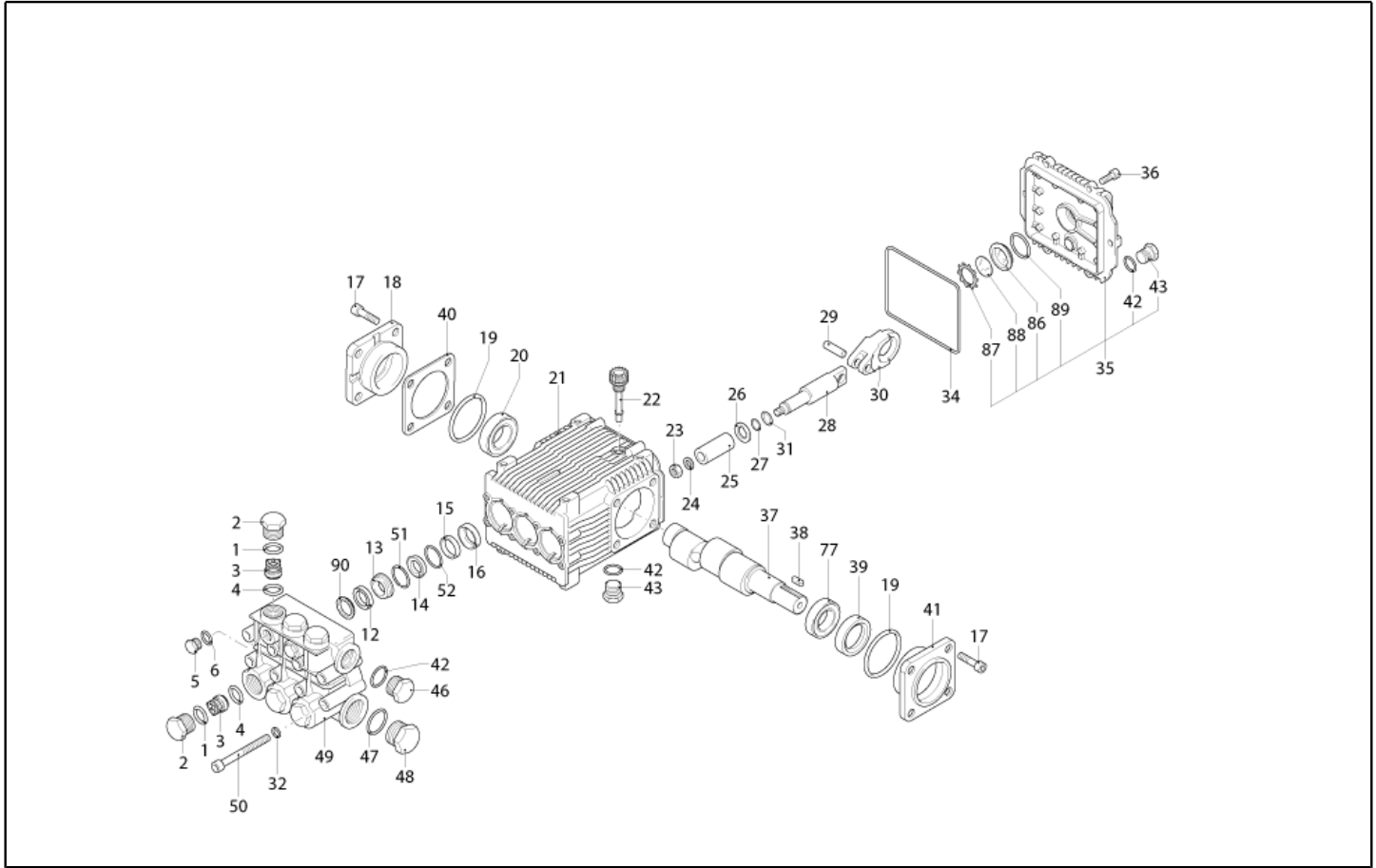
Ref. K	Part N.	Customer Part N.	Description	Quantity	Validity		Price
					From	To	
0041	LAFN40805		COUVERTURE PW-C85 7.5-9HP AL.	1,00			--
0042	MPVR49057	00049057	POIGNEE NOIRE P176-M.RACE PA6	1,00			--
0043	LAFN40803		POIGNEE PW-C85 7.5-9HP AL.	1,00			--
0044	MPVR32471	00032471	EMBOUT D. 8 BK	3,00			--
0045	MPVR14947	00014947	PORTE LANCE NYL 66	1,00			--
0046	LAFN40818		PORTE-OUTIL PW-C85 NTR AL.	1,00			--
0047	LAFN40806		PARE-CHOC PW-C85 7.5-9HP AL.	1,00			--
0048	RCLR29602	00029602	RACCORD D. 1/2"-5/8" PTC	1,00			--
0049	IPPR40020		POIGNEE G 6000+P.330 +M22 SW.M V	1,00			--
0050	LCPR12983	00012983	RALLONGE DOUBLE PD 70	1,00			--
0051	UGLN02303	00002303	BUSE LECH 1/4 15065	1,00			--
0052	UGLN22129	00022129	BUSE LECH 1/4 1508	1,00			--
0053	TBAP40062		TUYAU H.P. R1 MT 15 5/16" C/2 IRV ZC	1,00			--
0054	MEVR33994	00033994	COLLIER DE SER. 4228 B D. 6- 18	1,00			--
0055	VTRS00548	00000548	RONDELLE D.17,5X23X1,5 (3/8)RM	1,00	01/02/2016		--
0056	VTRS00549	00000549	RONDELLE D.21,5X27X1,5 (1/2) RM	1,00	01/02/2016		--



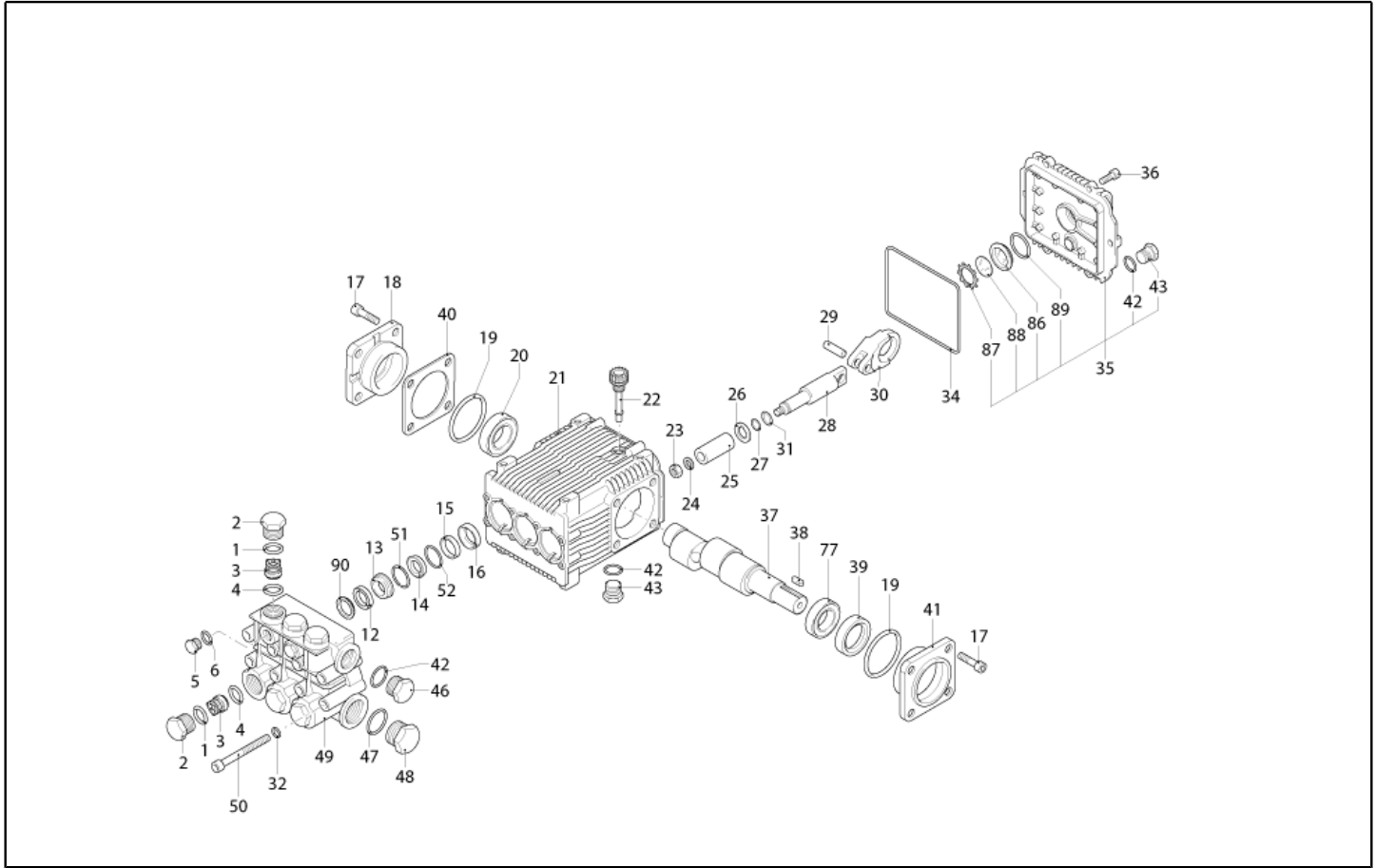
Ref. K	Part N.	Customer Part N.	Description	Quantity	Validity		Price
					From	To	
K	METT40021		TELERUPTEUR SIE 3RT 2025-1AV00 400V	1,00			--
IG	MECI40020		INTERRUPTEUR BRM BP. 0-1 12A	1,00			--
LS	MELF40004		AMPOULE LED RD. 6V H8TT RR FL 06	1,00			--
P1	MEPF39741	00039741	PRESSOSTAT MTM 1/8M NA/NC 25B. MICRO	1,00			--
P2	MEPF39902	00039902	PRESSOSTAT MTM 1/4M NA/NC 25B. MICRO	1,00			--
TM	METY40004		MINUTEUR THV/1-DS 400-5/60 30S.2P	1,00			--
TM	METY40000		MINUTEUR THV/1 400-5/60 30S.VM	1,00		22/03/2016	--
TM	METY40003		MINUTEUR THV/1 400-5/60 30S.2P	1,00	23/03/2016		--
CV1	MECB89888		CABLE H07 RNF 4X2.5 L=6.500	1,00			--



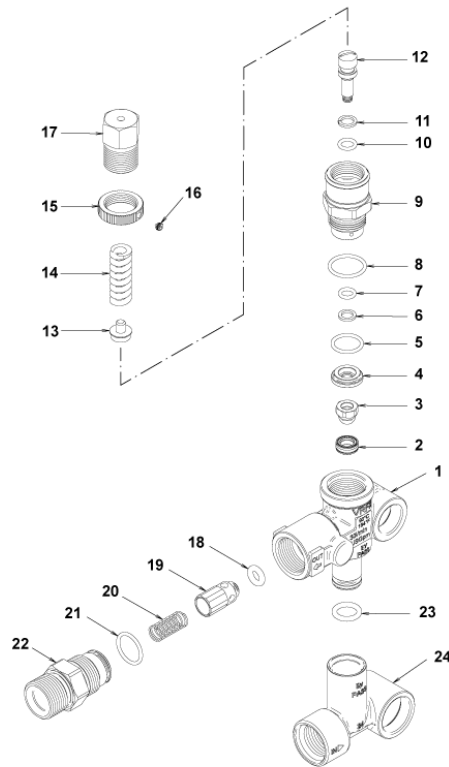
Ref. K	Part N.	Customer Part N.	Description	Quantity	Validity		Price
					From	To	
0001	GUGO03502	00003502	O-RING D. 17.86 X 2.62 NBR 70SH	6,00			--
0002	PVVR40161		BOUCHON AR RR	6,00			--
0003	S VVAM40003		ENSEMBL. CLAPET RR	6,00			--
0004	S GUGO02259	00002259	O-RING D. 15.54 X 2.62 NBR 70SH	6,00			--
0005	PVVR40129		BOUCHON 1/4 M RC	2,00			--
0006	GUGO01036	00001036	O-RING D. 10.82 X 1.78 NBR 70SH	2,00			--
0012	S GUVR40051		BAGUE D'ETANCH. D. 22 RK W1	3,00			--
0013	PVVR40212		BAGUE INTERMED. D.22 RK	3,00			--
0014	S GUVR40050		BAGUE D'ETANCH. D. 22 RK W2	3,00			--
0015	PVVR40210		ENTRETOISE D. 35 RK	3,00			--
0016	S GUGO40022		JOINT SPI RK	3,00			--
0017	VTVT01118	00001118	VIS TCEI M 8X16 ZC. UNI 5931	8,00			--
0018	MFVR40038		COUVERCLE CART. AR RK LT.	1,00			--
0019	S GUGO01053	00001053	O-RING D. 60 X 2.62 NBR 70SH	2,00			--
0020	CUVR40011		ROULEMENT 30304 DQ	1,00			--
0021	MFVR40039		CARTER POMPE AR RK	1,00			--
0022	PVVR19231	00019231	BOUCHON HUILE XTS	1,00			--
0023	VTDD00483	00000483	ECROU M 8 ZIN UNI 5588	3,00			--
0024	VTRS19394	00019394	RONDELLE D. 8X13X0.5	3,00			--
0025	S PIVR40009		PISTON D.22X40 RK	3,00			--
0026	PVVR40218		DISQUE RK	3,00			--
0027	GUGO08071	00008071	O-RING D. 4.48 X 1.78 NBR 70SH	3,00			--
0028	PVVR40217		TIGE DE PISTON RK	3,00			--
0029	PVVR40211		CHEVILLE-GOUJON D. 10X25 RK	3,00			--
0030	BLVR40005		BIELLE RK	3,00			--
0031	GUVR40044		BAGUE ANTIEXTR. D. 5 X 8 X1	3,00			--
0032	VTRS00504	00000504	RONDELLE D. 8 TE ZC. UNI 6592	8,00			--
0034	S GUGO40023		O-RING D. 106 X 3 NBR 70SH	1,00			--
0035	MFVR40041		COUVERCLE CART. AR RK	1,00			--
0036	VTVT01114	00001114	VIS TCEI 6X14 UNI 5931	6,00			--
0037	ALMO40017		ARBRE AR RK20.19 NC	1,00			--
0038	VTVR41531	00041531	CLAVETTE 8X 7X35 UNI 6604A	1,00			--
0039	S GUGO01245	00001245	JOINT SPI 25X 45X10-L.CM -NBR70	1,00			--
0040	PVVR40214		EPAISSEUR AR 0,20 mm	1,00			--
0041	MFVR40040		COUVERCLE CART. AR RK LAT. OPEN	1,00			--
0042	GUGO09720	00009720	O-RING D. 14 X 1.78 NBR 70SH	3,00			--
0043	PVVR40099		BOUCHON 3/8 M HRM	1,00			--
0046	PVVR40099		BOUCHON 3/8 M HRM	1,00			--
0047	GUGO19245	00019245	O-RING D. 17.5 X 2 NBR 70SH	1,00			--
0048	PVVR40121		BOUCHON 1/2 M RC	1,00			--
0049	MFVR40042		CULASSE AR RK OT.	1,00			--
0050	VTVT37530	00037530	VIS TCEI M 8X70 UNI 5931	8,00			--
0051	S GUGO10379	00010379	O-RING D. 22 X 2 NBR 70SH	3,00			--
0052	S GUGO40024		O-RING D. 28.25 X 1.78 NBR 70SH	3,00			--



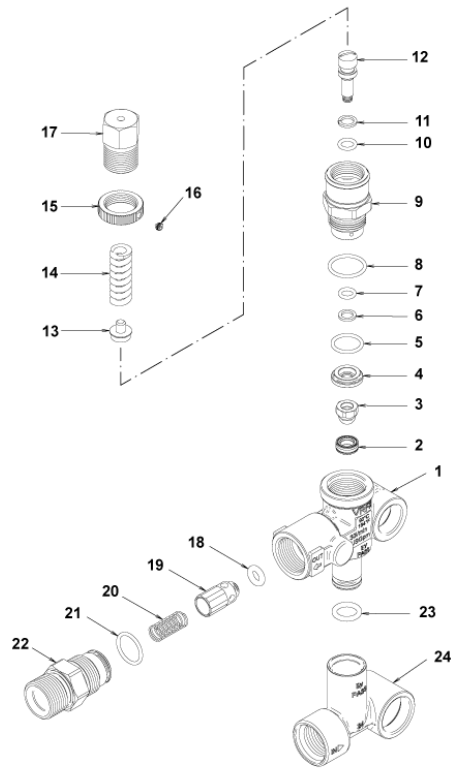
Ref. K	Part N.	Customer Part N.	Description	Quantity	Validity		Price
					From	To	
0077	CUVR66788		ROULEMENT D.25X52X16,25 30205 SKF	1,00			--
0086	PVVR19238	00019238	VOYANT HUILE XTS	1,00			--
0087	VTAE19239	00019239	SEEGER 0,5 X25,35X16,0	1,00			--
0088	PVVR40199		DISQUE CONTRASTO POMPA RW	1,00			--
0089	GUGO19395	00019395	O-RING D. 20.24 X 2.62 NBR 70SH	1,00			--



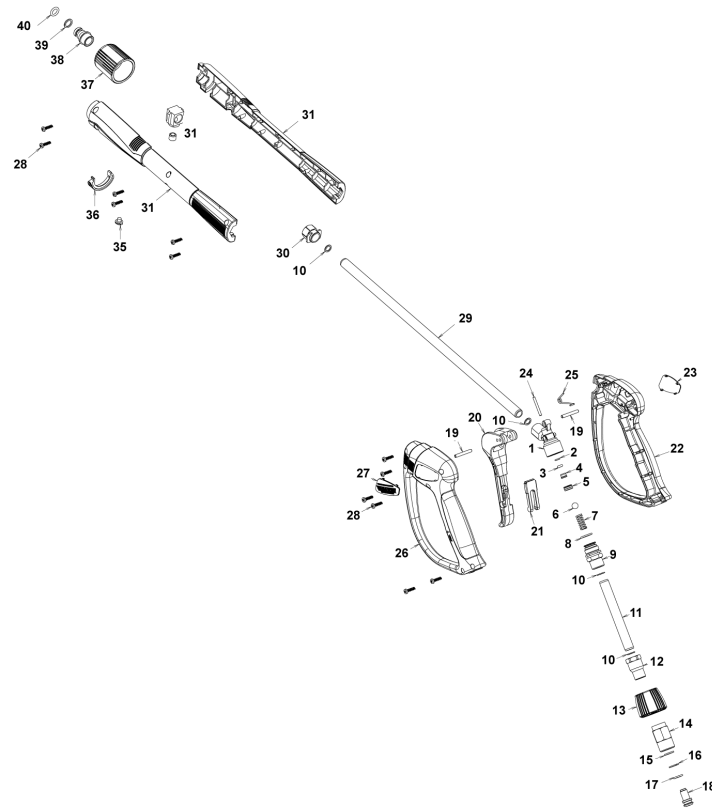
Ref. Part N.	Cust. Part N.	Description	Reference	Price
K A	KTRI40142	KIT P 15-42909 RR	0003 0004	--
K B	KTRI40166	KIT P 15-2526 D.22 RK	0025	--
K C	KTRI40167	KIT P 15-1855 RK	0016 0019 0034 0039	--
K E	KTRI40168	KIT P 15-42925 D.22 RK	0012 0014 0051 0052	--



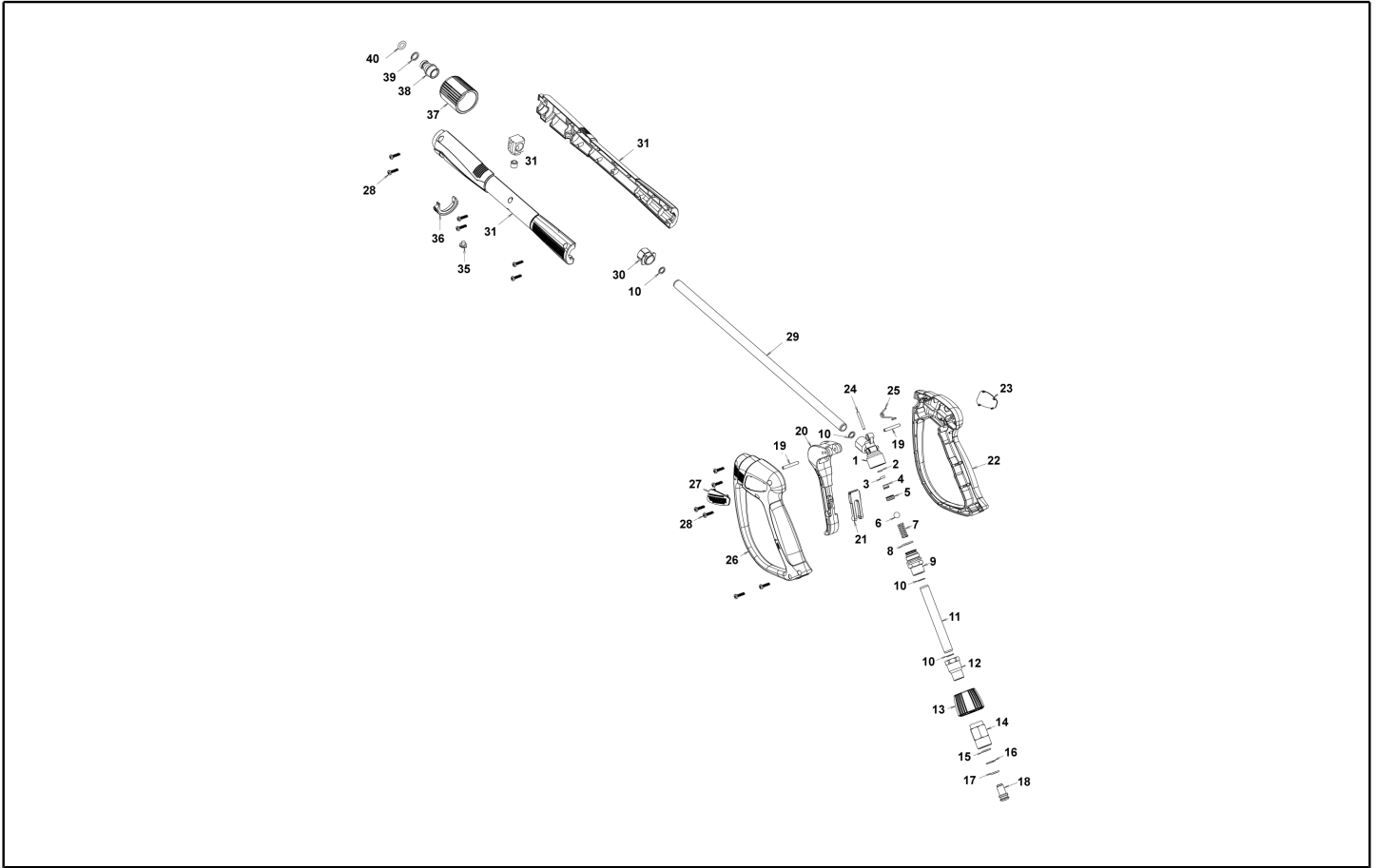
Ref. K	Part N.	Customer Part N.	Description	Quantity	Validity		Price
					From	To	
0001	PVVR40375		CORPS VALVE VRF2 +G1/8 F	1,00			--
0002	S PVVR40363		SIEGE SOUPAPE MV124 +OR	1,00			--
0003	S PVVR40364		OBTURATEUR MV124	1,00			--
0004	S PVVR40365		ENTRETOISE MV124	1,00			--
0005	S GUGO12322	00012322	O-RING D. 14 X 1.78 NBR 90SH	1,00			--
0006	S GUVR40072		BAGUE ANTIEXTR. D. 6.5X 9.4	1,00			--
0007	S GUGO83861		O-RING D. 6.07 X 1.78 NBR 90SH	1,00			--
0008	S GUGO24913	00024913	O-RING D. 17.17 X 1.78 NBR 90SH	1,00			--
0009	S PVVR40366		RACCORD VRF2 D.10	1,00			--
0010	S GUGO03500	00003500	O-RING D. 6.75 X 1.78 NBR 70SH	1,00			--
0011	S GUVR40073		BAGUE ANTIEXTR. D. 7.1X10 X1.2 TBT	1,00			--
0012	S PVVR40367		PETIT PISTON D.10 VRF2	1,00			--
0013	PVVR40368		COUPELLE RESS. MV124 25B	1,00			--
0014	MLML40027		RESSORT D. 3.0/6.0 X38.85	1,00			--
0015	PVVR40369		FRETTE MV167.09	1,00			--
0016	VTVT89696		VIS EI-ST 4X 4 UNI5927 ZC	1,00			--
0017	PVVR40370		CAPUCHON VRF2 M18X1	1,00			--
0018	S GUGO46053	00046053	O-RING D. 6 X 3 NBR 90SH	1,00			--
0019	S PVVR40349		OBTURATEUR VRT3	1,00			--
0020	S MLML40026		RESSORT VRT3	1,00			--
0021	S GUGO12321	00012321	O-RING D. 15.6 X 1.78 NBR 90SH	1,00			--
0022	PVVR40374		RACCORD VRT3 M22 M	1,00			--
0023	S GUGO11225	00011225	O-RING D. 10.78 X 2.62 NBR 70SH	1,00			--
0024	PVVR40373		RACCORD VRF2.24	1,00			--



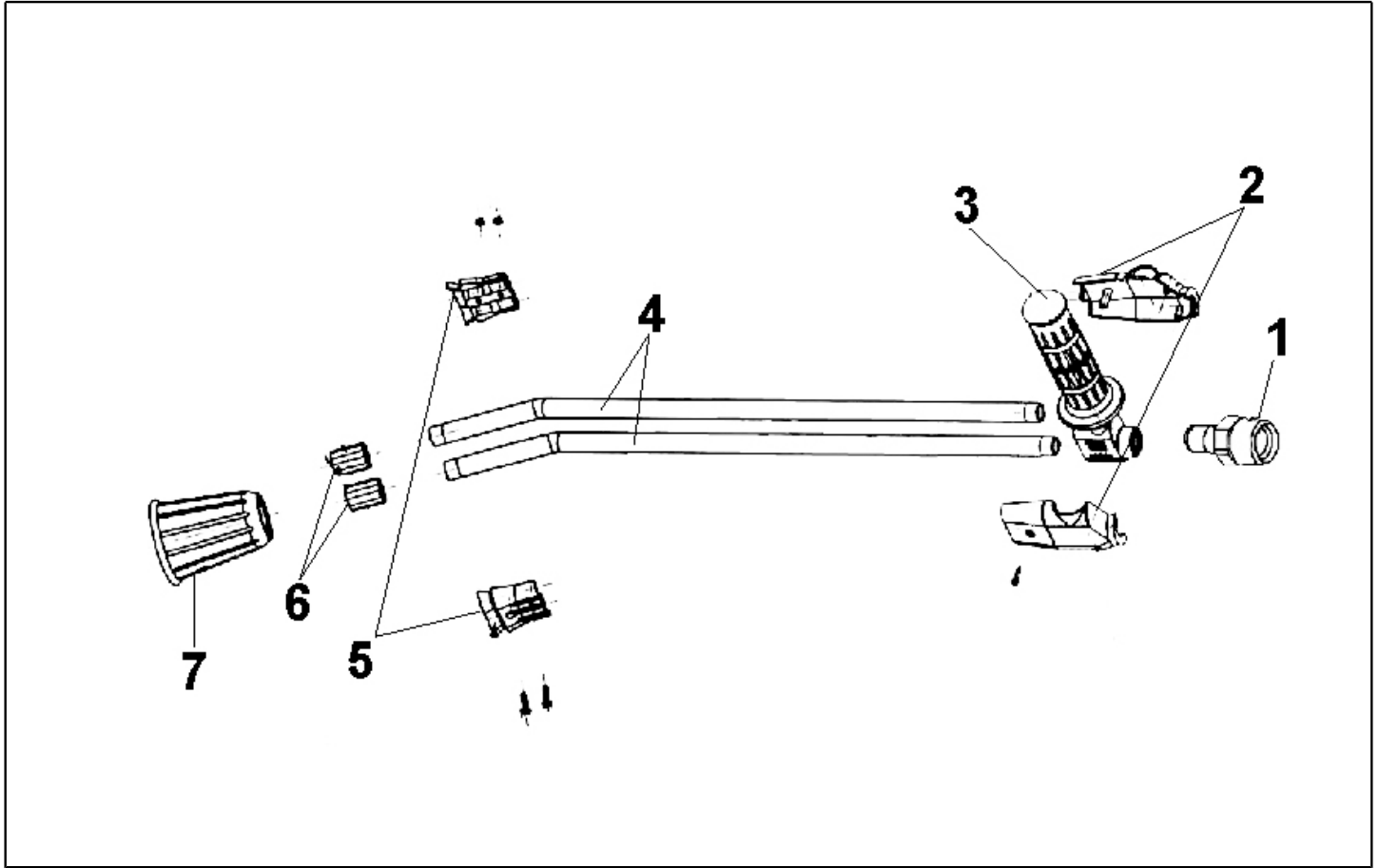
Ref. Part N.	Cust. Part N.	Description	Reference	Price
KTRI40236		KIT P 14-103 VRF2	0002 0003 0004 0005 0006 0007 0008 0009 0010 0011 0012 0018 0019 0020 0021	--
KTRI40237		KIT P 14-104 SEAL VRF2	0002 0003 0005 0006 0007 0008 0010 0011 0018 0021	--



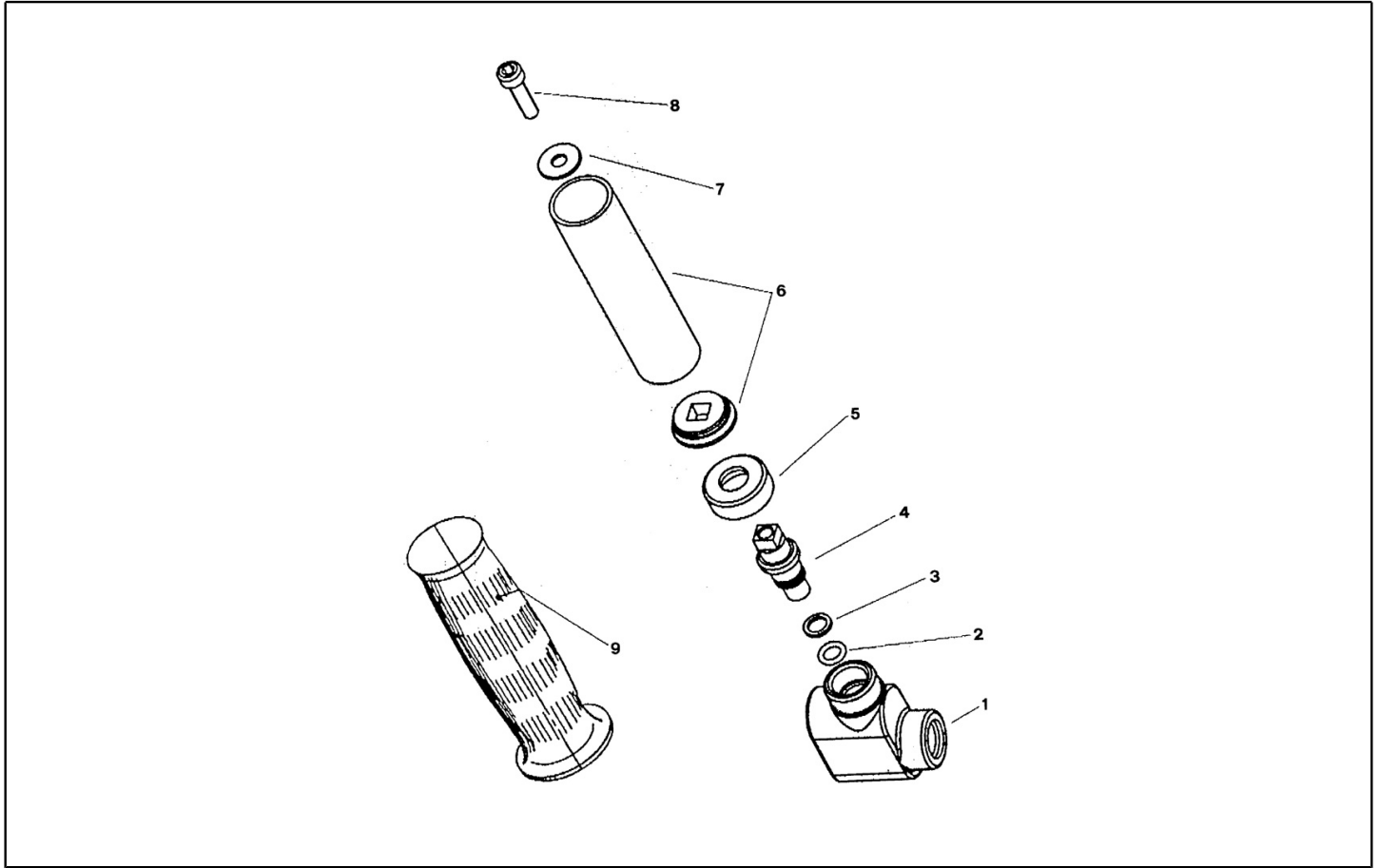
Ref. K	Part N.	Customer Part N.	Description	Quantity	Validity		Price
					From	To	
0001	PVVR40381		CORPS PISTOLET G 5100 G1/4F	1,00			--
0002	S GUVR40074		BAGUE ANTIEXTR. D. 3 X 7.4X1.3	1,00			--
0003	S GUGO21835	00021835	O-RING D. 2.84 X 2.62 VIT. 80SH	1,00			--
0004	PVVR40382		TIGE DE PISTON G 5100	1,00			--
0005	S PVVR40112		SIEGE BILLE G 5000	1,00			--
0006	S SFVR40002		BILLE D.11/32" ALL.GR16	1,00			--
0007	MLML40016		RESSORT D. 9.4 x21.5x1.6 G5000	1,00			--
0008	GUGO12322	00012322	O-RING D. 14 X 1.78 NBR 90SH	1,00			--
0009	PVVR40383		RACCORD COLL.G5100 1/4F	1,00			--
0010	VTRS40017		RONDELLE D. 8.2X11,4X1.00	4,00			--
0011	PVVR40384		TUYAU G 1/4" L.105	1,00			--
0012	RCIN40022		RACCORD SWIV G5100 1/4F	1,00			--
0013	MPVR40819		FRETTE G 5100 SW. BK.	1,00			--
0014	RCIN40021		BRANCHEMENT SWIV 5100 M22	1,00			--
0015	S GUVR40075		BAGUE ANTIEXTR. D. 10 X14X1.5	1,00			--
0016	S GUVR40076		BAGUE ANTIEXTR. D. 11.2X14X1.2	1,00			--
0017	S GUGO15295	00015295	O-RING D. 10.82 X 1.78 VIT 80SH	1,00			--
0018	PVVR40386		VIS SW. G 5100	1,00			--
0019	VTVR40047		GOUPILLE D. 4X29	2,00			--
0020	MPVR40820		GACHETTE G 6000-SW	1,00			--
0021	MPVR40821		DISP.D.SECURITE G 6000-SW	1,00			--
0022	MPVR40822		COQUILLE G 6000-SW DX	1,00			--
0023	MPVR40823		PLAQUE G 6000 GR.DX	1,00			--
0024	PVVR40387		PETIT PISTON G 5100	1,00			--
0025	MLML40029		RESSORT G 5100	1,00			--
0026	MPVR40824		COQUILLE G 6000-SW SX	1,00			--
0027	MPVR40825		PLAQUE G 6000 GR.SX	1,00			--
0028	VTVT40043		VIS AF 4X 14 HILO ZN.N	12,00			--
0029	LCPR40086		TUYAU 1/4 L=420 ZC. 0°	1,00			--
0030	MPVR40493		RACCORD G 5100-SW	1,00			--
0031	MPVR40494		PROTECTION P 420 C/AN.	1,00			--
0035	MPVR40198		BOUCHON G 5000	1,00			--
0036	MPVR40495		BOUCHON G 5100 REM.	1,00			--
0037	PVVR40119		RONDELLE M22X1,5 IRV G5000	1,00			--
0038	RCIN40009		CHEVILLE-GOUJON G 1/4 F IRV G5000	1,00			--
0039	GUVR40034		BAGUE ANTIEXTR. D. 10 X14	1,00			--
0040	GUGO01946	00001946	O-RING D. 9.13 X 2.62 VIT 70SH	1,00			--



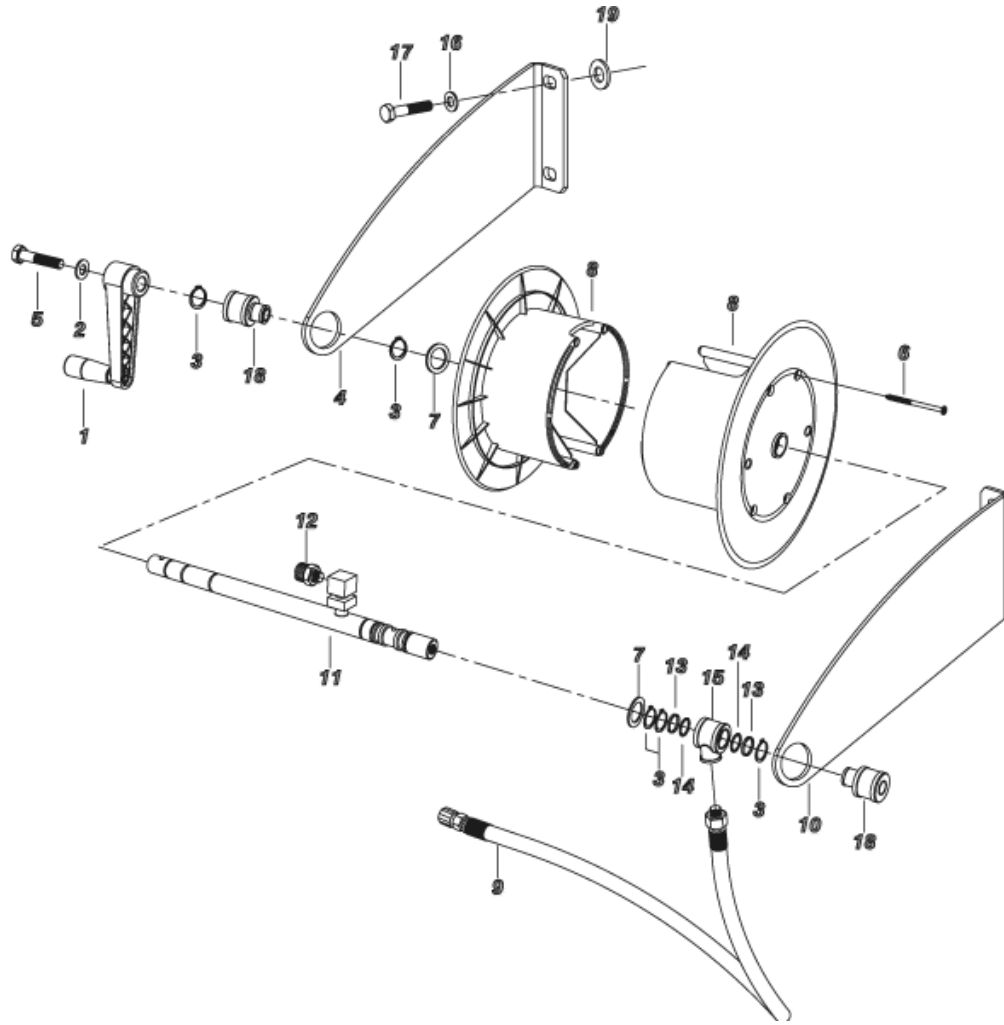
Ref. Part N.	Cust. Part N.	Description	Reference	Price
KTRI40243		KIT P 26- 26 SWIVEL G 5100	0015 0016 0017	--
KTRI40414		KIT P 26- 34 G 6000	0002 0003 0005 0006	--



Ref. K	Part N.	Customer Part N.	Description	Quantity	Validity		Price
					From	To	
0001	PVVR45296	00045296	RACCORD G 1/4M -M22 M +PR.PLS	1,00			--
0002	MPVR45214	00045214	PROTECTION TB.1/4 MTM	1,00			--
0003	RCGR45737	00045737	ROBINET 1/8 F LD MTM	1,00			--
0004	LCPR45740	00045740	TUYAU 1/8 L=660 INOX MTM	2,00			--
0005	MPVR45001	00045001	COQUILLE LD MTM	1,00			--
0006	RCVR45741	00045741	PORTE BUSE 1/4-1/8 F MTM	2,00			--
0007	PVVR43810	00043810	PROTECTION L.D. MTM	1,00			--



Ref. K	Part N.	Customer Part N.	Description	Quantity	Validity		Price
					From	To	
0001	RCGR41556	00041556	CORPS ROBINET L.DOP. 1/8" MTM	1,00		08/03/2010	--
0001	PVVR40132		CORPS VALVE L.DP 1/4F-1/8FF CP.	1,00	09/03/2010		--
0002	GUGO10330	00010330	O-RING D. 6.07 X 1.78 VIT 70SH	1,00		08/03/2010	--
0003	GUVR41551	00041551	BAGUE ANTIEXTR. SR 010	1,00		08/03/2010	--
0004	PVVR41553	00041553	PETIT PISTON L.DP. MTM	1,00		08/03/2010	--
0005	PVVR41555	00041555	FRETTE L.DOP. MTM	1,00		08/03/2010	--
0006	LAFN41552	00041552	TUYAU D. 22 MTM	1,00			--
0007	VTRS15958	00015958	RONDELLE UNI 6592 5X15X1,5 ZB	1,00			--
0008	VTVT17639	00017639	VIS TCEI M 5X10 UNI 5931	1,00			--
0009	MPVR41554	00041554	POIGNEE D. 22 MTM	1,00			--



Ref.	K	Part N.	Customer Part N.	Description	Qty	Validity:		Price
						From	To	
0001		MPVR92147		HANDLE AVV/TUB"SERIE F"138-60 M8	1,00			--
0002		VTRS00504		WASHER D. 8 TE ZC. UNI 6592	1,00			--
0003		VTAE33674		CIRCLIP D. 22 UNI 7435	1,00			--
0003		VTAE33674		CIRCLIP D. 22 UNI 7435	1,00			--
0003		VTAE33674		CIRCLIP D. 22 UNI 7435	1,00			--
0003		VTAE33674		CIRCLIP D. 22 UNI 7435	1,00			--
0003		VTAE33674		CIRCLIP D. 22 UNI 7435	1,00			--
0004		LAFN40808		HOSE WIND.SUPP.PW-H35 SX	1,00			--
0005		VTVT01573		SCREW TCEI 8X25 UNI5931	1,00			--
0006		VTVT40006		SCREW AF TCB-TC 5 X20 HILO INX	4,00			--
0007		VTRS04924		WASHER D.23X 39	1,00			--
0007		VTRS04924		WASHER D.23X 39	1,00			--
0008		MPVR40581		HOSE REEL PRT.ANM PP	1,00	10/2013		--
0008		MPVR40581		HOSE REEL PRT.ANM PP	1,00	10/2013		--
0009		TBAP40169		HOSE-FITTING 5/16 R1 3/8M -M22 F	1,00			--
0010		LAFN40808		HOSE WIND.SUPP.PW-H35 DX	1,00			--
0011		LAFN40551		AXLE PW-H35 3PZ.	1,00			--
0012		RCIN10577		MALE COUPLING 1/4MA	1,00			--
0013		GUVR37665		ANTI-EXTR.RING D.17.8X22 X1.5 PTFE	2,00			--
0014		GUGO01032		O-RING D. 17.13 X 2.62 NBR 70SH	2,00			--
0015		RCDS89862		BLOCK PRT-P237 G3/8 OT.	1,00			--
0016		VTRS00512		WASHER D. 8 X24 ZC.	4,00			--
0017		VTVT00452		SCREW TE 8X 50 UNI 5739	4,00			--
0018		MPVR40518		BUSHING D.28-38/22.5 L=12 PVC N	1,00			--
0018		MPVR40518		BUSHING D.28-38/22.5 L=12 PVC N	1,00			--
0019		VTRS40016		WASHER D.22 X32 X1.2 ZC.	1,00			--
0019		VTRS40016		WASHER D.22 X32 X1.2 ZC.	1,00			--
0019		VTRS40016		WASHER D.22 X32 X1.2 ZC.	1,00			--
0019		VTRS40016		WASHER D.22 X32 X1.2 ZC.	1,00			--