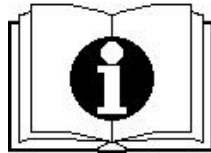




— SCHEMATIC DRAWINGS —

装配示意图



驾驶式洗地机 T90/70R

Scrubber Dryer T90/70R

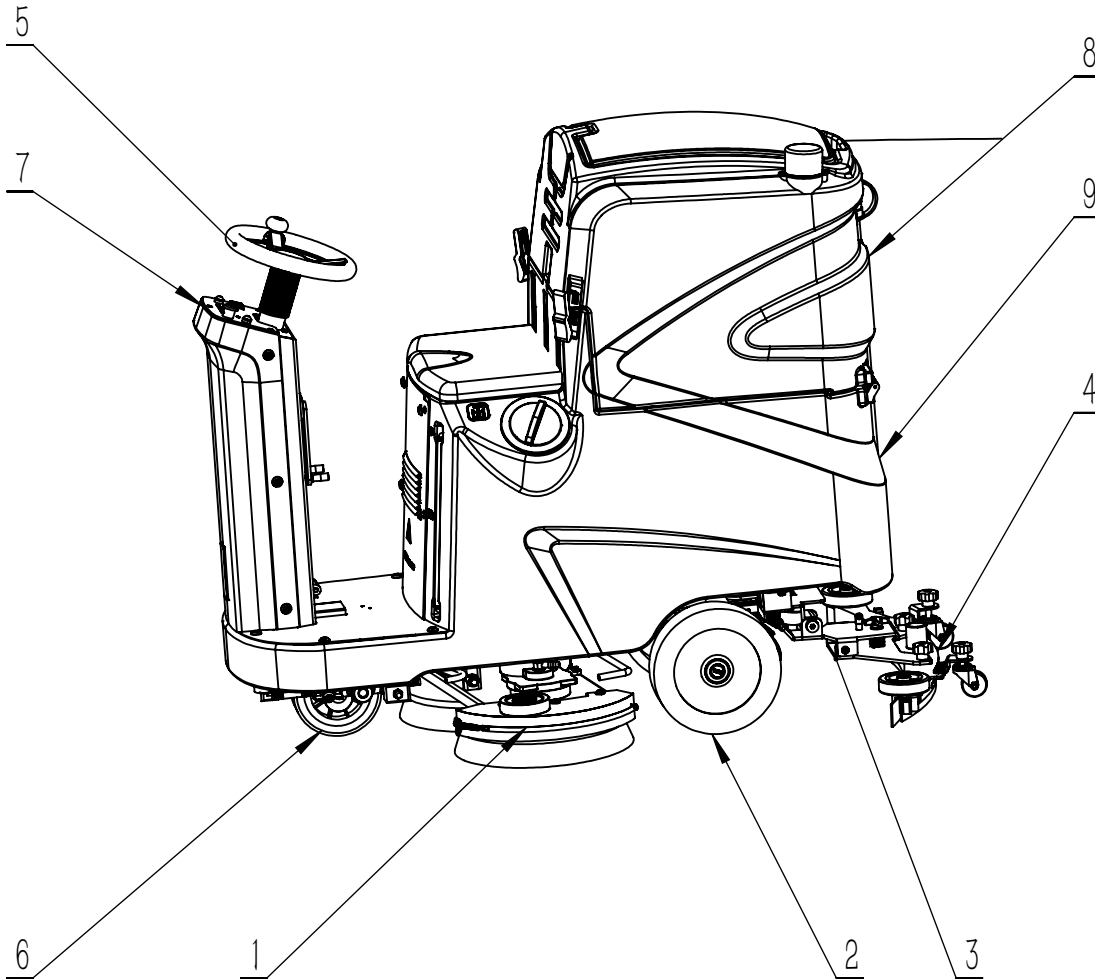
Issued in 2020 Oct.

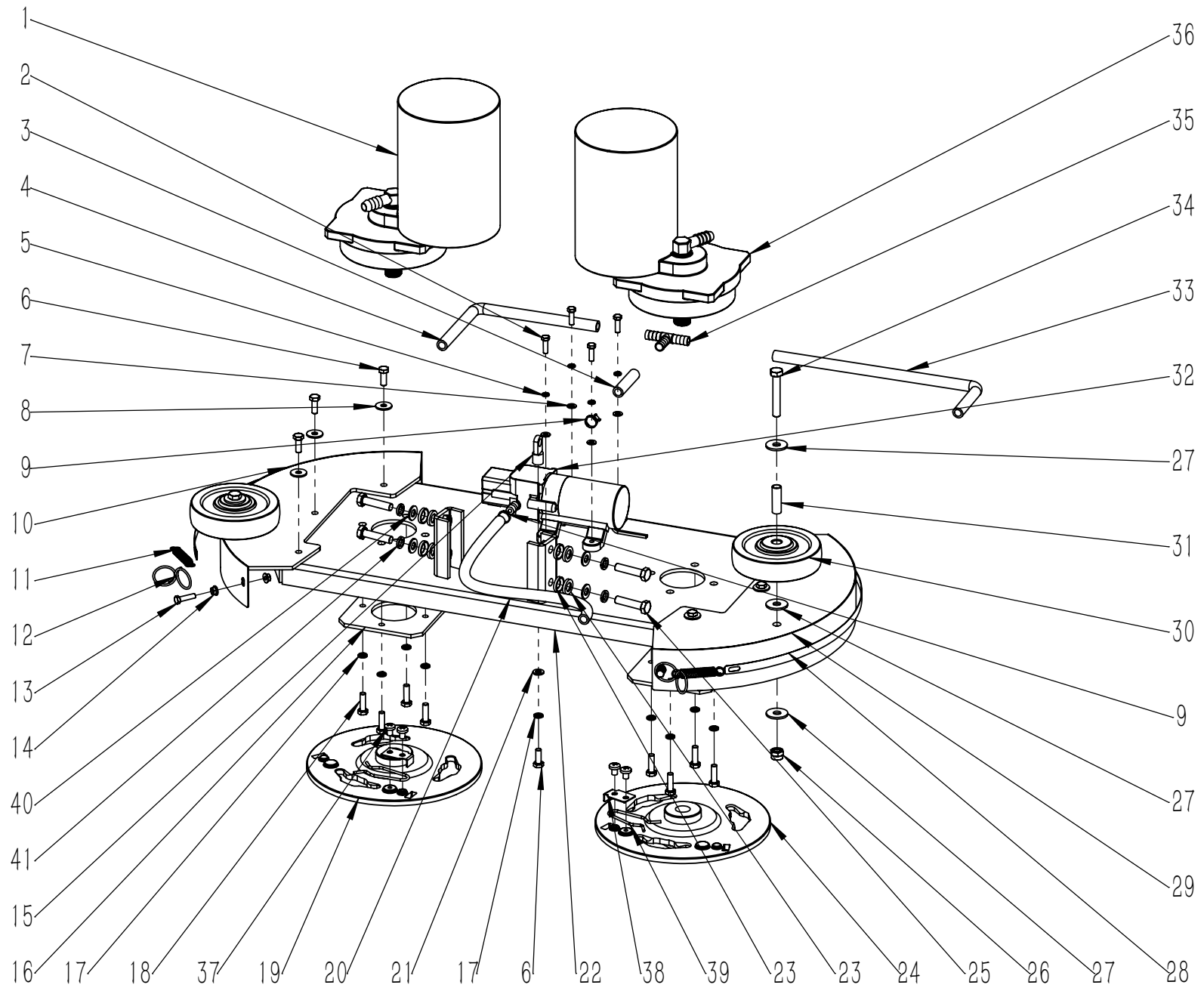
Version: V04



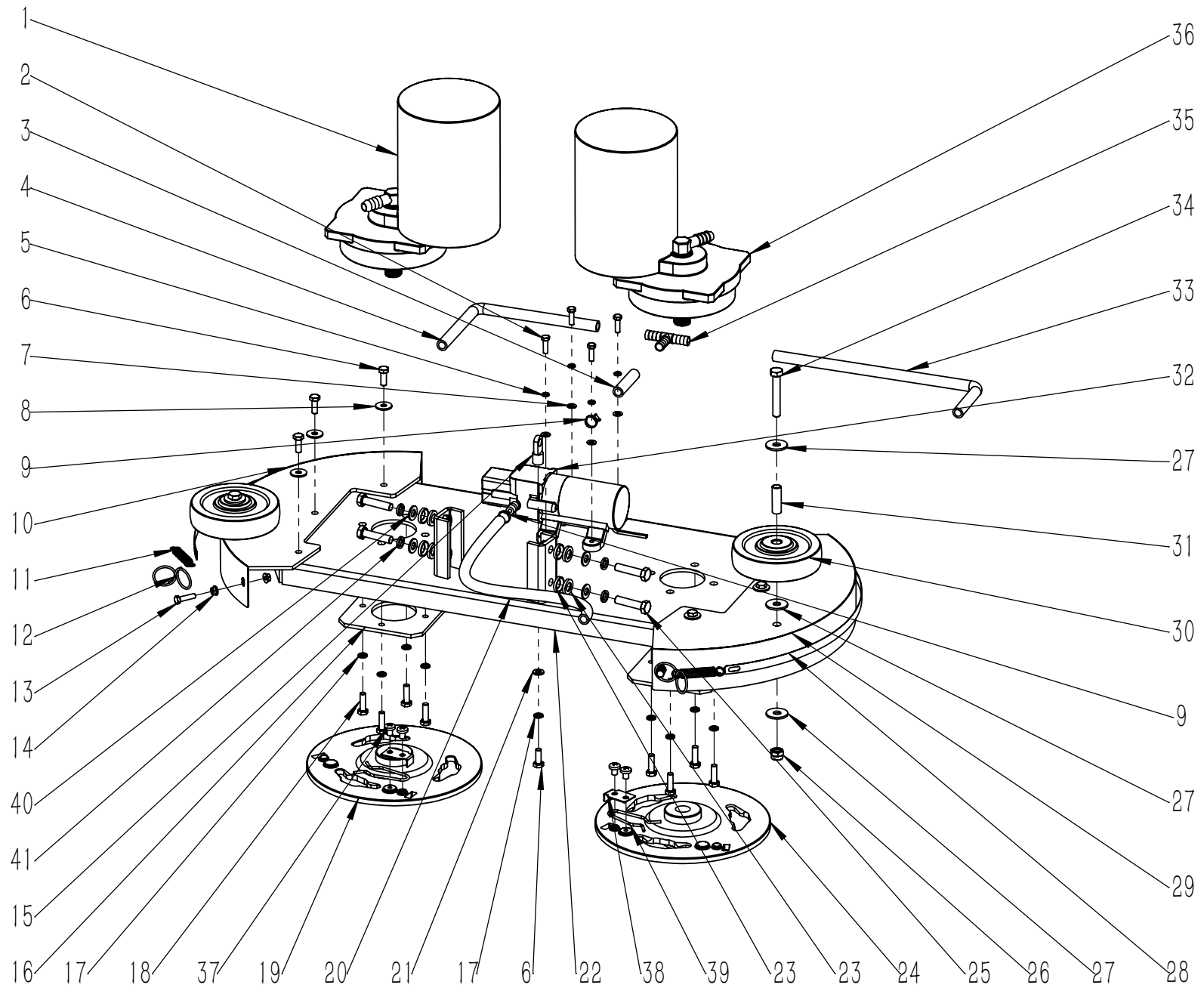
目 录

1. 机头组件·····	1—4
NOSE ASSEMBLY	
2. 底座架组件·····	5—10
FRAME ASSEMBLY	
3. 扒头支架组件·····	11—12
SQUEEGEE CONTROL ASSEMBLY	
4. 扒头组件·····	13—14
SQUEEGEE ASSEMBLY	
5. 转向组件·····	15—20
DIVERSION ASSEMBLY	
6. 从动组件·····	21—22
DRIVE ASSEMBLY	
7. 电器组件·····	23—24
CONTROLLER ASSEMBLY	
8. 污水箱组件·····	25—28
RECOVERY TANK ASSEMBLY	
9. 水箱组件·····	29—34
WATER TANK ASSEMBLY	
10. 附件·····	35—36
ACCESSORIES	

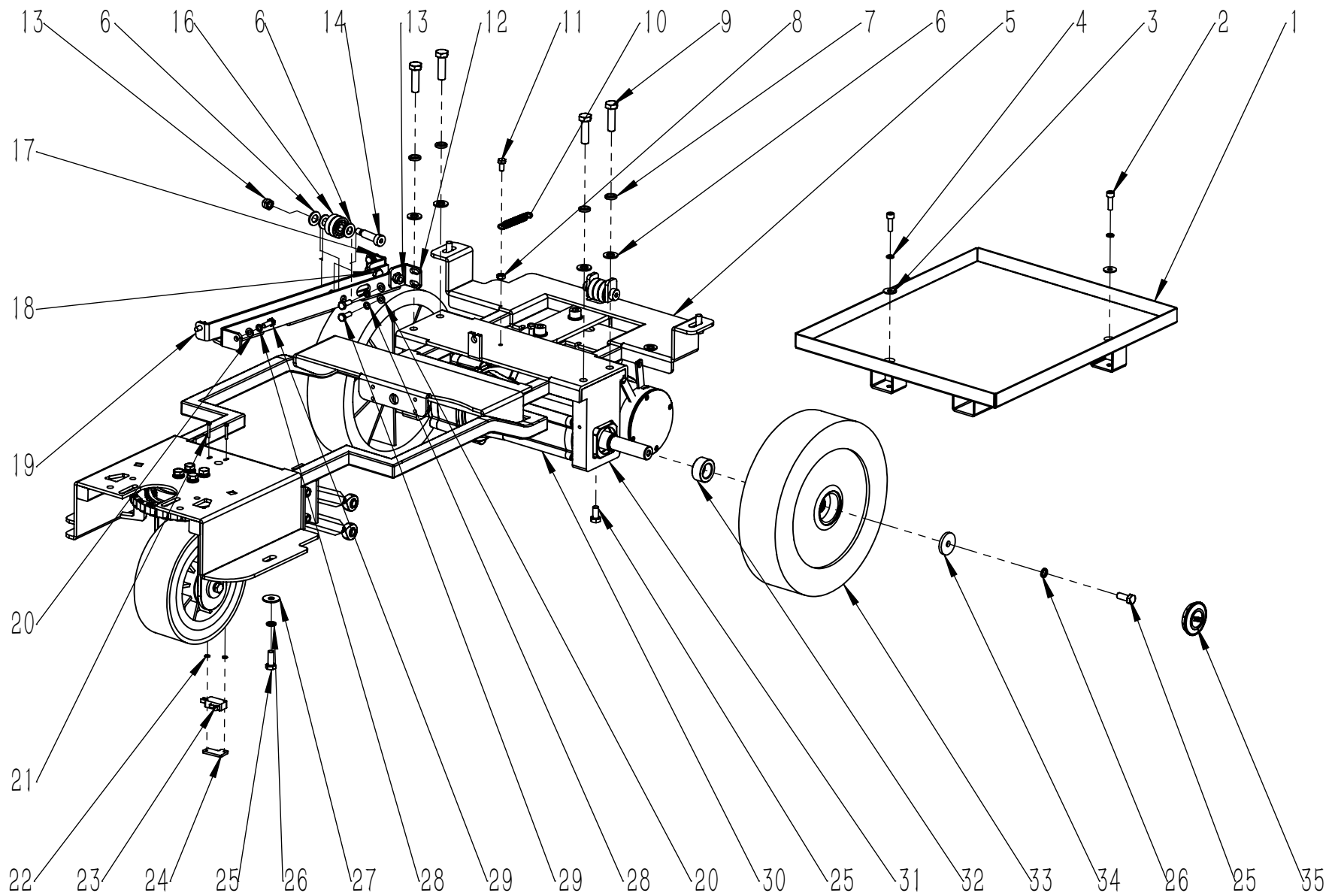




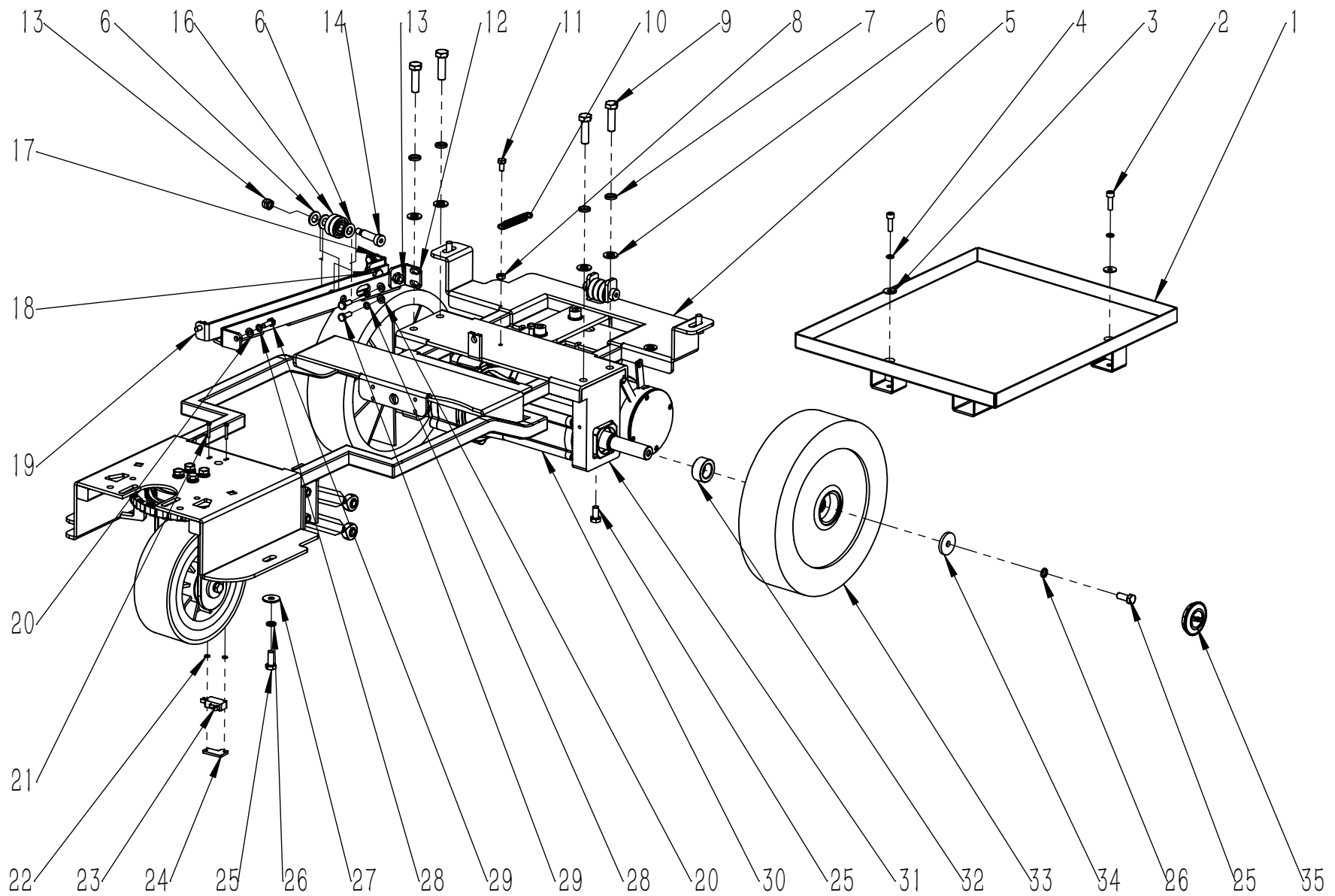
项目号 ITEM	零件号 P/N	数量 QTY	名称	DESCRIPTION
1	E040094-L	1	左刷盘电机-24V-400W	LEFT BRUSH MOTOR 24V 400W
2	N010029	4	外六角 M5x16 不锈钢	SCREW M5x16 A2
3	F050090	1	水管 D=12 d=8 L=50	SILICONE HOSE D=12 d=8 L=50
4	F050091	1	水管 D=12 d=8 L=250	SILICONE HOSE D=12 d=8 L=250
5	N040023	4	弹垫 5 不锈钢	LOCK WASHER M5
6	N010005	7	外六角 M6x16 镀锌	SCREW M6x16 ZINC
7	N030016	4	平垫 5x10x1 不锈钢	WASHER 5x10x1
8	N030008	6	平垫 6x18x1.6 镀锌	WASHER 6x18x1.6 ZINC
9	F050003	2	卡箍 D10-16	SCREW CLAMP Φ10-16
10	A040095	1	机头右护罩 T90 双刷	HEAD COVER RIGHT T90
11	B060012	2	钢条拉簧 1.1x10x55	SPRING 1.1x10x55
12	B070010	2	异型套圈 2x26	RING 2x26
13	N010135	4	外六角 M5x20 不锈钢	SCREW M5x20 A2
14	N020049	8	兰面螺母 M5 不锈钢	NUT M5 A2
15	N060015	1	气弹簧扁头 M6	COUPLNG M6
16	A040065	2	电机固定板	MOTOR PLATE
17	N040001	9	弹垫 6 镀锌	LOCK WASHER M6 ZINC
18	N010006	8	外六角-M6x20-镀锌	SCREW M6x20 ZINC
19	D010043	1	刷盘锁紧器-右-T90 双刷	BRUSH PLATE-RIGHT T90
20	F050089	1	水管 D=12 d=8 L=380	SILICONE HOSE D=12 d=8 L=380
21	N030007	1	平垫 6x12x1.6 镀锌	WASHER 6x12x1.6 ZINC
22	A040101	1	电机座 T90 双电机	MOTOR SUPPORT T90 DOUBLE MOTOR
23	N030072	8	M8 锥面垫圈-GB850-镀锌	M8 TAPERED WASHER GB850 ZINC
24	D010030	1	刷盘锁紧器-左-T90	BRUSH PLATE-LEFE T90
25	N010008	4	外六角-M8x35-镀锌	SCREW M8x35 ZINC
26	N020024	2	自锁螺母 M8 不锈钢	LOCK NUT M8 A2
27	N030028	6	大平垫 8x24x2 不锈钢	WASHER 8x24x2 A2
28	A040102	2	防溅条紧固钢条 10x340mm	BLADE 10x340MM
29	A040094	1	机头左护罩 T90 双刷	HEAD COVER LEFT T90
30	N110019	2	防撞轮 100x29.5	WHEEL Φ100x29.5



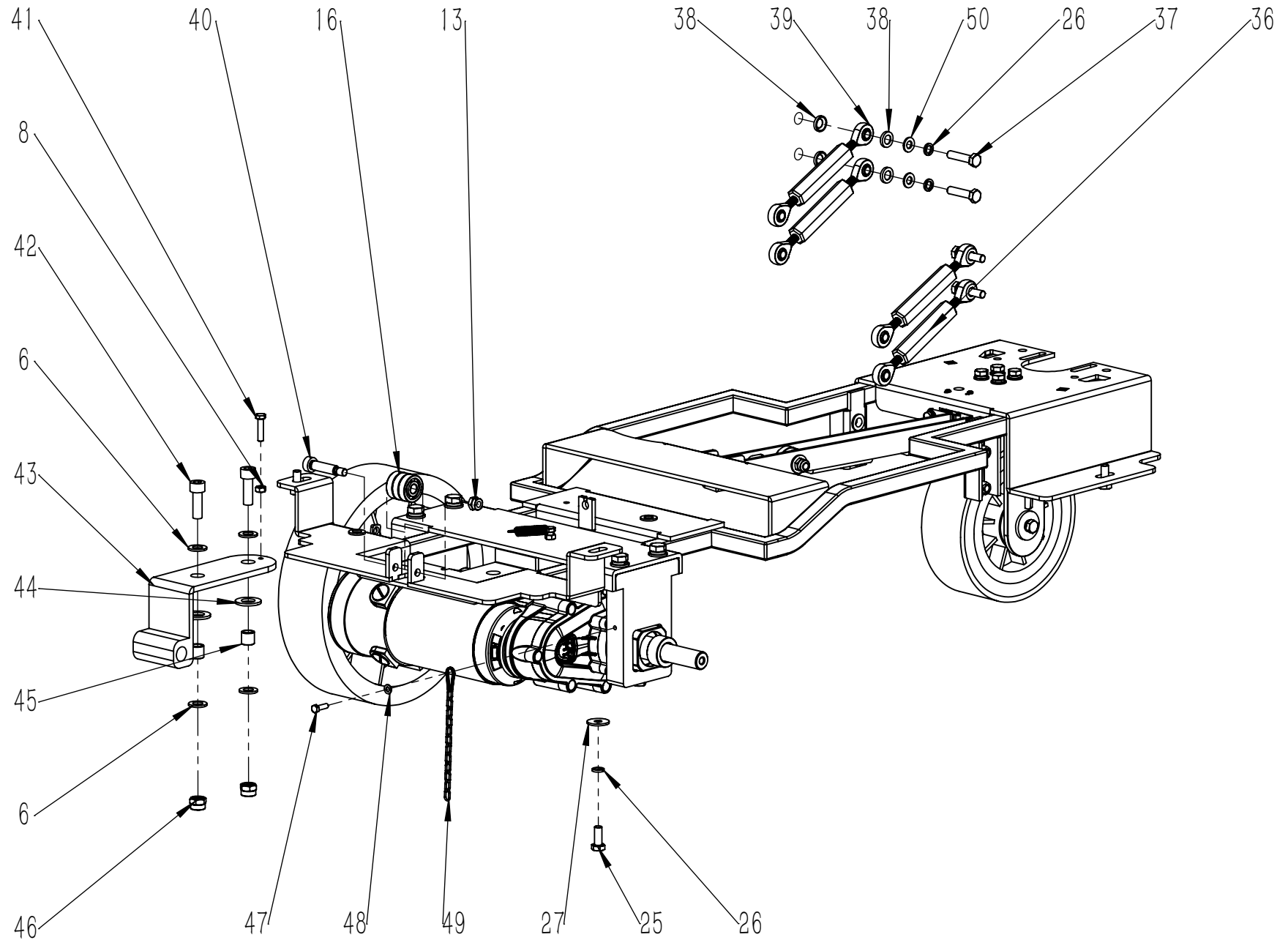
项目号 ITEM	零件号 P/N	数量 QTY	名称	DESCRIPTION
31	B020027	2	防撞轮铜套 8x10x31	BUSHING 8x10x31
32	F010005	1	微型水泵 24V	MICRO WATER PUMP 24V
33	F050092	1	水管 D=12 d=8 L=310	SILICONE HOSE D=12 d=8 L=310
34	N010144	2	外六角 M8x50 不锈钢	SCREW M8x50 A2
35	F020012	1	三通宝塔接头-D=10-d=8	CONNECTOR D=10 d=8
36	E040094	1	刷盘电机-24V-400W	RIGHT BRUSH MOTOR 24V 400W
37	N010179	4	十字盘头-M5x8-不锈钢	SCREW M5x8 A2
38	A040060	2	弹簧锁紧板	SPRING LOCKING PLATE
39	B060122	2	刷盘锁紧器弹簧 D2	LOCKING SPRING Φ2
40	N030006	4	平垫-8x16x1.6-镀锌	WASHER 8x16x1.6 ZINC
41	N040013	4	弹垫-M8-镀锌	LOCK WASHER M8 ZINC



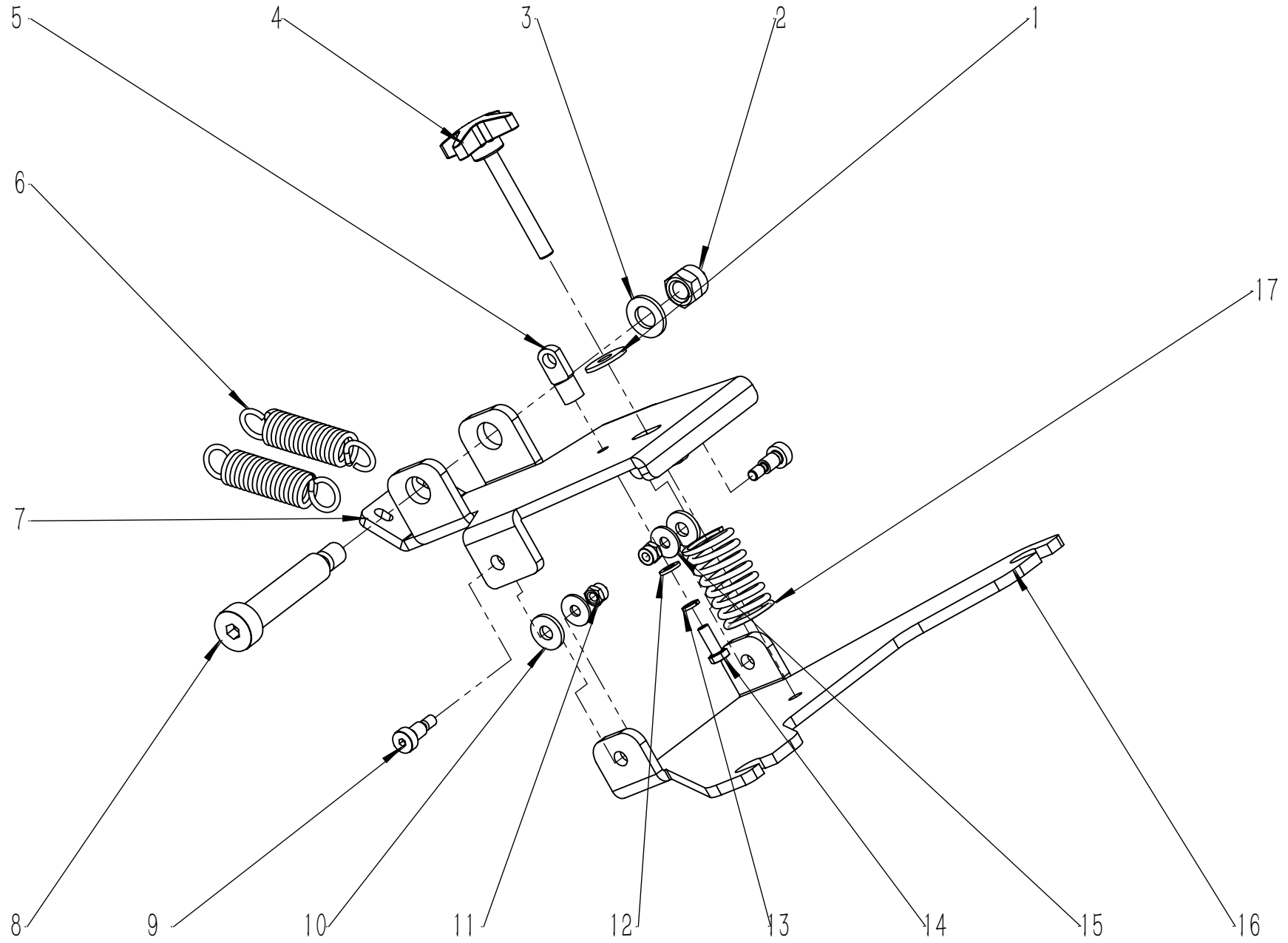
项目号 ITEM	零件号 P/N	数量 QTY	名称	DESCRIPTION
1	A030040	1	电池盒 360x416	BATTERY BASE 360x416
2	N010057	2	内六角圆柱头-M6x20-不锈钢	SCREW M6x20 A2
3	N030022	2	平垫-6x18x1.6-不锈钢	WASHER 6x18x1.6 A2
4	N040011	2	弹垫-M6-不锈钢	LOCK WASHER M6 A2
5	A030101	1	双刷底座架 T90	DOUBLE BRUSH BASE FRAM T90
6	N030004	11	平垫-10x20x2-镀锌	WAHSE 10x20x2 ZINC
7	N040003	4	弹垫-M10-镀锌	LOCK WASHER M10 ZINC
8	N020005	2	六角螺母-M6-不锈钢	NUT M6 A2
9	N010081	4	外六角-M10x35-镀锌	SCREW M10x35 ZINC
10	B060012	1	钢条拉簧 1.1x10x55	SPRING 1.1x10x55
11	N010145	1	外六角-M6x12-不锈钢	SCREW M6x12 A2
12	A040100	1	支撑导轨左安装支架 T90	SUPPORT RAIL LEFT MOUNTING BRACKET T90
13	N020001	4	自锁螺母-M8-镀锌	LOCK NUT M8 ZINC
14	N010305	1	轴肩螺栓-D10x30xM8-达克罗	SHOULDER BOLT D10x30xM8 DACROMET
16	N070009	5	轴承 6200	BEARING 6200
17	A050079	1	支撑导轨右安装支架 T90	SUPPORT RAIL RINGHT MOUNTING BRACKET T90
18	N010121	2	外六角-M8x16-镀锌	SCREW M8x16 ZINC
19	A040099	1	机头拉线支撑导轨 T90	HEAD CABLE SUPPORT RAIL T90
20	N030007	6	平垫-6x12x1.6-镀锌	WASHER 6x12x1.6 ZINC
21	N010071	2	圆头十字-M3x20-镀锌	SCREW M3x20 ZINC
22	N030021	4	平垫-3x7x0.5-尼龙	WASHER 3x7x0.5 NYLON
23	E020029	1	防水微动开关-250V-16A-常开	MICROSWITCH 250V 16A NORMALLY SWITCH ON
24	A020018	1	右开关支架	SUPPORT RIGHT
25	N010034	8	外六角-M8x20-镀锌	SCREW M8x20 ZINC
26	N040013	10	弹垫-M8-镀锌	LOCK WASHER M8 ZINC
27	N030027	4	平垫-8x24x2-镀锌	WASHER 8x24x2 ZINC
28	N040001	6	弹垫-M6-镀锌	LOCK WASHER M6 ZINC
29	N010005	6	外六角-M6x16-镀锌	SCREW M6x16 ZINC
30	E040144	1	驱动电机 24V300W 恒业	DRIVE MOTOR 24V300 HENGYE



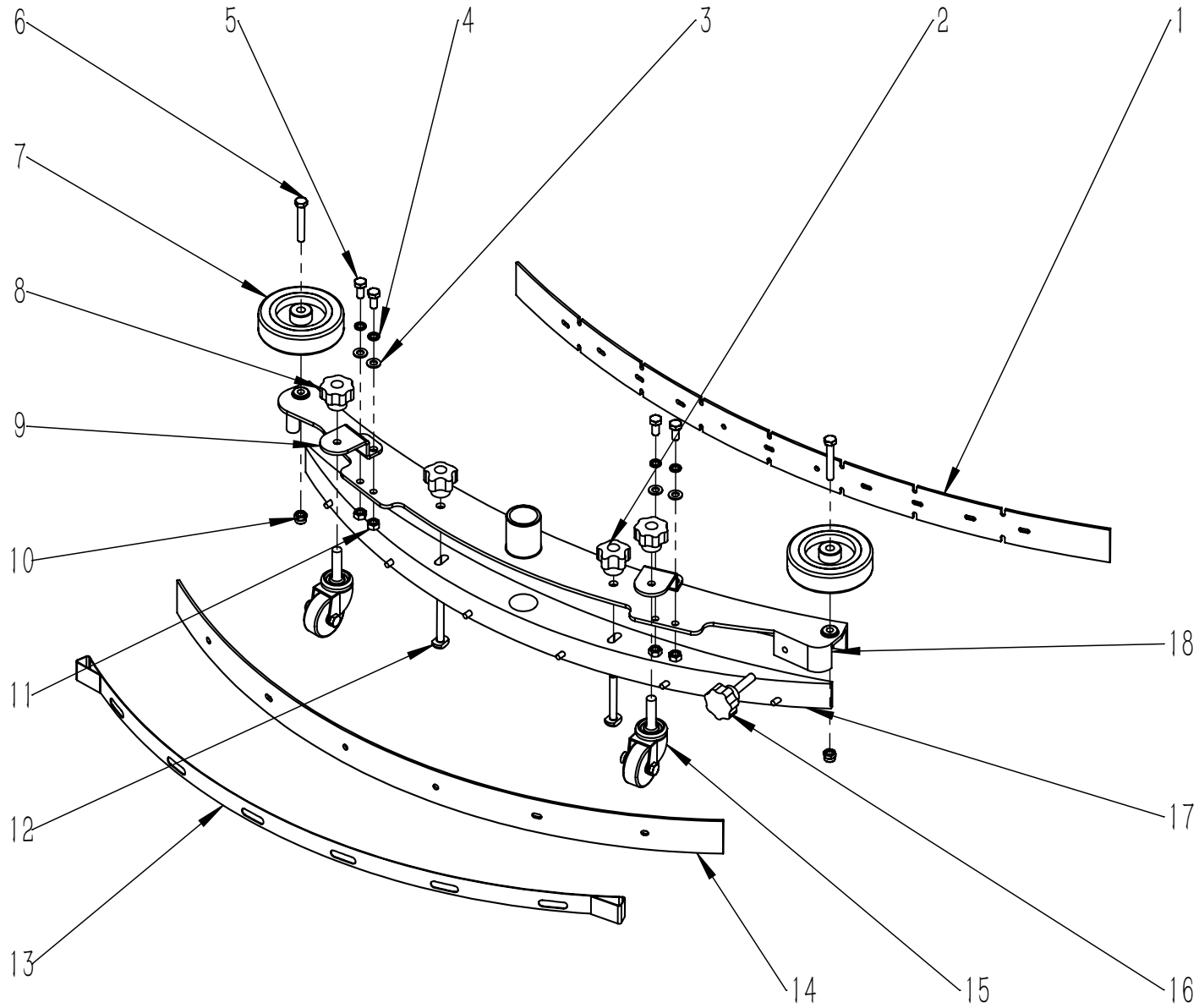
项目号 ITEM	零件号 P/N	数量 QTY	名称	DESCRIPTION
31	B050067	2	后驱安装座 T90	REAR DRIVE MOUNT T90
32	B050066	2	隔套 T90 一体轴	SPACER T90 INTEGRATED SHAFT
33	N110016	2	花键驱动轮 225x65	DRIVING WHEEL 225x65
34	B060069	2	平垫-8.5x30x4-镀锌	WASHER 8.5x30x4 ZINC
35	C020003	2	脚轮盖 D42	COVER Φ 42



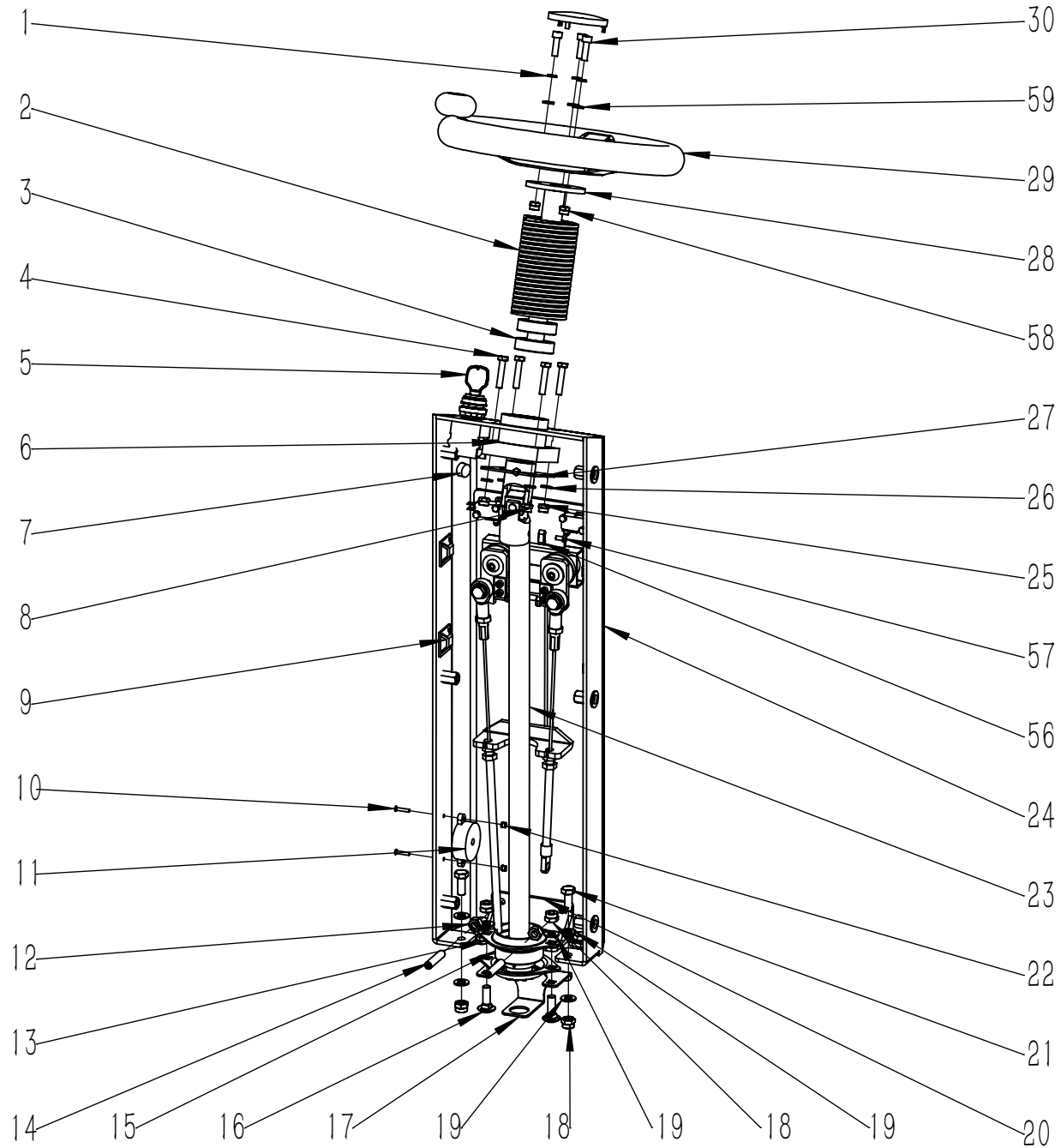
项目号 ITEM	零件号 P/N	数量 QTY	名称	DESCRIPTION
36	A020057	4	拉臂 L=90mm	PULL ARM L=90MM
37	N010008	4	外六角-M8x35-镀锌	SCREW M8x35 ZINC
38	N030072	8	M8 锥面垫圈-GB850-镀锌	M8 TAPERED WASHER GB850 ZINC
39	N070023	8	鱼眼轴承 SA8T	FISHEYE JOINT BEARING SA8T
40	N010259	1	轴肩螺栓-D10x35xM8-达克罗	SCREW D10x35xM8 DACROMET
41	N010106	1	外六角-M6x25-不锈钢	SCREW M6x25 A2
42	N010063	2	内六角圆柱头-M10x30-镀锌	SCREW M10x30 ZINC
43	A050070	1	扒头连接支架 T90	STEAK HEAD CONNECTION BRACKET T90
44	N030055	2	平垫-14X28X2.5-镀锌	WASHER 14X28X2.5 ZINC
45	B020037	2	铜套 D10xD14X13.5	BUSHING D10xD14X13.5
46	N020002	2	自锁螺母-M10-镀锌	LOCK NUT M10 ZINC
47	N010025	1	外六角-M5x16-镀锌	SCREW M5x16 ZINC
48	N030031	1	平垫-5x10x1-镀锌	WASHER 5x10x1 ZINC
49	N100040	1	防静电链条 150mm	ANTI-STATIC CHAIN L=150MM
50	N030006	4	平垫-8x16x1.6-镀锌	WASHER 8x16x1.6 ZINC
51	N100051	1	链条 06B-1-24	CHAIN 06B-1-24 T90
52	N100021	2	链条连接扣	JOINT CHAIN



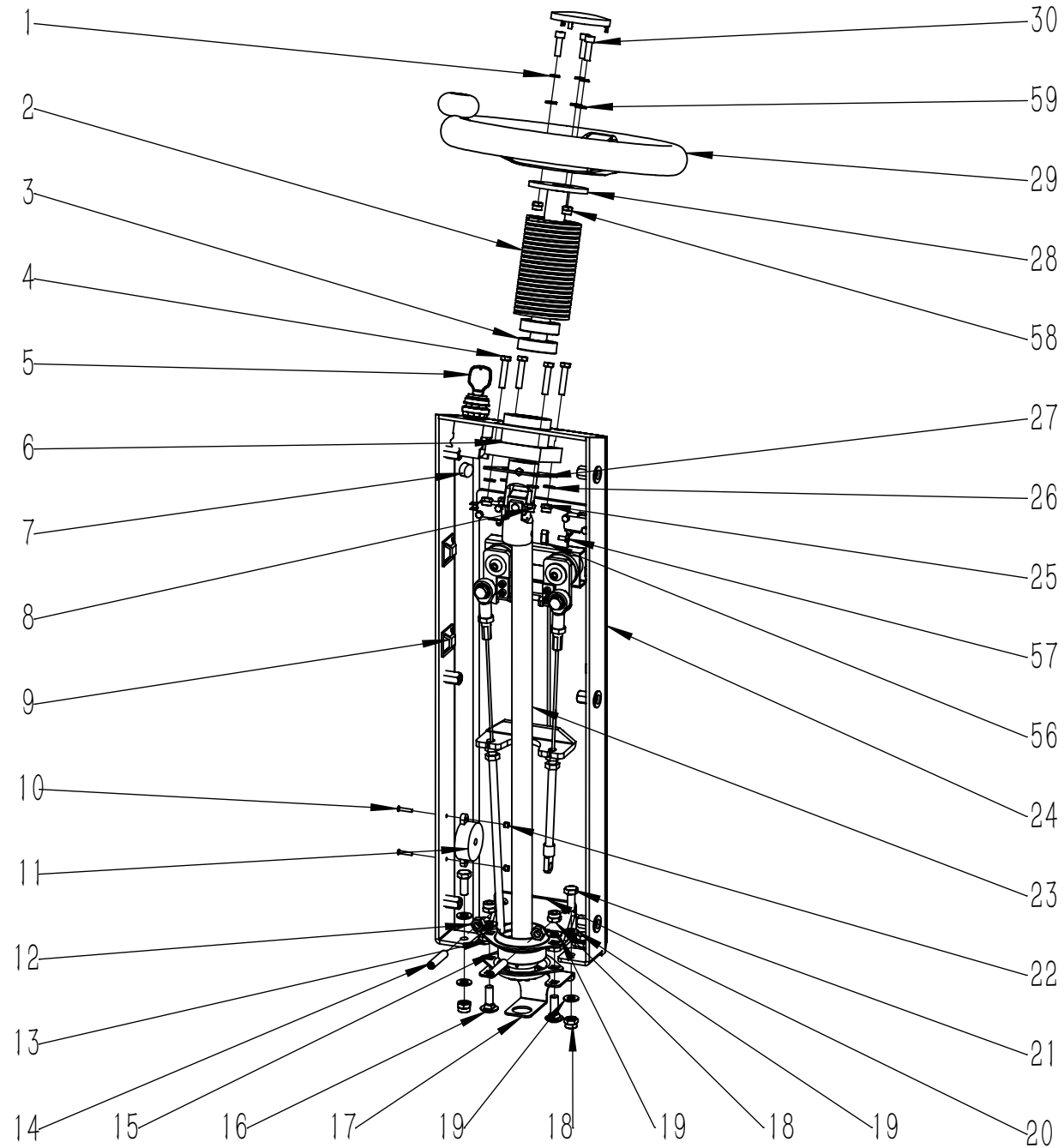
项目号 ITEM	零件号 P/N	数量 QTY	名称	DESCRIPTION
1	N030028	1	平垫-8x24x2-不锈钢	WASHER 8x24x2 A2
2	N020003	1	自锁螺母-M12x1.75-镀锌	LOCK NUT M12x1.75 ZINC
3	N030011	1	平垫-12x24x2.5-镀锌	WASHER 12x24x2.5 ZINC
4	N100003	1	调节手柄 M8x60	ADJUSTER M8x60
5	N060015	1	气弹簧扁头 M6	COUPLNG M6
6	B070032	2	拉簧 D2.8xD20x86	TENSION SPRING D2.8xD20x86
7	A050071	1	扒头上支架 T90 一体轴	BRACKET ON THE HEAD T90 INTEGRATED SHAFT
8	N010248	1	轴肩螺栓-D16x70xM12-达克罗	SHOULDER BOLT D16x70xM12 DACROMET
9	N010247	2	轴肩螺栓-D8x12xM6-达克罗	SHOULDER BOLT D8x12xM6 DACROMET
10	B050058	2	四氟垫片 D8.2xD20x2.5	WASHER Φ 8.2x Φ 20x2.5
11	N020006	2	自锁螺母-M6-不锈钢	LOCK NUT M6 A2
12	N030007	1	平垫-6x12x1.6-镀锌	WASHER 6x12x1.6 ZINC
13	N040001	1	弹垫-M6-镀锌	LOCK WASHER M6 ZINC
14	N010005	1	外六角-M6x16-镀锌	SCREW M6x16 ZINC
15	N030022	2	平垫-6x18x1.6-不锈钢	WASHER 6x18x1.6 A2
16	A050072	1	扒头下支架 T90 一体轴	BRACKET UNDER BRACKET T90 INTEGRATED SHAFT
17	B070027	1	压簧 D3.5xD30x48 (7圈)	SPRING Φ 3.5x Φ 30x48



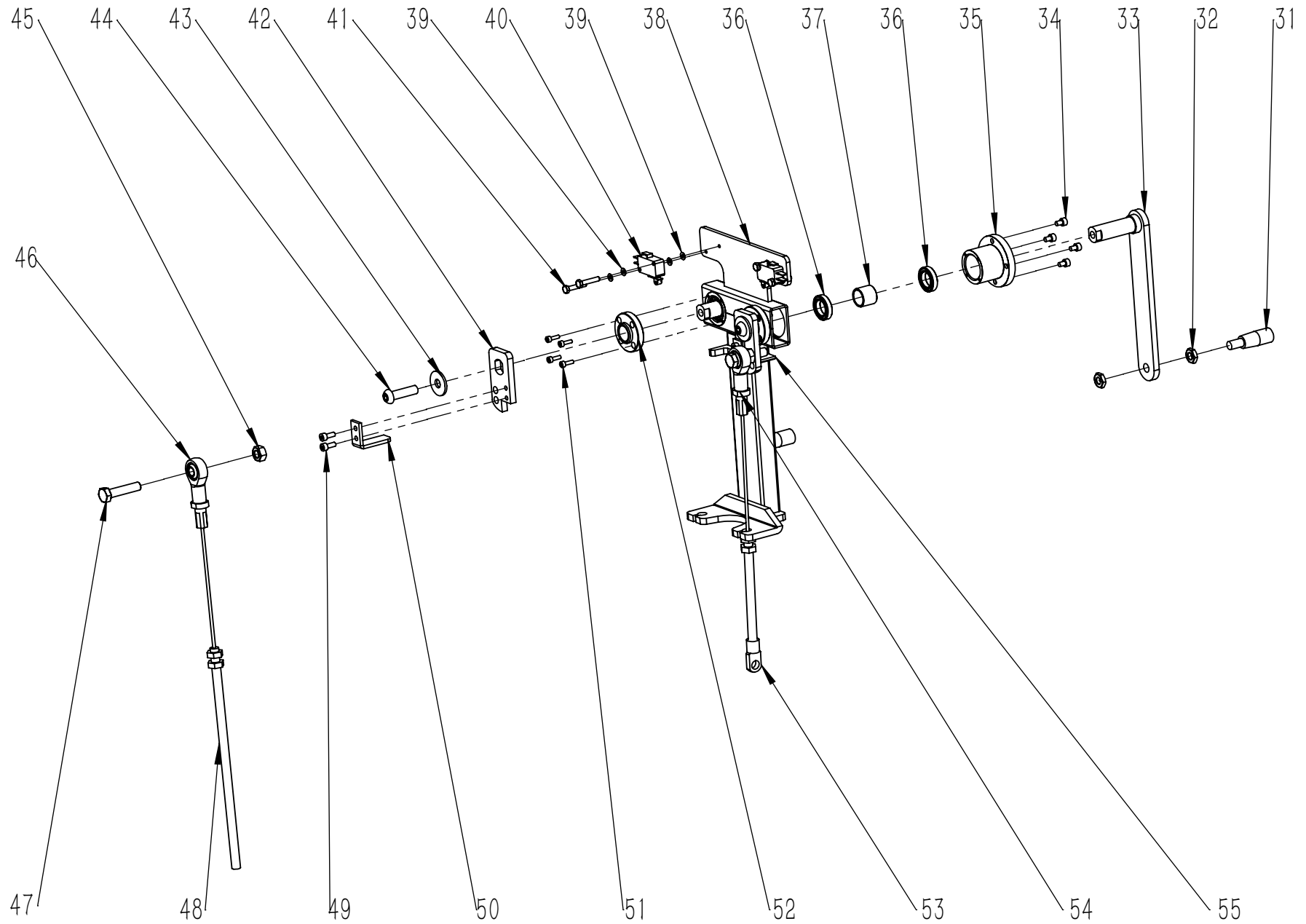
项目号 ITEM	零件号 P/N	数量 QTY	名称	DESCRIPTION
1	C030062	1	前刮条 860	FRONT SQUEEGE BLADE RUBBER 860
2	N010241	2	胶木手柄 M8X31 860	HANDWHEEL M8X31 860
3	N030010	4	平垫-8x16x1.6-不锈钢	WASHER 8x16x1.6 A2
4	N040017	4	弹垫-M8-不锈钢	LOCK WASHER M8
5	N010143	4	外六角-M8x16-不锈钢	SCREW M8x16 A2
6	N010144	2	外六角-M8x50-不锈钢	SCREW M8x50 A2
7	N110049	2	防撞轮 D100X27 860	WHEEL D100X27 860
8	N010242	2	胶木手柄 M10X30 860	HANDWHEEL M10X30 860
9	A020050	2	万向轮支架 860	SUPPORT 860
10	N020024	2	自锁螺母-M8-不锈钢	LOCK NUT M8 A2
11	N020010	4	螺母-M8-不锈钢	NUT M8 A2
12	N010243	2	T型槽用螺栓 M8X60 860	T-slot SCREW M8X60 860
13	A010189	1	扒头后固定钢板 860	PLATES 860
14	C030063	1	后刮条 860	BEAR SQUEEGE BLADE RUBBER 860
15	N110050	2	万向轮 D50 860	UNIVERSAL WHEEL D50 860
16	N010244	1	调节螺杆 M8x40 860	SCREW M8x40 860
17	B050065	1	半月板 860	PLATE 860
18	D010029	1	扒头主体 860	SQUEEGEE BODY 860



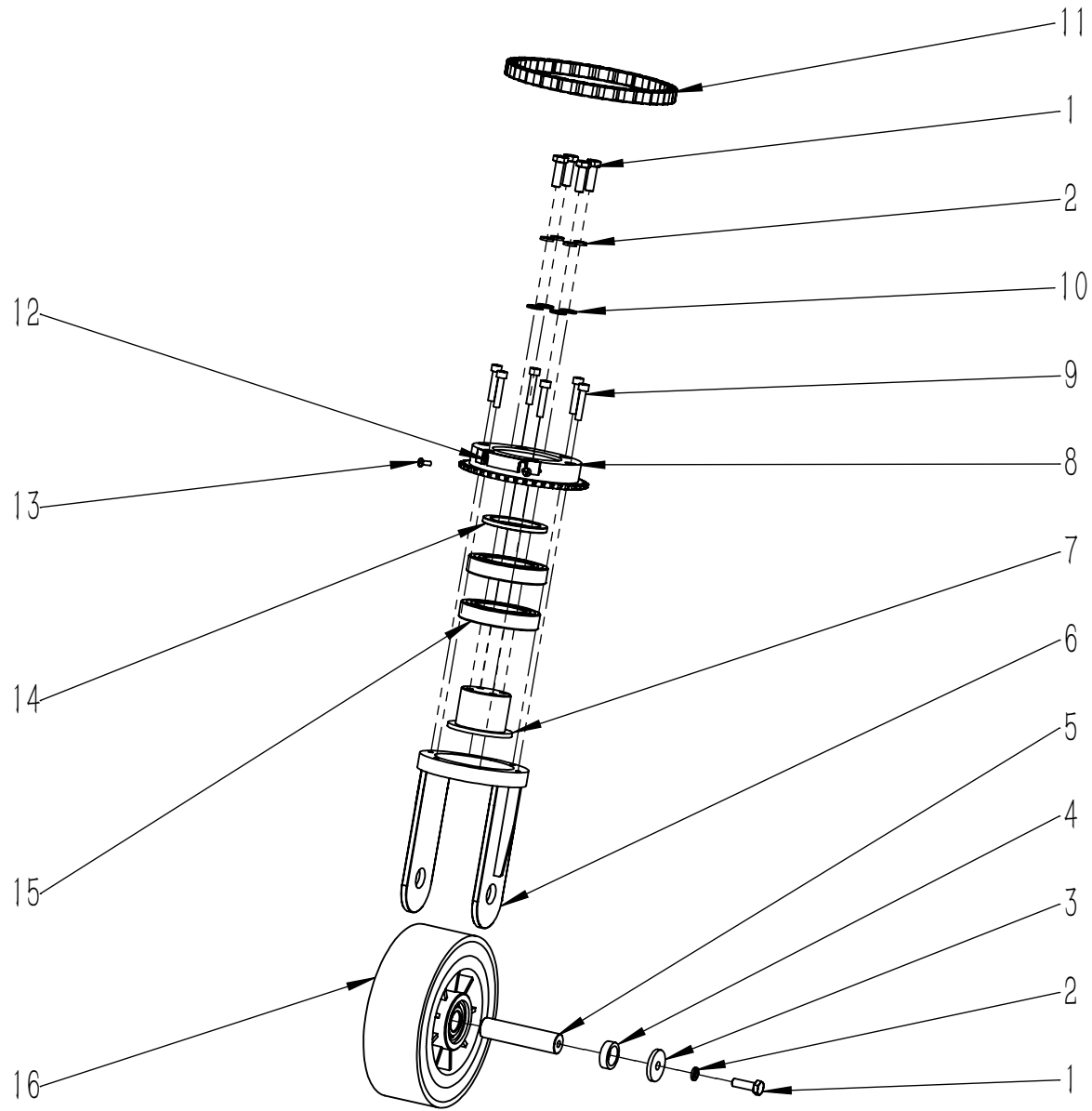
项目号 ITEM	零件号 P/N	数量 QTY	名称	DESCRIPTION
1	N040011	3	弹垫 6 不锈钢	LOCK WASHER M6 A2
2	N090028	1	波纹管轴套 Φ50x105	SPACER φ 50x100
3	N070001	2	轴承 6004	BEARING 6004
4	N010033	4	外六角 M6x30 镀锌	SCREW M6x30 ZINC
5	W020013	1	钥匙开关组件 双开	KEY SWITCH ASSEMBLY
6	D010010	1	轴承座 Φ70	BEARING SUPPORT Φ 70
7	E020033	1	喇叭按钮	HORN BUTTON
8	N060014	1	万向节 18x32x85	UNIVERSAL JOINT 18x32x85
9	HC10029	4	扎线固定座-30x30-自粘	CABLE TIE HOLDER30x30(AUTOMATIC BONDING)
10	N010170	2	沉头十字螺钉 M3×16 不锈钢	SCREW M3x16 A2
11	E050084	1	蜂鸣器 24V	BUZZER 24V
12	N020010	2	螺母 M8 不锈钢	NUT M8 A2
13	N070004	2	SB 205 轴承座	BEARING SUPPORT SBPFL 205
14	N010140	2	内六角平端紧定螺钉 M8x40 不锈钢	SCREW M8x40 A2
15	N070005	1	SB 205 轴承	BEARING SBPFL 205
16	N010014	2	大圆头方颈螺栓 M8x25 镀锌	SCREW M8x25 ZINC
17	A020019	1	轴承座固定支座 40x76	SUPPORT 40x76
18	N020001	6	自锁螺母 M8 镀锌	LOCK NUT M8 ZINC
19	N030006	10	平垫 8x16x1.6 镀锌	WASHER 8x16x1.6 ZINC
20	A020020	1	轴承座固定支座 76	SUPPORT 76
21	N010034	4	外六角 M8x20 镀锌	SCREW M8x20 ZINC
22	N020045	2	自锁螺母 M3 不锈钢	LOCK NUT M3 A2
23	B060089	1	转向小齿轮 547	SHAFT 547
24	A020059	1	转向器支架 180 90 双刷	SUPPORT180 T90 DOUBLE BRUSH
25	N020012	4	自锁螺母 M6 镀锌	LOCK NUT M6 ZINC
26	N030007	4	平垫 6x12x1.6 镀锌	WASHER 6x12x1.6 ZINC
27	A020021	1	钥匙固定板 64x116	PLAQUE 64x64
28	A020022	1	方向盘固定轴 Φ20	SHAFT Φ 20
29	N110035	1	方向盘 (带助力球) T90	STEERING WHEEL BOOSTER BALL T90
30	N010057	3	内六角圆柱头 M6x20 不锈钢	SCREW M6x20 A2



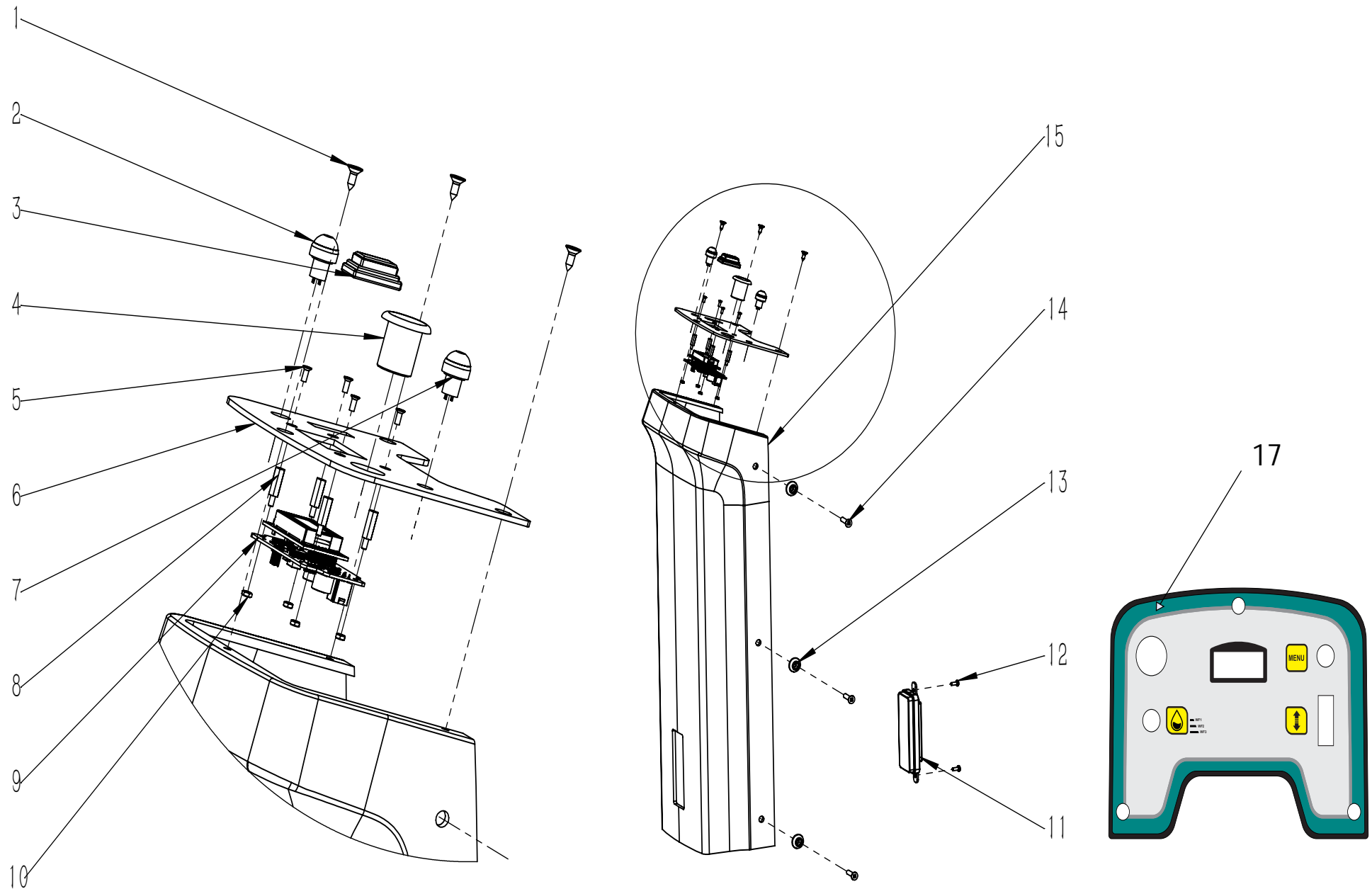
项目号 ITEM	零件号 P/N	数量 QTY	名称	DESCRIPTION
56	N060016	2	平键 6x6x16	FLAT KEY 6x6x16
57	N010184	2	外六角-M6x8-发黑	SCREW M6x8 (BLACKENING)
58	N020006	3	自锁螺母 M6 不锈钢	LOCK NUT M6 A2
59	N030024	3	平垫 6x12x1.6 不锈钢	WASHER 6x12x1.6 A2



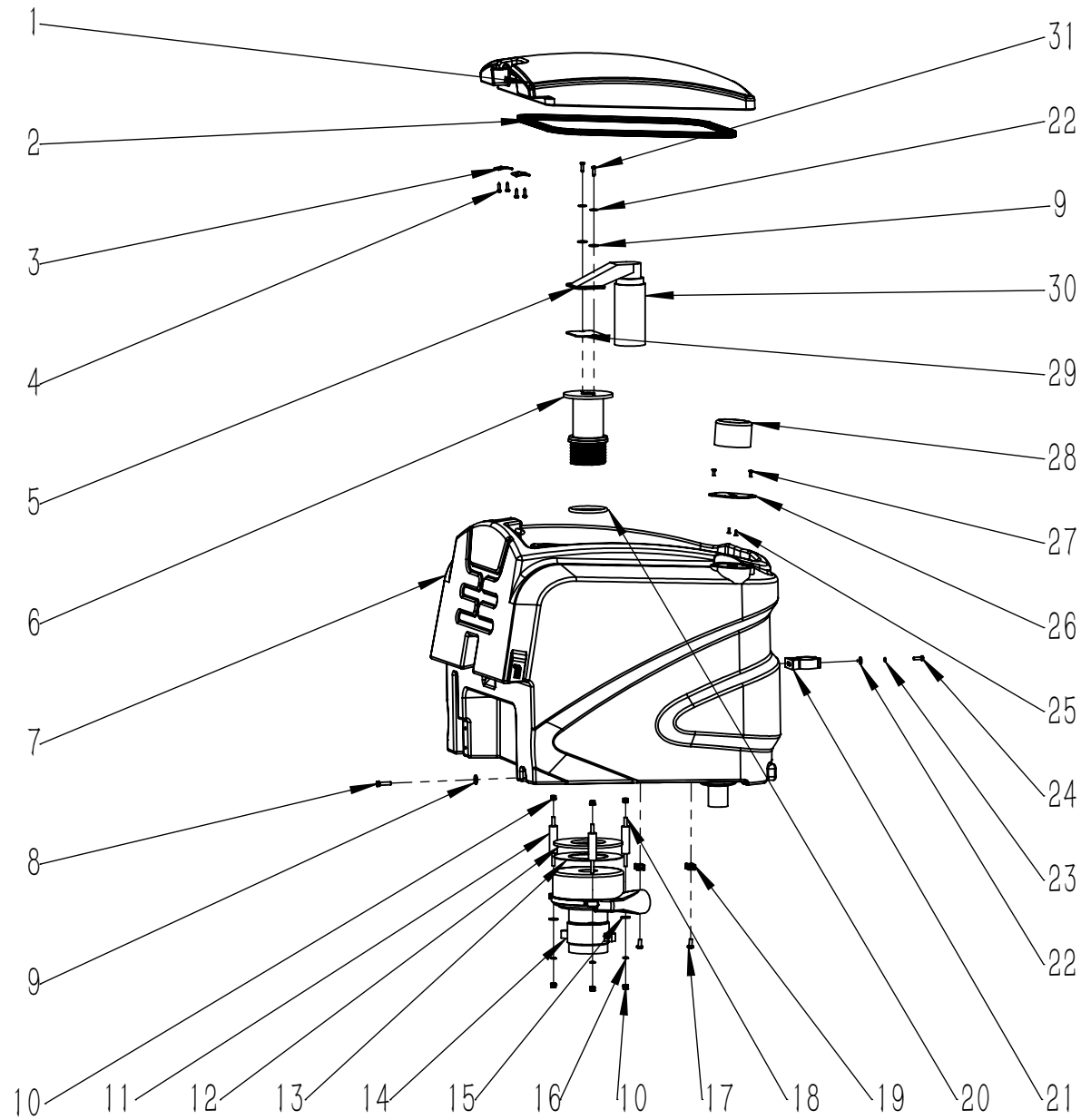
项目号 ITEM	零件号 P/N	数量 QTY	名称	DESCRIPTION
31	N100030	2	胶木手柄 M8	HANDWHEEL M8
32	N020048	4	薄螺母-M8-镀锌	NUT M8 A2
33	A020033	2	摇臂 T90	ROCKER ARM T90
34	N010187	8	内六角圆柱头 M4X6 不锈钢	SCREW M4x6 A2
35	B060143	2	轴承座	BEARING BLOCK
36	N070021	4	轴承 61802	BEARING 61802 (24x15x5)
37	B010053	2	轴套 17.5X15.1X15	AXLE SLEEVE 17.5x15.1x15
38	A020015	1	手动提升杆支架 276.5x136	SUPPORT
39	N030021	8	平垫 3X7X0.5 尼龙	WASHER 3x7x0.5 NYLON
40	E020030	2	防水微动开关 250-16A 常闭	MICROSWITCH 250V 16A NORMALLY SWITCH OFF
41	N010027	4	外六角 M3x20 不锈钢	SCREW M3x20 A2
42	A020017	2	限位摇臂 61x30-11	LEVER 61x30
43	N030028	2	平垫 8x24x2 不锈钢	WASHER 8x24x2 A2
44	N010059	2	内六角平圆头螺钉 M8×20	SCREW M8x20 A2
45	N020018	2	螺母 M8 镀锌	NUT M8 ZINC
46	N070016	2	鱼眼轴承	FISHEYE JOINT BEARING
47	N010002	2	外六角 M8x30 镀锌	SCREW M8x30 ZINC
48	B060167	1	拉线 725	CABLE 725
49	N010199	4	内六角圆柱头 M4X10 不锈钢	SCREW M4x10 A2
50	A050073	1	L型定位片左 T150	L-SHAPED POSITIONING PIECE LEFT T150
51	N010186	8	内六角圆柱头 M3X10 不锈钢	SCREW M3x16 A2
52	B060144	2	轴承座压板	BEARING PLATE
53	N060015	1	气弹簧扁头 M6	COUPLNG M6
54	B060079A	1	拉线 T90 一体轴	CABLE T90
55	A050076	1	L型定位片右 T150	L-SHAPED POSITIONING PIECE RIGHT T150



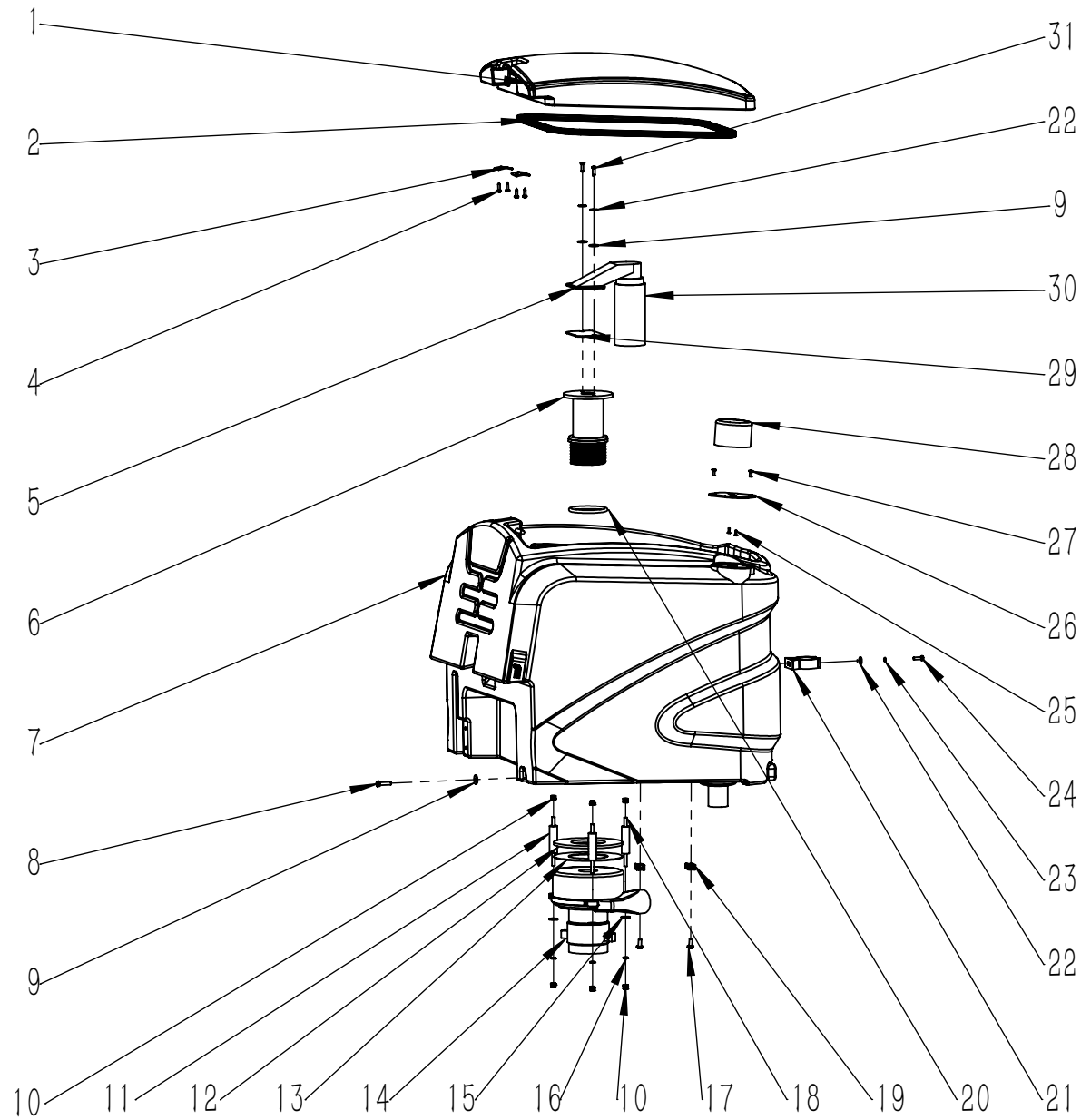
项目号 ITEM	零件号 P/N	数量 QTY	名称	DESCRIPTION
1	N010094	6	外六角-M8x25-不锈钢	SCREW M8x25 A2
2	N040017	6	弹垫-M8-不锈钢	LOCK WASHER M8
3	B060069	2	平垫-8.5x30x4-镀锌	WASHER 8.5x30x4 ZINC
4	B060087	2	轴套 20x27x8	SPACER 20x27x8
5	B060071	1	从动轮轮轴 20x83.5	SHAFT 20x83.5
6	A030055	1	从动轮固定座-73.5-T90-加高 20mm	SUPPORT 73.5 T90 RISE 20mm
7	B060085	1	轴承定位轴 D50	SHAFT ϕ 50
8	B060086	1	传动链齿轮 D130	TRANSMISSION CHAIN GEAR ϕ 130
9	N010139	6	内六角圆柱头-M6x30-镀锌	SCREW M6x30 ZINC
10	N030010	4	平垫-8x16x1.6-不锈钢	WASHER 8x16x1.6 A2
11	N100019	1	链条 06B-25/49	CHAIN 06B-25/49
12	B050018	1	链轮开关 D110x13	CAM ϕ 110x13
13	N010070	2	圆头十字-M4x10-不锈钢	SCREW M4x10 A2
14	B060068	1	垫圈 50x65x5	WASHER 50x65x5
15	N070006	2	轴承 6010	BEARING 6010
16	N110015	1	轮子 D175x60	WHEEL ϕ 175x60



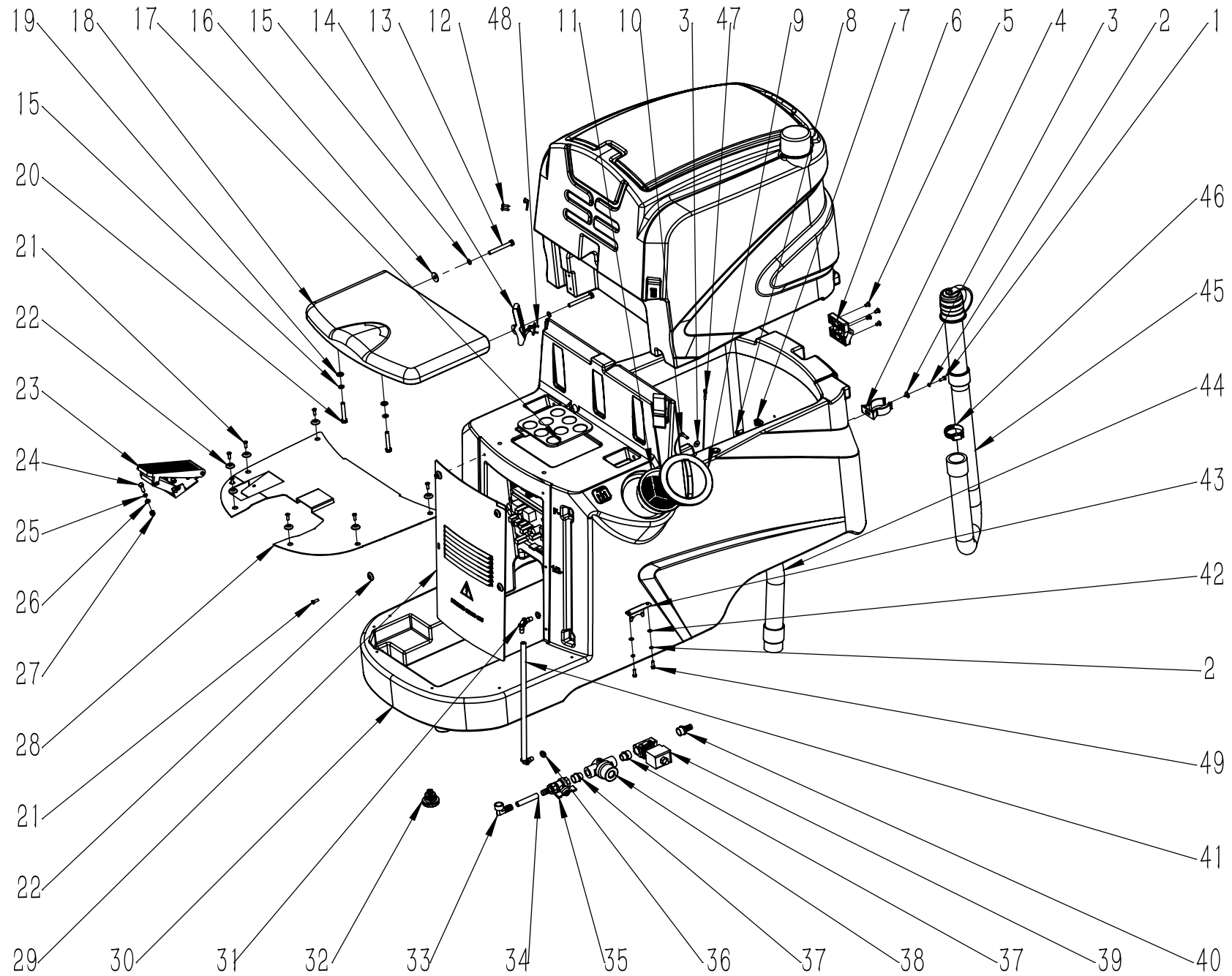
项目号 ITEM	零件号 P/N	数量 QTY	名称	DESCRIPTION
1	N010097	3	沉头十字自攻螺丝 ST4.2x13 不锈钢	SELF TAPPING SCREW M4.2x13 A2
2	E020001	1	选择按钮	BUTTON
3	E020027	1	前进后退开关	FORWARD/BACKWARD SWITCH
4	E020028	1	急停开关 220V 10A	EMERGENCY STOP SWITCH 220V 10A
5	N010103	4	沉头十字螺钉 M3x8 不锈钢	SCREW M3x8 A2
6	A020058	1	集成控制面板 90 双刷	INTEGRATED CONTROL PANEL T90 DOUBLE BRUSH
7	E020020	1	选择按钮 黄色	BUTTON (YELLOW)
8	B020040	4	尼龙螺柱 M3X15+6	NYLON STUD M3x15+6
9	E040128	1	二合一面板 KDS	TWO-SIDED PANEL KDS
10	B060165	4	尼龙螺母 M3	NYLON NUT M3
11	E050112	1	前罩灯-24V-115x44x22	HEADLIGHT 24V (115x44x22)
12	N010070	2	盘头十字螺钉 M4X10 不锈钢	SCREW M4x10 A2
13	C020028	6	异形垫片 D5	WASHER Φ5
14	N010233	6	沉头十字螺钉 M6x25 镀黑锌	SCREW M6x25 BLACK ZINC PLATING
15	C010021	1	转向器外罩	COVER T90
16	W020133	1	线束 T90 双刷	WIRE HARNESS T90 DOUBLE BRUSH
17	C040316	1	控制面板标签 T90 带控水开关	CONTROL PANEL LABEL TS1300 T90 WITH WATER CONTROL SWITCH



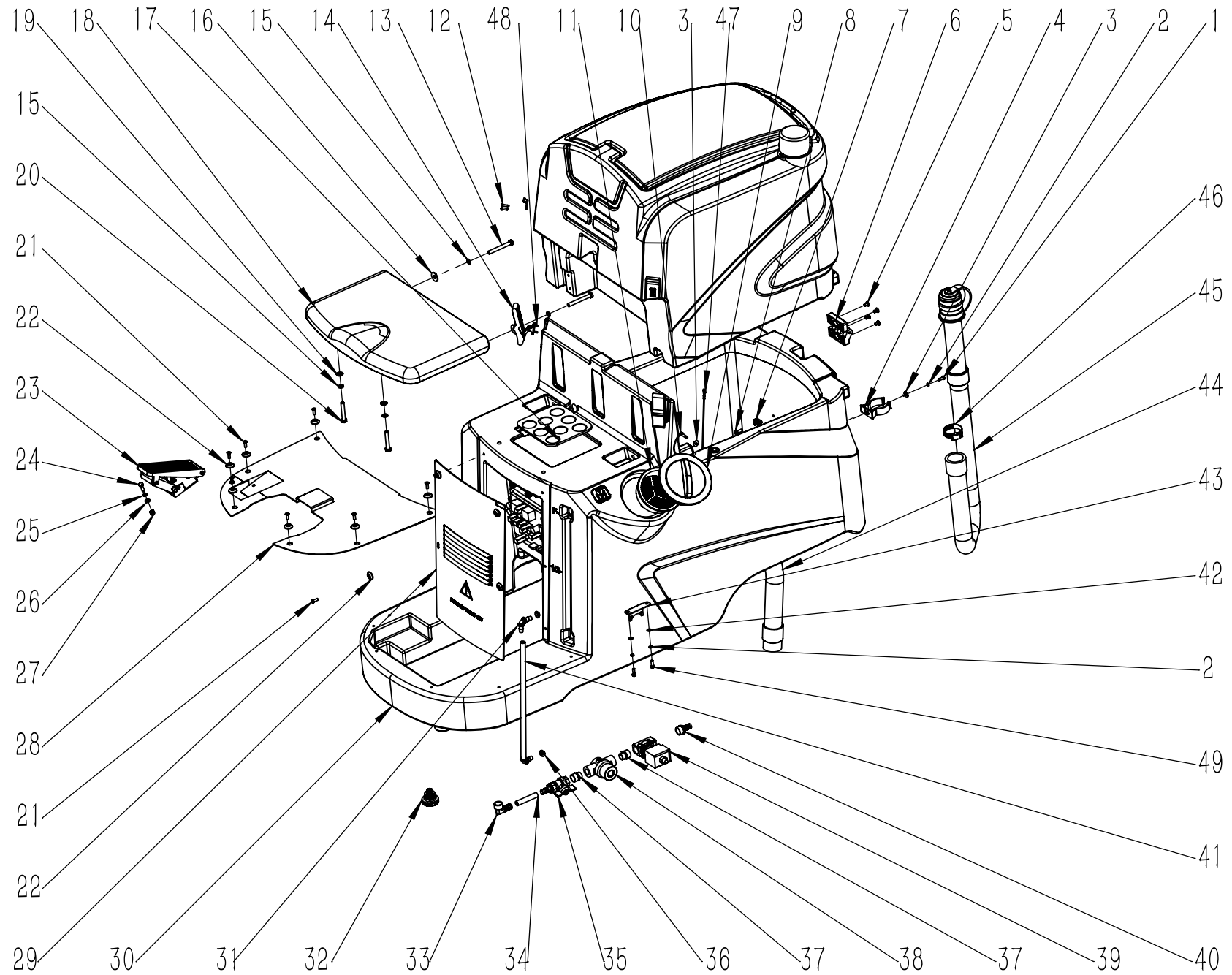
项目号 ITEM	零件号 P/N	数量 QTY	名称	DESCRIPTION
1	C010003	1	污水箱盖板	RECOVERY TANK COVER
2	N090010	1	污水箱上盖密封条 L=1280	RUBBER SEAL STRIP L=1280
3	A010001	2	箱盖固定板 34x30	PLAQUE 34x30
4	N010098	4	圆头十字自攻螺丝-M4.2X9.5-不锈钢	SELF TAPPING SCREW M4.2x9.5 A2
5	C020049	1	吸水口主体 T35	SUCTION BODY T35
6	C020283	1	浮球安装座	FLOAT MOUNT
7	C010020	1	污水箱 T90	RECOVERY TANK T90
8	N010106	1	外六角-M6x25-不锈钢	SCREW M6x25 A2
9	N030022	3	平垫-6x18x1.6-不锈钢	WASHER 6x18x1.6 A2
10	N020012	6	自锁螺母-M6-镀锌	LOCK NUT M6 ZINC
11	B050029	3	支撑套管 55	SLEEVE 55
12	F040001	1	吸水电机消音垫 D140x5	SPONGE Φ140x5
13	F040005	1	背胶-D(140-70)-3M	3M ADHESIVES GUM φ (140-70)
14	E040001	1	吸水电机-24V-390W-130805-13	VACUUM MOTOR 24V 390W 130805-13
15	N030008	3	平垫-6x18x1.6-镀锌	WASHER 6x18x1.6 ZINC
16	N040001	3	弹垫-M6-镀锌	LOCK WASHER M6 ZINC
17	N010112	2	十字盘头-M5x16-不锈钢	SCREW M5x16 A2
18	N100008	3	螺杆 M6x100	SCREW M6x100mm
19	N090002	2	扎带固定座 23x16	SUPPORT 23x16
20	N090042	1	O 型密封圈 内径 D67x 线径 D6	O RING Φ67xΦ6
21	C020265	1	加强管托 D43	REINFORCED TUBE SUPPORT D43
22	N030040	3	平垫-5x15x1.2-不锈钢	WASHER 5x15x1.2
23	N040023	1	弹垫-M5-不锈钢	LOCK WASHER M5
24	N010029	1	外六角-M5x16-不锈钢	SCREW M5x16 A2
25	N010150	2	沉头十字螺栓-M3x10-不锈钢	SCREW M3x10 A2
26	A030085	1	灯罩连接板 T90	LAMPSHADE CONNECTING BOARD T90
27	N010299	2	沉头十字-M4x12-不锈钢发黑	SCREW M4x12 A2 BLACK
28	E050113	1	警示灯-D73-T90	WARNING LAMP φ73 (T90)
29	C030040	1	吸水口密封垫 T35	SUCTION GASKET T35



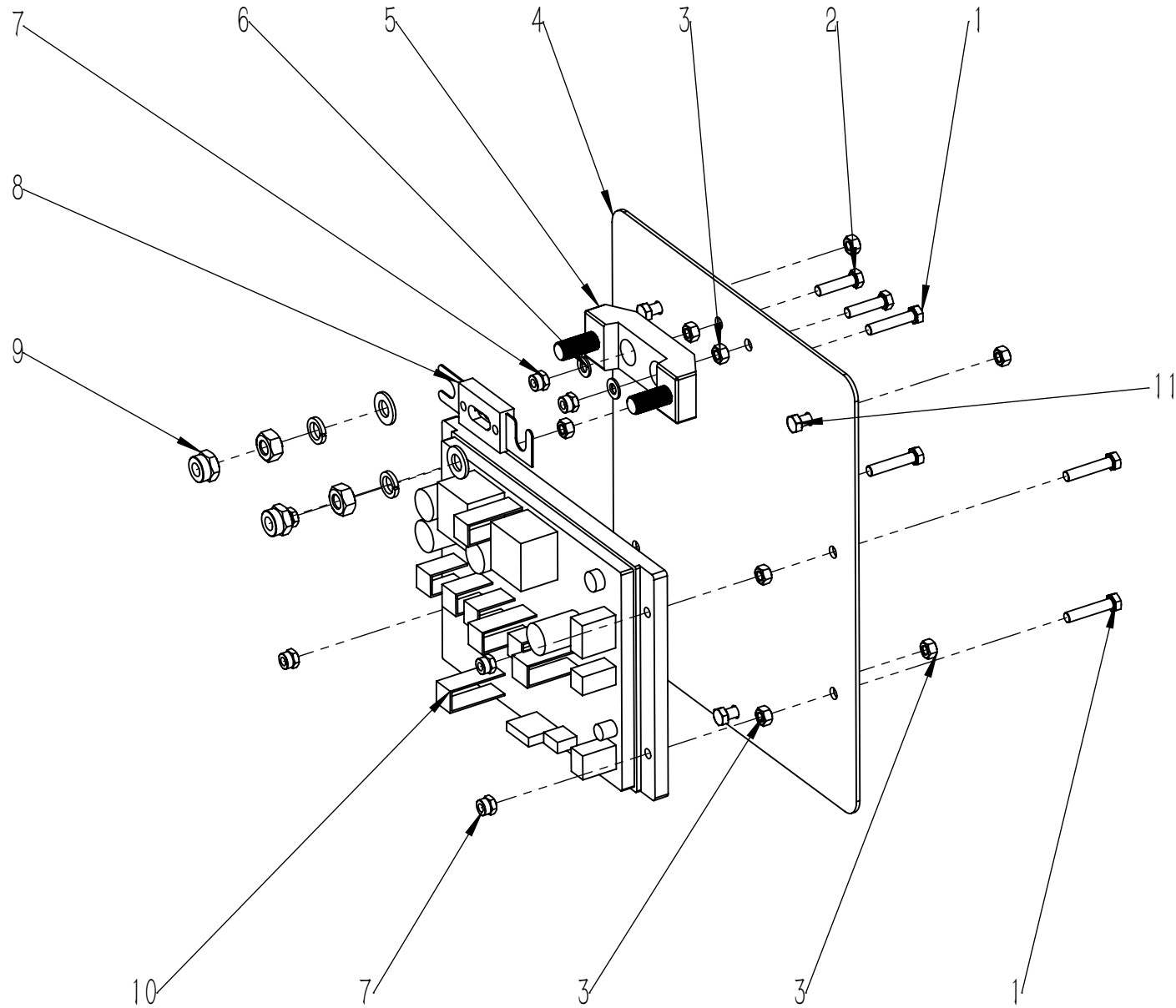
项目号 ITEM	零件号 P/N	数量 QTY	名称	DESCRIPTION
30	F040010	1	吸水口浮球 T35	SUCTION FLOATER T35
31	N010251	2	十字盘头自攻螺钉-ST4.8x16-不锈钢	SCREW ST4.8x16 A2



项目号 ITEM	零件号 P/N	数量 QTY	名称	DESCRIPTION
1	N010208	1	外六角-M5x12-不锈钢	SCREW M5x12 A2
2	N040023	3	弹垫-M5-不锈钢	LOCK WASHER M5
3	N030040	2	平垫-5x15x1.2-不锈钢	WASHER 5x15x1.2
4	C020265	1	加强管托 D43	REINFORCED TUBE SUPPORT D43
5	N010220	8	沉头内六角-M6x20-不锈钢黑色	SCREW M6x20 A2 BLACK
6	C020011	4	合页 40x14	HINGE 40x14
7	N090002	10	扎带固定座 23x16	SUPPORT 23x1
8	N010112	10	十字盘头-M5x16-不锈钢	SCREW M5x16 A2
9	C020005	1	清水箱注水口盖子 D115	THREADED COVER Φ115
10	N010135	1	外六角-M5x20-不锈钢	SCREW M5x20 A2
11	C020006	1	清水箱注水口滤网 D110	FILTER Φ110
12	N010098	4	圆头十字自攻螺丝-M4.2X9.5-不锈钢	SELF TAPPING SCREW M4.2x9.5 A2
13	N010136	2	外六角-M8x65-镀锌	SCREW M8x65 ZINC
14	N090004	2	橡胶搭扣 50	RUBBER HASP 50
15	N040013	4	弹垫-M8-镀锌	LOCK WASHER M8 ZINC
16	N030027	2	平垫-8x24x2-镀锌	WASHER 8x24x2 ZINC
17	E020007	1	压力开关-150x135x5-常开	PRESSURE SWITCH 150x135x5 N.O.
18	C010022	1	坐垫 T90	SEAT T90
19	N030006	2	平垫-8x16x1.6-镀锌	WASHER 8x16x1.6 ZINC
20	N010010	2	外六角-M8x50-镀锌	SCREW M8x50 ZINC
21	N010230	11	沉头十字-M5x16-镀黑锌	SCREW M5x16 BLACK ZINC PLATING
22	C020028	11	异形垫片 D5	WASHER Φ5
23	E020014	1	电子脚踏板 JK5	PEDAL JK5
24	N010013	2	外六角-M6x20-不锈钢	SCREW M6x20 A2
25	N040011	2	弹垫-M6-不锈钢	LOCK WASHER M6 A2
26	N030024	2	平垫-6x12x1.6-不锈钢	WASHER 6x12x1.6 A2
27	N020006	2	自锁螺母-M6-不锈钢	LOCK NUT M6 A2
28	A050048	1	脚踏垫 T90	BOTTOM PLATE T90
29	C020034	1	电器挡板 T90	COVER T90
30	C010114	1	清水箱 T90 双刷一体轴	SOLUTION TANK T90 DOUBLE BRUSH



项目号 ITEM	零件号 P/N	数量 QTY	名称	DESCRIPTION
31	F020001	2	快速接头 D(8-6)x30	CONNECTOR Φ (8-6)x30
32	W020001	1	堵头组件 3/4 英寸	PLUG ASSEMBLY 3/4"
33	F020022	1	快速弯头-1/2-D=10-d=8	CONNECTOR 1/2 D=10 d=8
34	F050088	1	水管 D=12 d=8 L=60	SILICONE HOSE D=12 d=8 L=60
35	F010006	1	蝶形球阀-1/2-直接头 D=10	BALL VALVE 1/2 CONNECTION STRAIGHT D=10
36	C030013	2	密封垫 D8	GASKET Φ 8
37	F020019	2	外丝接头-1/2-3/8-不锈钢	CONNECTOR 1/2-3/8 A2
38	F010004	1	过滤器 3/8	FILTER 3/8
39	W020005	1	电磁阀组件-T55-70BT	SOLENOID VALVE ASSEMBLY T55/70BT
40	F020002	1	快速接头 1/2	CONNECTOR 1/2
41	F050042	1	液位显示管 L=338mm	WATER LEVEL TUBE T130
42	N030016	2	平垫-5x10x1-不锈钢	WASHER 5x10x1
43	A060034	1	电磁阀支架 T90	SOLENOID VALVE SUPPORT T90
44	F060017	1	吸污管 D38x1000	SUCTION HOSE Φ 38x1000
45	F060027	1	排污管 D38X1440 T90 双刷	DRAINAGE PIPE T90
46	F050006	1	卡箍 D33-57	SCREW CLAMP Φ 33-57
47	B060097	1	水箱拉线 L=510	CABLE L=510
48	N010137	4	圆头十字-M3x10-不锈钢	SCREW M3x10 A2
49	N010029	2	外六角-M5x16-不锈钢	SCREW M5x16 A2



项目号 ITEM	零件号 P/N	数量 QTY	名称	DESCRIPTION
1	N010165	4	外六角-M5x25-不锈钢	SCREW M5x25 A2
2	N010135	2	外六角-M5x20-不锈钢	SCREW M5x20 A2
3	N020046	9	螺母-M5-不锈钢	NUT M5 A2
4	A030039	1	电路安装板 230x230	CIRCUIT BOARD SUPPORT 230x30
5	E050004	1	保险座 80A	FUSE HOLDER 80A
6	N030016	2	平垫-5x10x1-不锈钢	WASHER 5x10x1
7	N020037	6	自锁螺母-M5-不锈钢	LOCK NUT M5 A2
8	E050005	1	保险 80A	FUSE 80A
9	N020001	2	自锁螺母-M8-镀锌	LOCK NUT M8 ZINC
10	E040126	1	控制器 5V-集成降压-KDS	CONTROLLER 5V-INTEGRATED VOLTAGE REDUCTION
11	N010029	3	外六角-M5x16-不锈钢	SCREW M5x16 A2

项目号 ITEM	零件号 P/N	数量 QTY	名称	DESCRIPTION
1	C040015	1	标识标签 T90	DECAL T90
2	C040035	1	刷盘升降标识绿	BRUSH UP AND DOWN DECAL GREEN
3	C040036	1	扒头升降标识绿	SQUEEGEE UP AND DOWN DECAL GREEN
4	M010011	1	双刷纸箱-1440x760x1200-T90	CARTON BOX 1440x760x1200
5	N090031	2	钥匙挂件	KEYCHAIN
6	P010004	1	保修卡	WARRANTY CARD
7	P010012	1	测试报告	TEST REPORT
8	C040003	1	机器左侧标签-T45-T55-T70-90	LEFT LABEL T45/T55/T70/90
9	C040004	1	机器右侧标签-T45-T55-T70-90	RIGHT LABEL T45/T55/T70/90
10	M020021	1	斜坡-600x400x20-T70-90	T70/90 RAMP 600x400x20
11	C040316	1	控制面板标贴 T90 带控水开关	CONTROL PANEL LABEL TS1300 T90 WITH WATER CONTROL SWITCH
12	C030076	2	刷盘防溅条 512x85	RUBBER SKIRT 512x85
13	M010015	1	塑料包装袋 1400x700x1000	PLASTIC PACKAGE BAG 1400x700x1000
14	M020008	4	三角挡块 50x50x100	TRIANGLE BLOCK 50x50x100
15	M020038	1	木托盘-1440x780x120-T90 双电机	WOOD PALLET 1440x780x120 T90 DOUBLE MOTOR
16	HC10015	2	尼龙编织带长 545x35mm	NYLON BRAIDED TAPE LONG 545x35
17	M010129	1	纸箱上盖-1460x820x100-T90 双电机	CARTON BOX COVER 1460x820x100 T90 DOUBLE MOTOR
18	M010014	1	说明书自封袋 340x240mm	PLASTIC PACKAGE BAG 340x240mm
19	M020007	12	支撑护角 50x50x100	ANGLE BEAD 50x50x100
20	M020028	4	木条-40x40x1180-T90 双刷	BATTEN DOUBLE BRUSH T90 40x40x1180
21	M020024	2	三角挡块 50x50x70	TRIANGLE BLOCK 50x50x70
22	HC10005	20	P 钉	P NAIL
23	HC10017	12	封箱钉 35mmx18mm	SEALING BOX NAIL 35mmx18mm
24	N010160	8	沉头十字自攻螺丝-ST4x40-镀黑锌	SELF TAPPING SCREW ST4x40 BLACK ZINC
25	M010130	1	860 扒头纸盒 880x225x135	SQUEEGEE CARTON BOX 860 880x225x135
26	N030040	4	平垫-5x15x1.2-不锈钢	WASHER 5x15x1.2
27	HC10016	2	尼龙编织带短 175x35mm	NYLON BRAIDED TAPEN SHORT 175x35



项目号 ITEM	零件号 P/N	数量 QTY	名称	DESCRIPTION
28	N010159	8	沉头十字自攻螺丝-ST4x25-镀黑锌	SELF TAPPING SCREW ST4x25 BLACK ZINC
29	C040322	1	电器挡板贴标 T90	ELECTRICAL BAFFLE LABEL T90