

Spare Parts List (Kits)

Model Ref.:- HM55/100

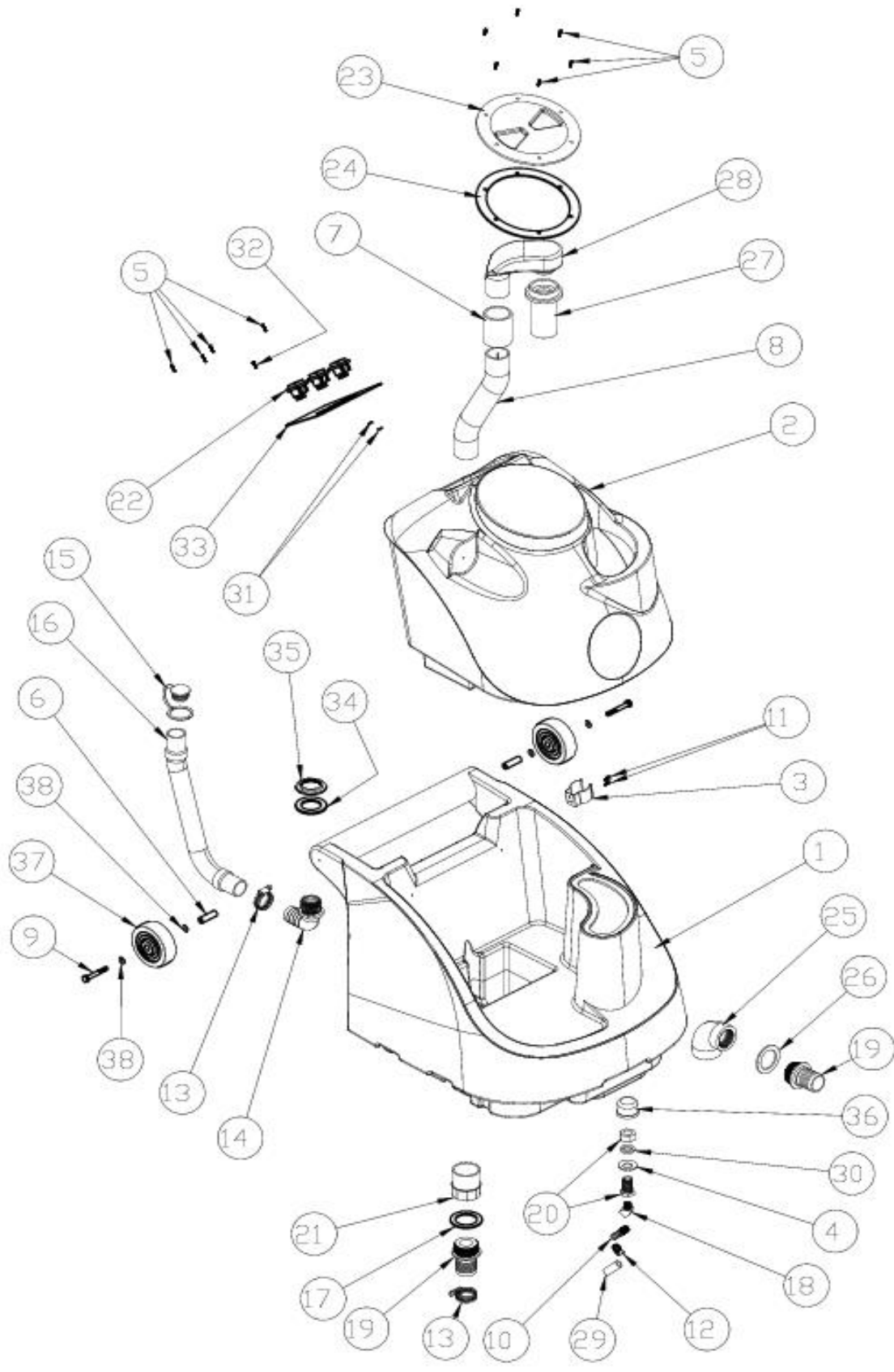
SERIES A

Spare Parts List Issue 3 Dated 8th June 2011

Reference Drawing 09-1103-0000 Issue A Dated 03-November-2008

| Drawing Ref. | Part Number | Description | Qty Per |
|--|-------------|---|---------|
| SERVICE SHEET DRAWING REFERENCE 09-1103-0000 PAGE 1 | | | |
| 1 | 33071-TEAL | Solution Tank | 1 |
| 2 | 33072 | Recovery Tank | 1 |
| 3 | 72173A | Black Vinyl Spring Clip | 1 |
| 4 | 72274A | Washer 3/4" Neoprene Bond | 1 |
| 5 | 72387A | Screw #8 x 5/8" | 10 |
| 6 | 72486A | Spacer,1.625 Long.50 OD .313 ID | 2 |
| 7 | 72615A | PVC Coupling 1-1/2" | 1 |
| 8 | 72628C | Pipe PVC Schedule 40 1-1/2 | 1 |
| 9 | 72645A | Bolt 5/16 -18 x 2- 1/4 Hex | 2 |
| 10 | 7AT004 | Barb, 1/4M x 1/2H | 1 |
| 11 | 7BH004 | Screw 10-32x3/8 SS | 1 |
| 12 | 7DL003 | 1/4" Worm Gear Clamp SS | 1 |
| 13 | 7DL005 | 1-1/2" Worm Gear Clamp SS | 1 |
| 14 | 7GR016 | Elbow, 1-1/4M x 1-1/4H Nylon | 1 |
| 15 | PAS36 | Drain Hose Plug | 1 |
| 16 | PAS37 | Drain Hose | 1 |
| 17 | PX14 | Dump Valve Gasket 1-1/2 | 1 |
| 18 | PX17 | Street Elbow 45 Degree Brass | 1 |
| 19 | PX25 | Plastic Fitting 1-1/2" NPTx1-1/2" Hose Barb | 1 |
| 20 | PX48 | Fitting Brass Bulkhead 3/4" | 1 |
| 21 | PX63 | Plastic Coupler 1-1/2" Slip x 1-1/2" FPT | 1 |
| 22 | 32966 | Rocker Switch w/ Cover DPST 20A | 4 |
| 23 | PX103 | Lid screw -in 6" clear w/ Black Ring | 1 |
| 24 | PX103G | Lid Gasket | 1 |
| 25 | PX11A | Elbow 1-1/2" Plastic | 1 |
| 26 | PX14A | Valve Gasket .125" Thick | 1 |
| 27 | PX31L | Float Cage w/ Light Ball | 1 |
| 28 | PX33 | Vaccum Tube | 1 |
| 29 | PX3H | Solution Hose 3/8" I.D. | 1 |
| 30 | PX48G | Gasket Fiber 1.125 OD X .75 | 1 |
| 31 | X8256 | Nut | 1 |
| 32 | X8278 | Screw8-32 X 1/2 | 1 |
| 33 | X9152 | Switch Panel w/o Heater | 1 |
| 34 | X9164 | Gasket 1-1/4 | 1 |
| 35 | X9165 | Lock Nut 1-1/4" | 1 |
| 36 | X9294 | Pump Protection Filter | 1 |
| 37 | X8025 | Wheel Black, 4" x 1-1/4" | 2 |
| 38 | X8235 | Washer 1/4" Flat Zinc | 4 |
| NOT SEEN IN SCHEMATIC | | | |
| | X9149 | Gasket Between Tanks 1 x 14.25 | 1 |

Truvox International Ltd.,
 Third Avenue, Millbrook,
 Southampton. Hampshire.
 SO15 0LE.
 Service & Spares: 023 80706601
 Customer Services: 023 80706600
 General Enquiries: 023 80702200

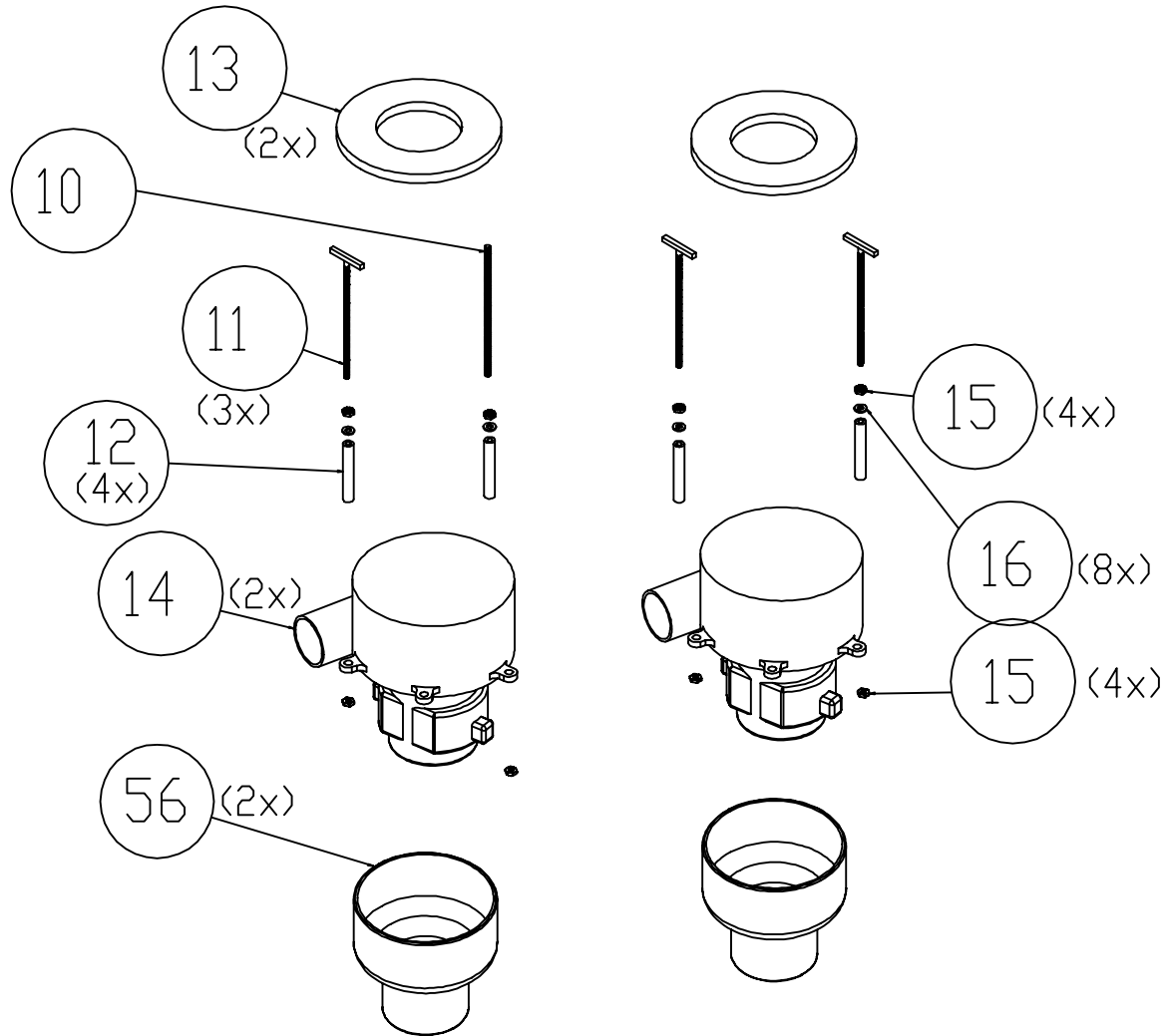
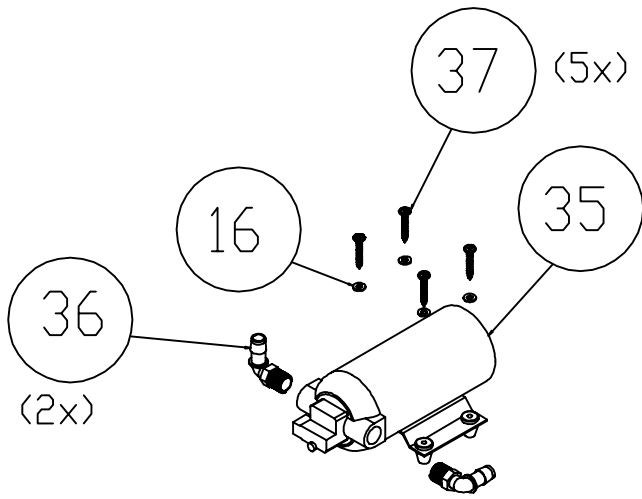


| | | | | | | | | |
|----------|--------|-----|-----------------|----|---------|-----------------------------------|--|-----------------|
| | | | | | SCALE | TITLE | | |
| | | | | | NTS | HM55/100 GENERIC SERVICE DRAWINGS | | |
| | | | | | CHECKED | PRODUCT | | |
| | | | | | M.D.C. | HM55/100 | | DRAWING/PART No |
| 03.11.08 | | A | NEW DRAWING | MC | DRN | 09-1103-0000 | | A4 |
| DATE | CRO No | ISS | REVISION RECORD | DR | CHK | M.D.C. | | |

| Drawing Ref. | Part Number | DESCRIPTION | Qty Per |
|--|---------------|--|------------|
| SERVICE SHEET DRAWING REFERENCE 09-1103-0000 PAGE 2 & 3 | | | |
| BASE ASSEMBLY | | | |
| 1 | 72620ABREPRO+ | Base, PFX1350, Black | 1 |
| 2 | 72633A | Axle, 23.375" long | 1 |
| 3 | PX106B+ | Wheel, 12" With 3/4" Bore Black | 2 |
| 4 | 7GL002 | Push Nut, 1/2" | 2 |
| 5 | 7CM007 | Washer, 1/2 USS Flat, 18-8 SS | 4 |
| 6 | 72634A | Bushing, 1/2" ID X 3/4" OD X 2-1/4" long | 2 |
| | 72635A | Spacer, 1/2" ID X 3/4" OD X 1/4" long - Supplied With 72634A | 2 |
| 7 | 72640A | Gasket, Vac Manifold, long | 2 |
| 8 | 72623A | Cover, Vacuum Manifold, long | 2 |
| 9 | 7CW002 | Screw, #6 X 3/4 Phil Pan TS, Type A 18-8 SS | 26 |
| 10 | 72000A | Rod, 3/16 X 5-1/2, All Thread Stud, 18-8 SS | 1 |
| 11 | X9204+ | Rod, 10-24, "T" Bolt | 3 |
| 12 | 72651A | Spacer, VAC Motor, 2.375" Long | 4 |
| 13 | 70020B | Gasket, Vacuum Motor Seal | 2 |
| 14 | 1989-IE+ | Vacuum Motor, 2-Stage, 230 VAC, High Suction | 2 |
| 15 | 7BF003 | Nut, Kep, #10-24 Zinc | 4 |
| 16 | 7CM003 | Washer, #10 USS Flat, 18-8 SS | 8 |
| 17 | 72624A | Cover, Vacuum Manifold, Short | 1 |
| 18 | 72641A | Gasket, Vacuum Manifold, Short | 1 |
| 19 | X9069+ | End Loop, SS, w/ 2 holes, 16G | 1 |
| 20 | X9157+ | Cover, Pressure Regulator Plate | 1 |
| 21 | 72173A | Spring Clip, Black Vinyl Coated | 1 |
| 22 | 72636A | Cover Plate, Bottom | 1 |
| 23 | 72388A | Screw, #10 X 5/8, Tap Phil, SS Pan Head | 6 |
| 24 | PX65+ | Caster, 4" Black | 2 |
| 25 | 7DT001 | Bolt, 5/16-18 X 5/8, Heax Tap Zinc | 8 |
| 26 | 72387A | Screw, #8 X 5/8, Black, Tap Phil, Pan Head | 8 |
| 27 | 72661A | Wand Holder | 1 |
| 28 | 72662A | Screw, #10 X 1/2, Phil Flat SM, Black, Undercut Head | 3 |
| 29 | PX6+ | 1/4 X 1/4 Female Quick Disconnect, Brass | 1 |
| 30 | 7CX002 | Nipple, Hex 1/4 MPT | 1 |
| 31 | X8239+ | Washer, 1/2" USS Flat Zinc | 1 |
| 32 | PC38+ | Connector, Double Thread, Female, 1/4" to 1/4" Coupling | 1 |
| 33 | 72642A | Gasket, Vac Manifold, Circle | 1 |
| 34 | 72625A | Cover, VAC Manifold, Circle | 1 |
| 35 | FJ2002+ | Pump, 100 PSI w/ By-Pass, EPDM Valves | 1 |
| 36 | PX15+ | Fitting, 90° Nylon Elbow, 3/8" NPT X 3/8" Ho se Barb | 2 |
| 37 | 71644A | Screw, #10 X 1", Phil Pan, TS, Type A 18-8 SS | 5 |
| 38 | 7BS003 | Screw, 1/4-20 X 1/2, Phil Pan, MS 18-8 SS | 4 |
| 39 | X9014+ | Hinge | 2 |
| 40 | 7BF008 | Nut, KEP, 10-32 Zinc | 2 |
| 41 | X9000+ | Receptacle, Male Flange | 1 |
| 42 | X8243+ | Screw, 6-32 x 3/4" Phil Pan | 2 |
| 43 | X9131-T1+ | Cord Panel | 1 |
| 44 | X9096+ | Flip Door/Hinge & Spring SCE | 1 |
| | | Gasket, Flip Dorr SCE 3/32" EPDM | 1 |
| 45 | X9177+ | Screw, 1/4-20 X 1-3/4 PH Ext Tooth Washer Full Thread | 2 |
| 46 | 72665A | Insert, Tee Nut, 1/4-20 Thread, 1/2 High, .305 Barrel Dia. | 2 |
| 47 | 72701A | Fan Cooling 230V | 1 |
| 48 | X9098+ | Screw, #10 X 1", A point, PH Pan Head | 2 |
| 49 | X9178+ | Foam, Cord Panel | 1 |
| 50 | X8274+ | Screw, 8-32 x 2-1/2" Phil Pan | 2 |
| 51 | X8225+ | Washer #10 Small SAE Flat | 12 |
| 52 | 72702A | Cover Fan | 1 |
| 53 | X8260+ | Nut 8-32 Lock w/ nylon insert | 4 |
| 54 | X8851+ | Screw, 10-32 X Phil Pan | 2 |
| 55 | X8257+ | Nut, 6-32 Lock w/ nylon Insert | 2 |
| 56 | 70522A | Coupling Cooling Air Inlet | 2 |
| 57 | 05-4609-0000 | Mains Cable UK Plug - Not Shown | 1 |
| | 05-4610-0000 | Mains Cable Euro Plug - Not Shown | 1 |
| ITEMS NOT SHOWN ON DRAWING | | | |
| 58 | 72668A | Shim, Spring Clip | 1 |
| 59 | 72669A | Pad, Spring Clip | 1 |
| 60 | 7CZ001 | Vacuum Hose 2" | Cut Length |

| Drawing Ref. | Part Number | DESCRIPTION | Qty Per |
|---------------------|--------------------|--|----------------|
| 61 | PX215+ | Clamp, 2-1/2" Worm Gear Stainless hex Slot | 4 |
| 62 | 7BF030 | Nut 10-24 Lock w/ nylon insert | 4 |
| 63 | K1112+ | Cuff Assmbly 1-1/2" Grey | 2 |
| 64 | X8284+ | Screw, 8-32 x 3/8" " Phil Pan | 2 |
| 65 | X8283+ | Washer 9-32"ID x 1"OD x 0.50THK ST/ST | 1 |

Truvox International Ltd.,
 Third Avenue, Millbrook,
 Southampton. Hampshire.
 SO15 0LE.
 Service & Spares: 023 80706601
 Customer Services: 023 80706600
 General Enquiries: 023 80702200



| | | | | | | | | |
|----------|--------|-----|-----------------|----|---------|-----------------------------------|--|-----------------|
| | | | | | SCALE | TITLE | | |
| | | | | | NTS | HM55/100 GENERIC SERVICE DRAWINGS | | |
| | | | | | CHECKED | PRODUCT | | |
| | | | | | M.D.C. | HM55/100 | | DRAWING/PART No |
| 03.11.08 | | A | NEW DRAWING | MC | DRN | 09-1103-0000 | | A4 |
| DATE | CRO No | ISS | REVISION RECORD | DR | CHK | | | |