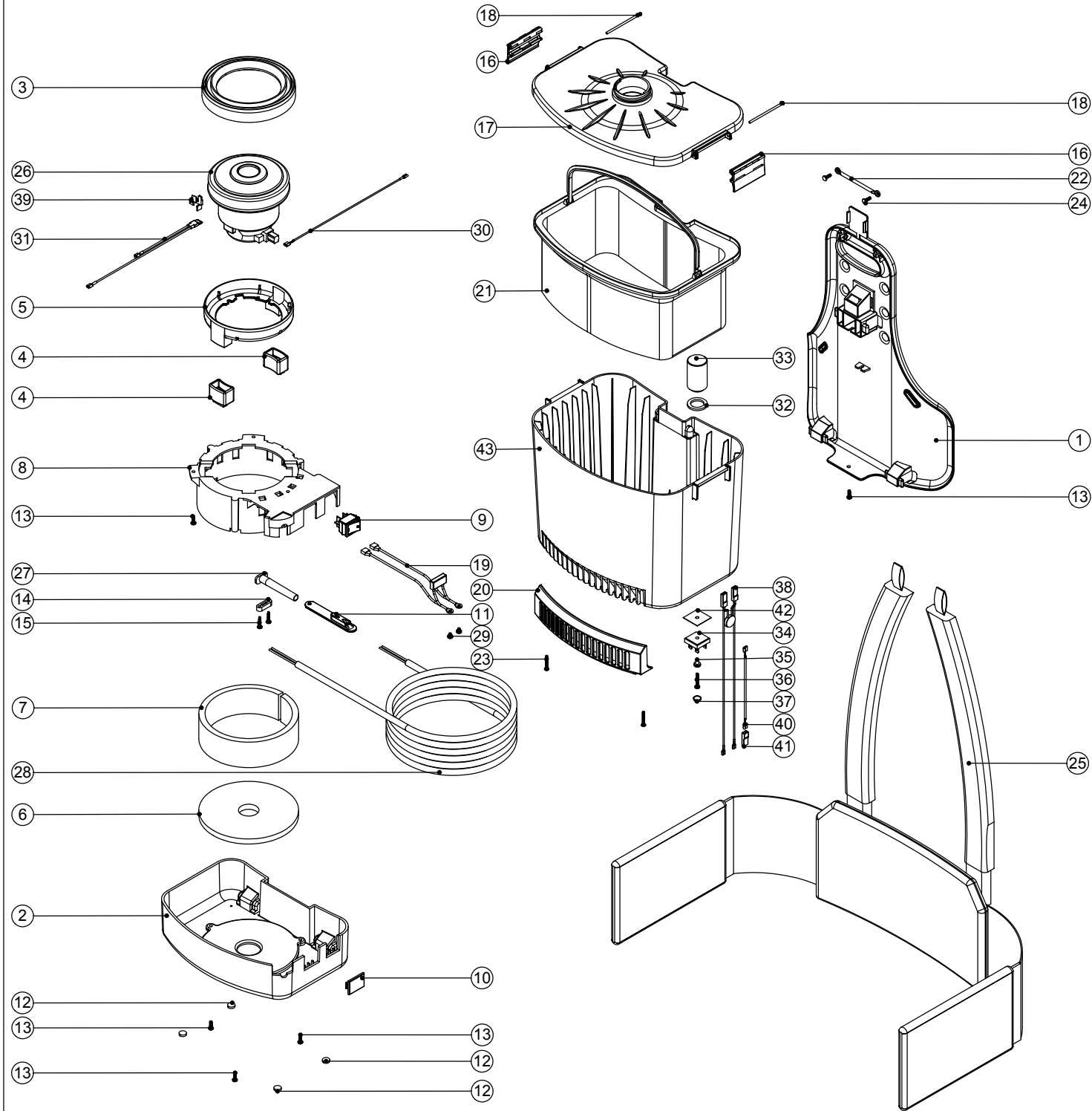


Numatic International Spare Parts

Model No: RSAV 130

234154
DRAWING: EXP-0585 ISS:A02
13/10/2005



Numatic International Spare Parts

Model No: RSAV 130

POS:	ITEM NO:	DESCRIPTION:	COMMENTS:
1	206504	BACK SUPPORT MOULDING (SHORT)	
2	227184	BASE MOULDING	
3	202065	BOTTOM MOTOR GASKET	
4	202087	TOP MOUNTING RUBBER	
5	206420	ES MOTOR SPACER (BLACK)	
6	203016	TOP FELT	
7	203017	SIDE FELT	
8	325025	BLACK MOTOR HOUSING MOULDING	
11	220164	CABLE STRAIN RELIEF	
12	206322	RUBBER FOOT BLACK	
13	219101	No8 X 1/2 INCH LONG POZI PAN PLASTIITE SCREW	
14	227008	BLACK CABLE CLAMP	
15	219107	No6 X 5/8 INCH LONG POZI PAN PLASTITE SCREW	
16	227186	TOGGLE MOULDING	
17	227183	LID MOULDING	
9	220552	RED ROCKER SWITCH	
10	206431	BLANKING PLATE	
18	206326	TOGGLE PIN	
19	220142	SUPPRESSOR ASSEMBLY	
20	227199	DIFFUSER MOULDING	
21	207111	FILTER ASSEMBLY	
22	206353	HARNESS PIN	
23	219602	No6 X 1 INCH LONG POZI PAN PLASTITE SCREW	
24	219601	No8 X 3/8 INCH LONG POZI PAN PLASTITE SCREW	
25	206462	RSV HARNESS ASSEMBLY	
26	320622	120V AIRCRAFT SPEC MOTOR	
27	220923	STRESS RELIEF	
28	220311	MAINS CABLE (2 WIRE/NO PLUG)	
29	219090	M4 X 8MM LONG POZI PAN SEMS SCREW	
30	320286	240MM LONG WHITE LINK WIRE	
31	220938	BIMETALLIC OVERLOAD ASSEMBLY	
32	219178	EXPAND NEOPRENE WASHER	
33	219177	ALUMINIUM HEAT SINK	
34	220021	RECTIFIER	
35	219615	CAP RING	
36	219267	M4 X 20MM LONG POZI PAN SEMS SCREW	
37	219616	COVER CAP	
38	320298	ZENAMIC/MOTOR LEAD ASSEMBLY	
39	206490	OVERLOAD CLIP	
40	320091	120MM LONG BROWN LINK WIRE	
41	220395	6.35 TAB INSULATOR	
42	220521	INSULATION PLATE	
43	328060	GREY BODY MOULDING PRINTED	
44	218012	NVM-1C/2 DISPOSABLE TRAPIT BAB	NOT SHOWN